

ZEUS HYDRATECH LTD
Global Suppliers of Premium Hydraulic Components

Official UK Distributor for Continental Hydraulics

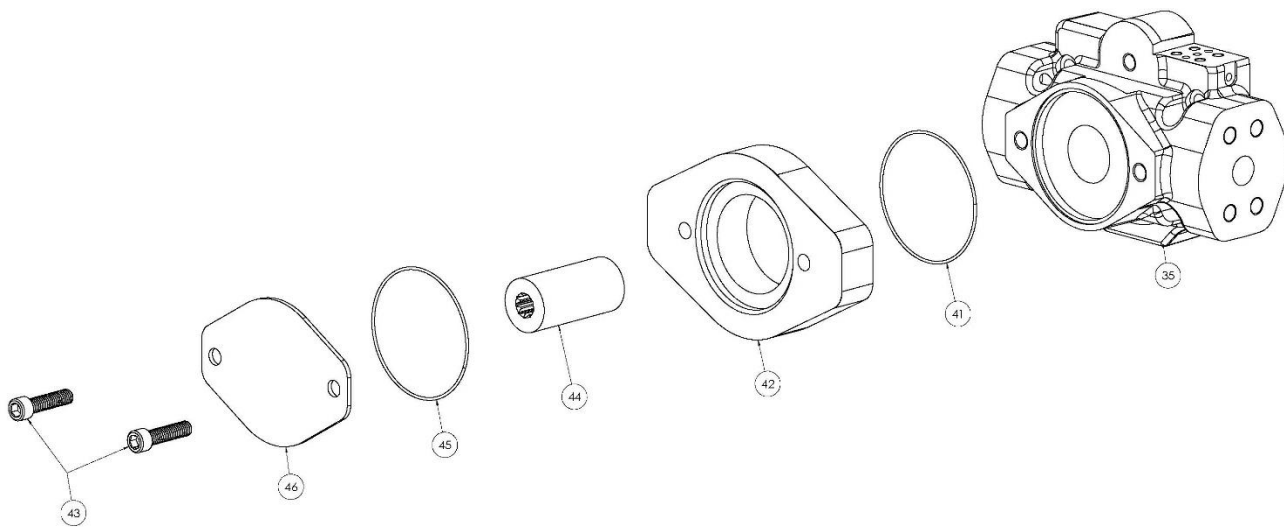
T: +44(0)1172 130042. E: sales@zeushydratech.com. W: zeushydratech.com

Item Number	General Description	SL8 Description	Model Code	Part Number	Qty in Pump
1	Shaft Seal Retaining Ring	RING RTNG INTL 45MM DIA BORE HPVR-6/10	All	258327	1
2	Shaft Seal	SEAL LIP 25X45X10 70D BUNA HPVR-6/10	O	258081	1
		SEAL LIP 25X45X10 70D VITON HPVR-6/10	P	258299	
3	Housing	HOUSING HPVR-10 1R/1S 5S	1R	1022097	1
		HOUSING HPVR-10 2R/2S 4S	2R	1024641	
		HOUSING HPVR-10 1R/1S 5S	1S	1022097	
		HOUSING HPVR-10 2R/2S 4S	2S	1024641	
		HOUSING HPVR-10 2R/2S 4S	4S	1024641	
		HOUSING HPVR-10 1R/1S 5S	5S	1022097	
4	Trunnion O-Ring	O-RING AS568-020 .864X1.004X.070 NB 70D	O	259675	2
		O-RING AS568-020 .864X1.004X.070 V 75D	P	107111	
5	Trunnion Cap	TRUNNION CAP HPVR-10	All	1022117	2
6	Trunnion Bolts	SCR CAP HEX SCH 1/4-20X3/4	All	1022709	12
7	Case Drain Plug	PLUG SAE 10X BUNA-N HX ALY STL	O-1R	259414	1
		PLUG BSPP 1/2X BUNA-N HEX SOKT	O-2R	258525	
		PLUG SAE 10X BUNA-N HX ALY STL	O-1S	259414	
		PLUG BSPP 1/2X BUNA-N HEX SOKT	O-2S	258525	
		PLUG BSPP 1/2X BUNA-N HEX SOKT	O-4S	258525	
		PLUG SAE 10X BUNA-N HX ALY STL	O-5S	259414	
		PLUG SAE 10X VITON HX ALY STL	P-1R	259415	
		PLUG BSPP 1/2 X VITON HXSKT	P-2R	260662	
		PLUG SAE 10X VITON HX ALY STL	P-1S	259415	
		PLUG BSPP 1/2 X VITON HXSKT	P-2S	260662	
		PLUG BSPP 1/2 X VITON HXSKT	P-4S	260662	
		PLUG SAE 10X VITON HX ALY STL	P-5S	259415	
8	Tag	ESC BLNK HPVR 3.12X.94X.032 AL-BLU	All	259092P	1
9	Tag Screws	SCR STICK SLFTPG #3-48X.1562 HEX HD ZINC	All	250597	2
10	Ball Bearing Retaining Ring	RING RTNG INTL 62MM DIA BORE HPVR-10	All	258331	2
11	Ball Bearing	BRNG BALL SSR 25MM X 62MM X 17MM HPVR-10	All	258192	1
12	Shaft Key	KEY PRL 1/4X1/4X1 HPVR-10	NON CODE 12	101580	1
13	Shaft	SHAFT HPVR-10 KEYED	STD	1023123	1
		SHAFT HPVR-10 SPLINED	12	1022976	
		SHAFT HPVR-10 KEYED TANDEM	21	1023657	
			22		
			23		
			31		
SHAFT HPVR-10 SPLINED TANDEM	1221	1023660			

			1222		
			1223		
			1231		
		SHAFT HPVR-10 KEYED TANDEM	21D	1023657	
			22D		
			23D		
			31D		
		SHAFT HPVR-10 SPLINED TANDEM	1221D	1023660	
			1222D		
			1223D		
			1231D		
14	Shaft Retaining Ring	RING RTNG EXT .984 DIA SHAFT HPVR-6/10	All	258290	2
15	Kicker Spring	SPR CPRSN .908X1.178X2.599X51.6LB/IN	All	258303	1
16	Kicker Sping Seat	SEAT SPRING HPVR-10	All	259499	1
17	Trunnion Bushing	BUSHING TRUNNION HPVR-10	All	1022119	2
18	Hanger	HANGER HPVR-10	All	1022267	1
19	Wear Plate	WEAR PLATE HPVR-10	All	1022203	1
20	Pluger Wear Plate	WEAR PLATE PISTON HPVR-6/HPVR-10	All	1022789	1
21	Piston	PISTON AND SHOE ASSEMBLY HPVR-10	All	1021995	9
22	Guide Plate	GUIDE PLATE HPVR-10	All	1022901	1
23	Guide Ball	GUIDE BALL HPVR-10	All	1022902	1
24	Barrel Pin	PIN DWL 2.5MMX26MM ALY STL HT HPVR-10	All	258104	3
25	Barrel	BARREL HPVR-10	All	1022199	1
26	Barrel Washer	WASHER BARREL HPVR-10	All	1024789	2
27	Barrel Spring	SPRING BARREL HPVR-10	All	1024790	1
28	Barrel Retaining Ring	RING RTNG INTL 1.312IN DIA BORE HPVR-10	All	1024467	1
29	Plunger	PLUNGER HPVR-10	All	258938	1
30	Guide Sleeve	GUIDE SLEEVE HPVR-10	All	258940	1
31	Port Plate	PORT PLATE HPVR-10 RF	RF	1023125	1
		PORT PLATE HPVR-10 LF	LF	1024640	
32	Port Plate Clocking Pin	PIN DWL 5MMX10MM ALY STL HDN	All	258337	1
33	Needle Bearing	BEARING NEEDLE REAR SHAFT HPVR-10B40	All	1024477	1
34	Gasket	GSKT COVER HPVR-10 ARMSTRONG S-8091 .015	All	258425	1
35	Cover	COVER HPVR-10B40 RF 1R	RF-1R	1022208	1
		COVER HPVR-10B40 RF 2R	RF-2R	1024660	
		COVER HPVR-10B40 RF 1S	RF-1S	1026555	
		COVER HPVR-10B40 RF 2S	RF-2S	1026355	
		COVER HPVR-10B40 RF 4S	RF-4S	1025827	
		COVER HPVR-10B40 RF 5S	RF-5S	1026556	
		COVER HPVR-10B40 RF 1S TANDEM	RF-1S21	1026557	
			RF-1S22		

			RF-1S23		
			RF-1S31		
		COVER HPVR-10B40 RF 2S TANDEM	RF-2S21D	1026558	
			RF-2S22D		
			RF-2S23D		
			RF-2S31D		
		COVER HPVR-10B40 RF 4S TANDEM	RF-4S21D	1026559	
			RF-4S22D		
			RF-4S23D		
			RF-4S31D		
		COVER HPVR-10B40 RF 5S TANDEM	RF-5S21	1026560	
			RF-5S22		
			RF-5S23		
			RF-5S31		
		COVER HPVR-10B40 LF 1R	LF-1R	1024663	
		COVER HPVR-10B40 LF 2R	LF-2R	1024664	
		COVER HPVR-10B40 LF 1S	LF-1S	1026566	
		COVER HPVR-10B40 LF 2S	LF-2S	1026567	
		COVER HPVR-10B40 LF 4S	LF-4S	1026568	
		COVER HPVR-10B40 LF 5S	LF-5S	1026569	
		COVER HPVR-10B40 LF 1S TANDEM	LF-1S21	1026570	
			LF-1S22		
			LF-1S23		
			LF-1S31		
		COVER HPVR-10B40 LF 2S TANDEM	LF-2S21D	1026571	
			LF-2S22D		
			LF-2S23D		
			LF-2S31D		
		COVER HPVR-10B40 LF 4S TANDEM	LF-4S21D	1026572	
			LF-4S22D		
			LF-4S23D		
			LF-4S31D		
		COVER HPVR-10B40 LF 5S TANDEM	LF-5S21	1026573	
			LF-5S22		
			LF-5S23		
			LF-5S31		
36	Compensator Kits	KIT HPVR COMP STD	O-1R	261097	1
		KIT HPVR COMP CODE 7	O-1R7	261099	
		KIT HPVR COMP CODE 7 BSPP	O-2R7	261101	
		KIT HPVR COMP CODE 19	O-1R19	261103	
		KIT HPVR COMP CODE 19 BSPP	O-2R19	261105	
		KIT HPVR COMP STD CODE P	P-1ROMIT	261098	
		KIT HPVR COMP CODE 7 P	P-1R7	261100	
		KIT HPVR COMP CODE 7 P BSPP	P-2R7	261102	
		KIT HPVR COMP CODE 19 P	P-1R19	261104	
		KIT HPVR COMP CODE 19 P BSPP	P-2R19	261106	

37	Cover Bolts	SCR CAP HEX SCH M10X1.5mmX50mm	All	199985	4
38	Volume Adjuster	MAX VOLUME ADJ SCREW HPVR-6/10	All	258959	1
39	Thread Seal Washer	SEAL THD .750x.064 NB 70D 750-3/8	O	258412	1
		SEAL THD .750 X .064 V 70D 750-3/8	P	258434	
40	Volume Adjustment Nut	Nut Jam HH 3/8-16 Zinc	All	199127	1



Tandem Option Parts List

41	Adaptor Cover O-Ring	O-RING AS568-042 3.239X3.379X.070 NB 70D	O-21	120689	1
			O-22		
			O-31		
			O-21D		
			O-22D		
			O-31D		
		O-RING AS568-042 3.239X3.379X.070 V 75D	P-21	141714	
			P-22		
			P-31		
			P-21D		
			P-22D		

			P-31D		
42	Adtaptor Plate	ADAPTOR TANDEM "A" FLANGE HPVR	21	450634	1
		ADAPTOR TANDEM "B" FLANGE HPVR	22	450635	
		ADAPTOR TANDEM "A" FLANGE HPVR	31	450634	
		ADAPTOR TANDEM "A" FLANGE HPVR	21D	450634	
		ADAPTOR TANDEM "B" FLANGE METRIC HPVR	22D	1024672	
		ADAPTOR TANDEM "A" FLANGE HPVR	31D	450634	
43	Adtaptor Bolts	SCR CAP HEX SCH 3/8-16X1-1/2	21	1024654	2
		SCR CAP HEX SOC BTNHD 3/8-16X3/4	22	199682	
		SCR CAP HEX SCH 3/8-16X1-1/2	31	1024654	
		SCR CAP HEX SCH M10X1.5X35	21D	1024674	
		SCR CAP HEX SCH M10X1.5X20	22D	1024673	
		SCR CAP HEX SCH M10X1.5X35	31D	1024674	
44	Spline Coupling	SPLINE COUPLING HPVR-10 CODE 21	21	1024761	1
		SPLINE COUPLING HPVR-10 CODE 22/31	22	1024760	
			31		
		SPLINE COUPLING HPVR-10 CODE 21	21D	1024761	
		SPLINE COUPLING HPVR-10 CODE 22/31	22D	1024760	
			31D		
45	Adaptor O-Ring	O-RING AS568-042 3.239X3.379X.070 NB 70D	O-21	120689	1
		O-RING AS568-151 2.987X3.193X.103 NB 70D	O-22	144929	
		O-RING AS568-042 3.239X3.379X.070 NB 70D	O-31	120689	
			O-21D		
		O-RING AS568-151 2.987X3.193X.103 NB 70D	O-22D	144929	
		O-RING AS568-042 3.239X3.379X.070 NB 70D	O-31D	120689	
		O-RING AS568-042 3.239X3.379X.070 V 75D	P-21	141714	
		O-RING AS568-151 2.987X3.193X.103 V 75D	P-22	144966	
		O-RING AS568-042 3.239X3.379X.070 V 75D	P-31	141714	
			P-21D		
		O-RING AS568-151 2.987X3.193X.103 V 75D	P-22D	144966	

		O-RING AS568-042 3.239X3.379X.070 V 75D	P-31D	141714	
46	Shipping Cover	COVER FLANGE PROTECTOR CODE 21/21D31/31D	21	147655	1
		COVER FLANGE PROTECTOR CODE 22/22D	22	164598	
		COVER FLANGE PROTECTOR CODE 21/21D31/31D	31	147655	
			21D		
		COVER FLANGE PROTECTOR CODE 22/22D	22D	164598	
COVER FLANGE PROTECTOR CODE 21/21D31/31D	31D	147655			
47	Shipping Cover Retainer	NULL	21	NULL	NULL
		PLUG PLSTC CAP TPR .425X.480 W-4 RED	22	008345	2
		NULL	31	NULL	NULL
			21D		
		PLUG PLSTC CAP TPR .425X.480 W-4 RED	22D	008345	2
NULL	31D	NULL	NULL		

HPVR-10 Kits	
ITEM	Description
1025389	KIT ROTATING GROUP HPVR-10 RF
1025394	KIT ROTATING GROUP HPVR-10 LF
1025399	KIT SEAL BUNA HPVR-10
1025404	KIT SEAL VITON HPVR-10