

ZEUS HYDRATECH LTD

Global Suppliers of Premium Hydraulic Components

Email: sales@zeushydratech.com
Tel: +44(0)1172 130042

HPVR-10 AXIAL PISTON PUMPS



The HPVR series of inline axial piston variable displacement pumps, are available in five displacements and three compact frame sizes. These pumps feature medium-high working pressure capabilities that will meet most applications. The output flow and pressure is controlled by a variety of control options, and can easily work in conjunction with external control components making them the perfect choice for almost any application. The HPVR series pumps are available in both SAE and ISO mounting 2 bolt patterns. Porting is available in rear and side locations as well as thru-drive

TYPICAL PERFORMANCE SPECIFICATIONS			
VOLUMETRIC DISPLACEMENT		cu. In./rev.	1.26
		ml/rev.	21.1
PUMP DELIVERY @ 1750 RPM	Theoretical	GPM	9.9
		LPM	37.5
OPERATING PRESSURES	Intermittent*	PSI	4500
		BAR	310
	Continuous	PSI	4000
		BAR	275
Minimum**	PSI	200	
	BAR	14	
OPERATING SPEEDS		Maximum RPM	3000
		Rated RPM	1750
		Minimum RPM	500
INPUT POWER @ 1750 RPM (Rated Flow and Pressure)		HP	27
		Kw	20.1
CASE DRAIN FLOW @ Deadhead & Rated Pressure		GPM	0.7
		LPM	2.6
MOUNTING FLANGE		SAE Type	"B" 2 bolt
DRIVE SHAFT		Keyed Shaft SAE J744 B	.875 in
		Spline Shaft SAE B	13 Tooth
SHIPPING WEIGHTS	REAR PORTS	lbs	39
		kg	17.7
	SIDE PORTS	lbs	50
		kg	22.7
	SIDE PORTS	lbs	52
		TANDEM	kg

* This pressure should not exceed 10% of the duty cycle and not exceed 6 consecutive seconds.

** Pumps operating at less than 150 PSI (10 Bar) may overheat and shorten pump life.

CASE AND INLET PORT SPECIFICATIONS

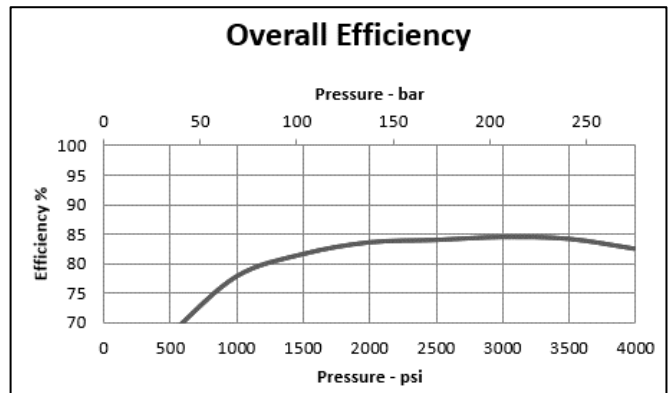
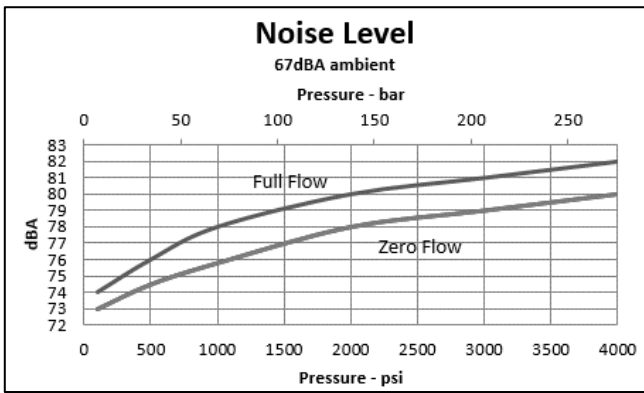
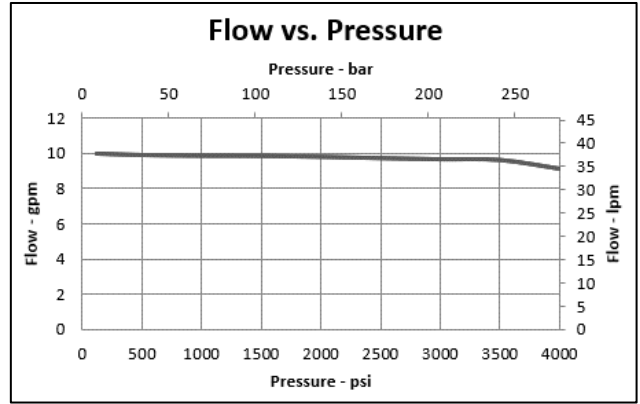
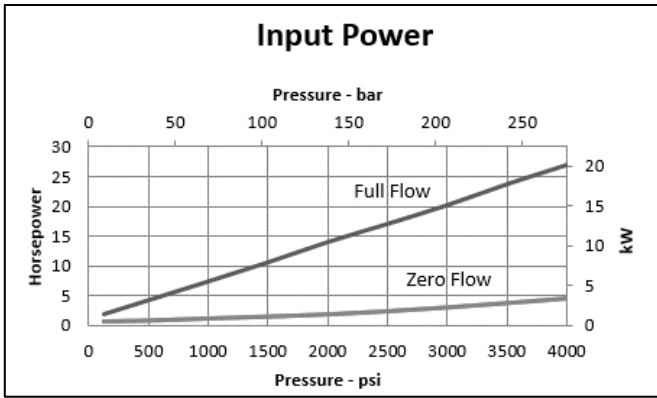
SPEED rpm	Minimum Inlet Pressure					Maximum Case Pressure			
	Pressure Gauge				Absolute Pressure		Case Pressure		
	psi	bar	in.-Hg	mm-Hg	psi	bar	psi	bar	
1800	-3	-0.21	-6.12	-155.46	11.7	0.8	10	0.69	
2050	-3	-0.21	-6.12	-155.46	11.7	0.81	7	0.48	
2100	-2.45	-0.17	-4.99	-126.72	12.25	0.8	5	0.34	
2200	-1.25	-0.09	-2.55	-64.8	13.45	0.9	5	0.34	
2300	0	0	0	0	14.7	1	5	0.34	
2400	1.31	0.09	2.66	67.88	16.01	1.1	5	0.34	

PRESSURE AND VOLUME ADJUSTMENT SENSITIVITY

Pressure Adjustment	Pressure Change / Turn	650 PSI	44.8 Bar
Volume Adjustment	Flow Change / Turn	2.8 GPM	10.6 LPM
	Maximum Torque	45 in.-lbs	5.1 Nm

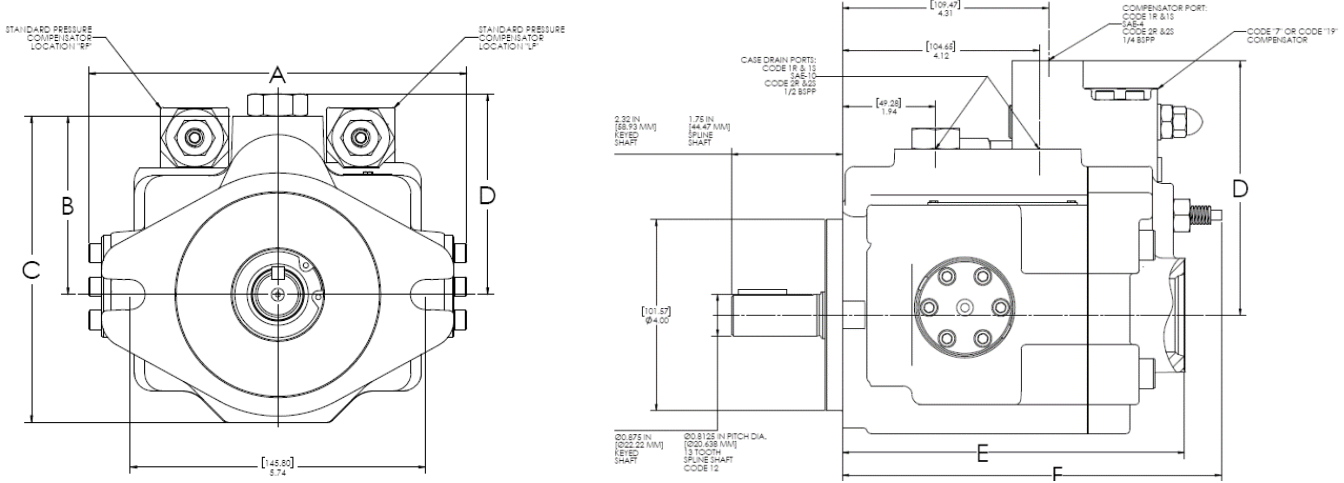


HPVR-10 AXIAL PISTON PUMPS

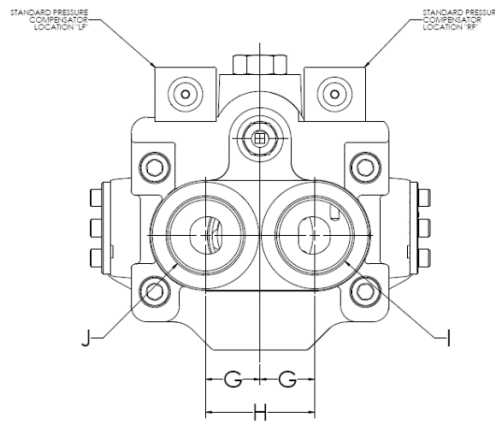


Data taken at 1800 RPM

Rear Port Dimension Data



Dimensional Reference Data	Inch (mm)
A	7.35 (186.7)
B	3.45 (87.6)
C	5.93 (150.6)
D (STD Pressure Compensator)	3.90 (99)
D (Code 7 Remote & Code 19 Load Sense)	5.32 (135.1)
E	7.15 (181.6)
F	7.92 (201.2)

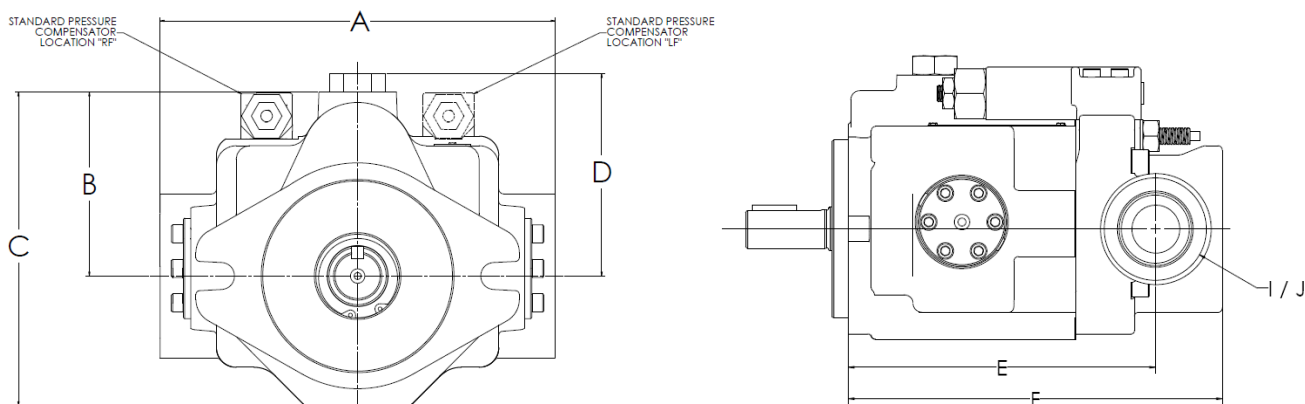


Dimensional Reference Data	Inch (mm)
G	1.18 (29.9)
H	2.36 (59.9)
I Code 1R - Rear SAE Porting	SAE-20
I Code 2R- Rear BSPP Porting	1-1/4 BSPP
J Code 1R - Rear SAE Porting	SAE-20
J Code 2R- Rear BSPP Porting	1-1/4 BSPP

HPVR-10 AXIAL PISTON PUMPS

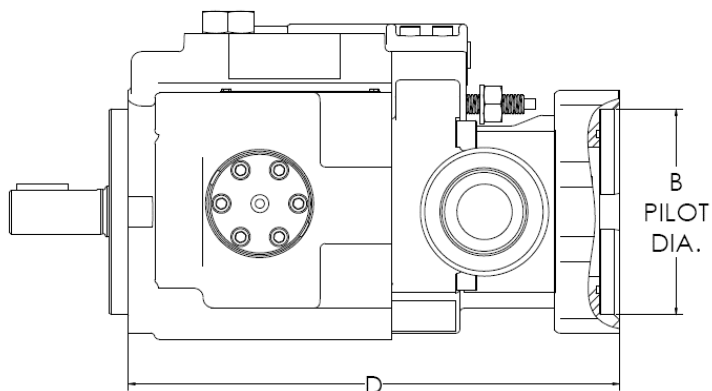
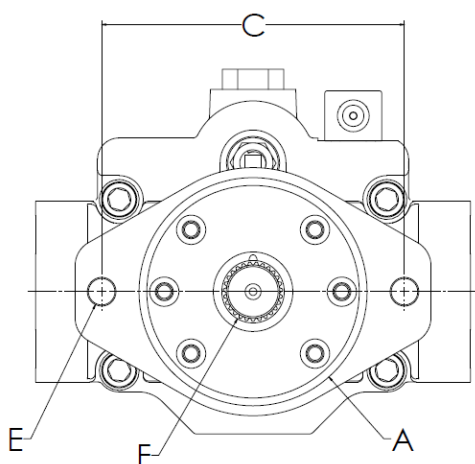


Side Port Dimension Data



Dimensional Reference Data	Inch (mm)
A	7.56 (192)
B	3.47 (88.1)
C	5.95 (151)
D (STD Pressure Compensator)	3.90 (99)
D (Code 7 Remote & Code 19 Load Sense)	5.32 (135.1)
E	6.92 (175.8)
F	8.44 (214.4)
I Code 1S - Side SAE Porting	SAE-20
I Code 2S- Side BSPP Porting	1-1/4 BSPP
J Code 1S - Side SAE Porting	SAE-20
J Code 2S- Side BSPP Porting	1-1/4 BSPP

HPVR-10 AXIAL PISTON PUMPS



CODE	MOUNTING PAD	DIMENSIONS Inches (mm)				Thread	30° Involute Internal F	Maximum H.P. Rating* (at 1750 RPM)	Maximum Torque Rating* (in-lbs)
		A	B	C	D				
21	SAE "A"	3.25 (82.6)	4.19 (106.4)	9.40 (238.8)	3/8-16 UNC	9 Tooth 16/32 Pitch 0.5625 Dia.	8.5	306	
22	SAE "B"	4.00 (101.6)	5.75 (146.1)	9.56 (242.8)	1/2-13 UNC	13 Tooth 16/32 Pitch 0.8125 Dia.	28.1	1012	
31	SAE "A"	3.25 (82.6)	4.19 (106.4)	9.56 (242.8)	3/8-16 UNC	13 Tooth 16/32 Pitch 0.8125 Dia.	28.1	1012	
21D	SAE "A"	3.25 (82.6)	4.19 (106.4)	9.40 (238.8)	M10	9 Tooth 16/32 Pitch 0.5625 Dia.	8.5	306	
22D	SAE "B"	4.00 (101.6)	5.75 (146.1)	9.56 (242.8)	M12	13 Tooth 16/32 Pitch 0.8125 Dia.	28.1	1012	
31D	SAE "A"	3.25 (82.6)	4.19 (106.4)	9.56 (242.8)	M10	13 Tooth 16/32 Pitch 0.8125 Dia.	28.1	1012	

* This is the maximum horsepower or torque that can be transmitted through the shaft coupling to the rear pump



SELECT OPTIONS AS REQUIRED

HPVR -



DESIGN LETTER

SIZE			
CODE	FLOW AT 1750 RPM	MAXIMUM PRESSURE	DISPLACEMENT
10B40	10 GPM	4000 PSI	in ³ /rev 1.26
			cm ³ /rev 21.1

ROTATION	
CODE	DESCRIPTION
RF (STD)	CW ROTATION
LF	CCW ROTATION

SEALS	
CODE	DESCRIPTION
O (STD)	BUNA-N
P	VITON

PORT OPTIONS	
CODE	DESCRIPTION
1R (STD)	SAE B 2 BOLT MOUNTING FLANGE SAE O-RING THREAD CASE DRAIN REAR SAE O-RING THREAD PORTS
2R	SAE B 2 BOLT MOUNTING FLANGE BRITISH STD PIPE (BSPP) THREAD CASE DRAIN REAR BSPP THREAD PORTS
1S	SAE B 2 BOLT MOUNTING FLANGE SAE O-RING THREAD CASE DRAIN SIDE SAE O-RING THREAD SIDE PORTS
2S	SAE B 2 BOLT MOUNTING FLANGE BRITISH STD PIPE (BSPP) THREAD CASE DRAIN SIDE BSPP THREAD PORTS

CONTROL OPTIONS	
CODE	DESCRIPTION
OMIT (STD)	PRESSURE COMPENSATOR
7	REMOTE COMPENSATOR
19	LOAD SENSING COMPENSATOR

TANDEM	
CODE	DESCRIPTION
OMIT (STD)	NO TANDEM OPTION
21	SAE "A" FLANGE PUMP MOUNT (UNC THREADS) SAE A SPLINE SHAFT COUPLING
22	SAE "B" FLANGE PUMP MOUNT (UNC THREADS) SAE B SPLINE SHAFT COUPLING
31	SAE "A" FLANGE PUMP MOUNT (UNC THREADS) SAE B SPLINE SHAFT COUPLING
21D	SAE "A" FLANGE PUMP MOUNT (METRIC THREADS) SAE A SPLINE SHAFT COUPLING
22D	SAE "B" FLANGE PUMP MOUNT (METRIC THREADS) SAE B SPLINE SHAFT COUPLING
31D	SAE "A" FLANGE PUMP MOUNT (METRIC THREADS) SAE B SPLINE SHAFT COUPLING

SHAFT	
CODE	DESCRIPTION
OMIT (STD)	STRAIGHT KEY SAE J744 B .875 inch SHAFT
12	FRONT MALE SPLINE SAE B: 13 TOOTH 16/32 Pitch

FORM NO. 1022375AE REV 11/2018 © CONTINENTAL HYDRAULICS INC. ALL RIGHTS RESERVED.
PRODUCT SPECIFICATIONS AND PERFORMANCE SUBJECT TO CHANGE WITHOUT NOTICE.