



# RQM\*K\*-P

## EXPLOSION-PROOF SOLENOID OPERATED PRESSURE RELIEF VALVES WITH UNLOADING AND PRESSURE SELECTION in compliance with ATEX 94/9/EC

**SERIES 10**

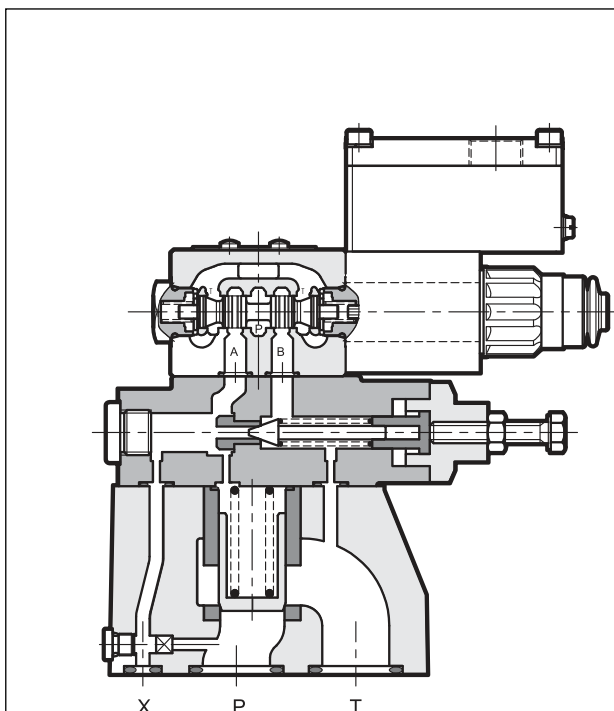
### SUBPLATE MOUNTING

**RQM3K\*-P ISO 6264-06 (CETOP R06)**

**RQM5K\*-P ISO 6264-08 (CETOP R08)**

**RQM7K\*-P ISO 6264-10 (CETOP R10)**

### OPERATING PRINCIPLE



Type examination certificate No.: CEC 13 ATEX 030-REV.2

- The RQM\*K\*-P valves are explosion-proof pressure relief valves, available in ISO 6264 (CETOP RP 121H) subplate mounting version with three nominal sizes for flow up to 500 l/min.
- They are compliant with ATEX 94/9/EC standards and are suitable for the use in potentially explosive atmospheres, that fall within the ATEX II 2GD (temperature class T4 or T5) or I M2, for mines. See par. 5 for ATEX classification, operating temperatures and electrical characteristics.
- The statement of conformity to the up-mentioned standards is always supplied with the valves.
- They are available in five versions that allow the unloading of the total flow and selection up to three pressure values (see paragraph 2 - Versions) by means of a solenoid valve.
- A low temperature version ( up to -40 °C) is available also.
- They are supplied with a hexagonal head adjustment screw. Upon request, it can be equipped with a SICBLOC adjustment knob on the main pressure control.
- The adjustment of the second and third pressure values is obtained by a pressure relief valve placed between the main stage and the solenoid valve.
- The valve is supplied with standard surface treatment of phosphating black for the main body and zinc-nickel for the pilot body. Upon request we can supply these valves completely with zinc-nickel surface treatment, suitable to ensure a salt spray resistance up to 600 h.

### PERFORMANCES (measured with mineral oil of viscosity 36 cSt at 50°C)

		<b>RQM3K*-P</b>	<b>RQM5K*-P</b>	<b>RQM7K*-P</b>
Maximum operating pressure	bar	350		
Maximum flow rate	l/min	200	400	500
Temperature range (ambient and fluid)		see at paragraph 5.5		
Fluid viscosity range	cSt	10 + 400		
Fluid contamination degree		According to ISO 4406:1999 class 20/18/15		
Recommended viscosity	cSt	25		



## 1 - IDENTIFICATION CODE

<b>R</b>	<b>Q</b>	<b>M</b>		<b>- P</b>	<b>/</b>	<b>/</b>	<b>/ 10</b>	<b>-</b>	<b>K9</b>	<b>/</b>			
----------	----------	----------	--	------------	----------	----------	-------------	----------	-----------	----------	--	--	--

Pilot operated pressure relief valve

Solenoid valve for unloading / pressure selection

Size: \_\_\_\_\_  
**3** = ISO 6264-06 (CETOP R06)  
**5** = ISO 6264-08 (CETOP R08)  
**7** = ISO 6264-10 (CETOP R10)

Explosion-proof version: \_\_\_\_\_  
 Protection type of the coil: "d"  
**KD2** = classified as ATEX II 2GD for gas or for dust  
**KDM2** = classified as ATEX I M2, for mines

Subplate mounting \_\_\_\_\_

Pressure adjustment range: \_\_\_\_\_  
**3** = up to 70 bar  
**5** = up to 210 bar  
**6** = up to 350 bar

Versions: **A** \_\_\_\_\_  
**B** } see description  
**C** } in the table 2 - versions  
**D** }  
**G** }

**M** = adjustment with SICBLOC knob \_\_\_\_\_  
 available only on the main pressure control  
 Omit for adjustment with hexagonal head screw

Series No. \_\_\_\_\_  
 (the overall and mounting dimensions remain unchanged from 10 to 19)

Seals: \_\_\_\_\_  
 For temperature range -20 / +80 °C  
**N** = NBR seals for mineral oil (**standard**)  
**V** = FPM seals for special fluids  
 For temperature range -40 / +80 °C  
**NL** = seal for low temperatures (for mineral oil)

Option: surface treatment not standard. Omit if not required (see **NOTE**)

Option: **/T5**  
 version in T5 temperature class.  
 See at par. 5.5  
 Omit if not required.

Manual override:  
**CM** = boot protected **standard for both N and V seals**  
 not available for NL seals  
**CB** = blind ring nut **standard for NL seals**  
 available upon request for both N and V seals  
 see at par. 11

Connection type for cable gland upper connection:  
**T01** = M20x1.5 - ISO 261  
**T02** = Gk 1/2 - UNI EN 10226-2  
**T03** = 1/2" NPT - ANSI B1.20.1 (ex ANSI B2.1)  
 side connection:  
**S01** = M20x1.5 - ISO 261  
**S02** = Gk 1/2 - UNI EN 10226-2  
**S03** = 1/2" NPT - ANSI B1.20.1 (ex ANSI B2.1)  
**S04** = M16x1.5 - ISO 261

Coil electrical connection: by terminal block

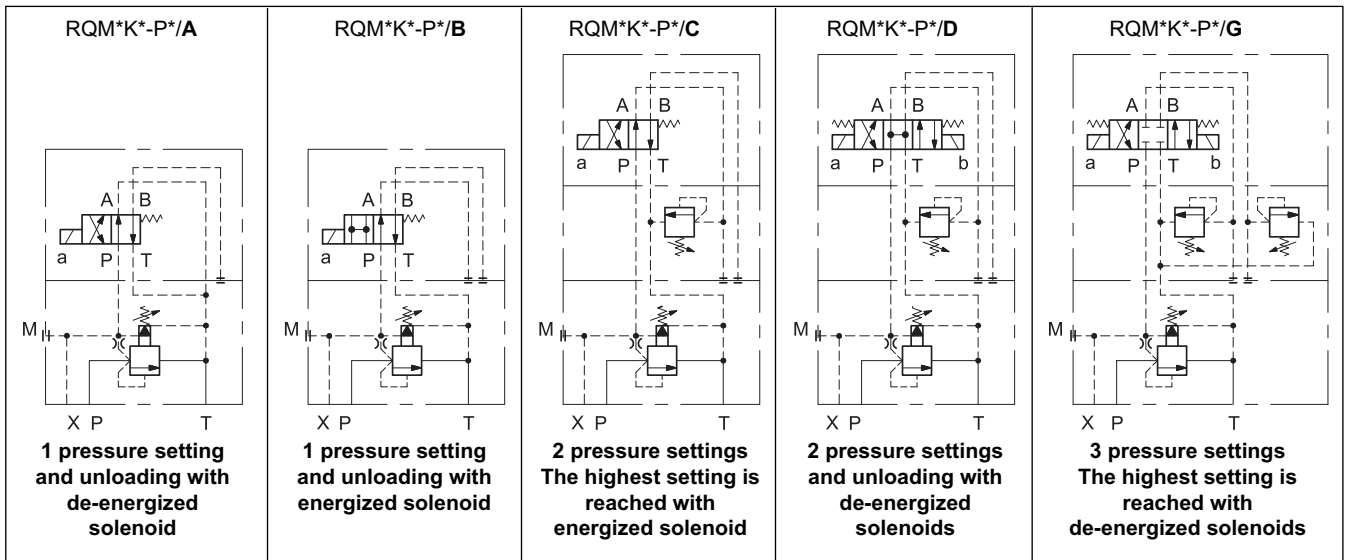
Power supply:  
 Direct current (DC)  
**D12** = 12 V  
**D24** = 24 V  
**D48** = 48 V  
**D110** = 110 V  
 Rectified current (RAC)  
**R120** = 120 V  
**R240** = 240 V

**NOTE:** the valves are supplied with standard surface treatment of phosphating black for the main body and zinc-nickel for the pilot body.

Upon request we can supply these valves with full zinc-nickel surface treatment, suitable to ensure a salt spray resistance up to 600 h (test operated according to UNI EN ISO 9227 standards and test evaluation operated according to UNI EN ISO 10289 standards).

For full zinc-nickel surface treatment add the suffix **/W7** at the end of the identification code.

## 2 - VERSIONS



## 3 - HYDRAULIC FLUIDS

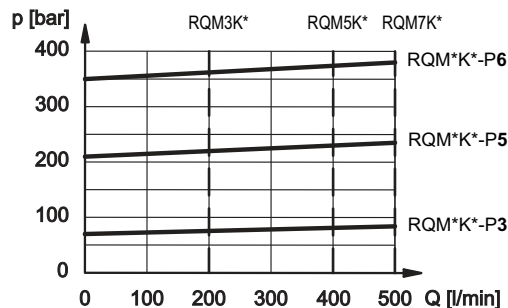
Use mineral oil-based hydraulic fluids HL or HM type, according to ISO 6743-4. For these fluids, use NBR seals (code N). For fluids HFDR type (phosphate esters) use FPM seals (code V). For the use of other kinds of fluid such as HFA, HFB, HFC, please consult our technical department.

Using fluids at temperatures higher than 80 °C causes a faster degradation of the fluid and of the seals characteristics. The fluid must be preserved in its physical and chemical characteristics.

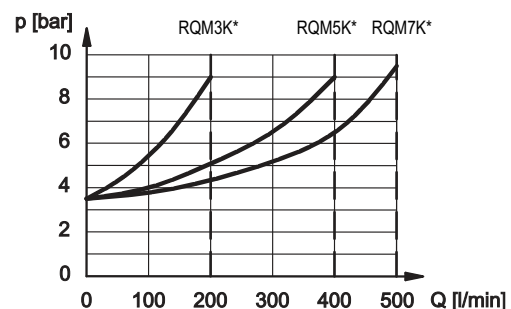
## 4 - CHARACTERISTIC CURVES

(values obtained with viscosity of 36 cSt at 50°C)

ADJUSTMENT



MINIMUM CONTROLLED PRESSURE



## 5 - ATEX CLASSIFICATION, OPERATING TEMPERATURES AND ELECTRICAL CHARACTERISTICS

Diplomatic certificates the combination valve-coil for the valves suitable for application and installation in potentially explosive atmospheres, according to ATEX directive prescriptions; **the supply always includes the declaration of conformity to the directive and the operating and maintenance manual, that contains all the information needed for a correct use of the valve in potentially explosive environments.**

Coils assembled on these valves have been separately certified according to ATEX directive and so they are suitable for use in potentially explosive atmospheres.

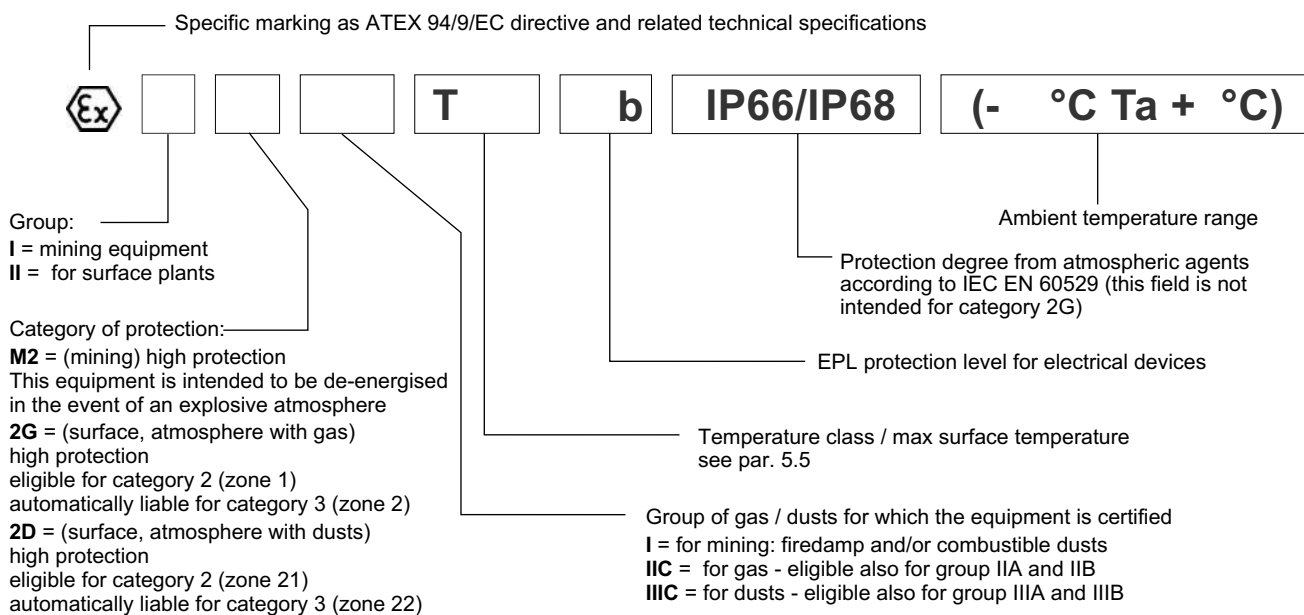
### 5.1 - ATEX classification for valves

The valves are suitable for applications and installations in potentially explosive atmospheres that fall within:

ATEX II 2G ATEX II 2D	<b>*KD2</b>	intended for use in areas in which explosive atmospheres caused by gases, vapours, mists or air/dust mixtures are likely to occur occasionally.
ATEX I M2	<b>*KDM2</b>	intended for use in underground parts of mines as well as those parts of surface installations of such mines likely to be endangered by firedamp and/or combustible dust. This equipment is intended to be de-energised in the event of an explosive atmosphere.

### 5.2 - ATEX marking for valves

valve code		N and V seals	NL seals
<b>*KD2</b>	for gas	II 2G IIC T4 Gb (-20°C Ta +80°C)	II 2G IIC T4 Gb (-40°C Ta +80°C)
	for dusts	II 2D IIIC T154°C Db IP66/IP68 (-20°C Ta +80°C)	II 2D IIIC T154°C Db IP66/IP68 (-40°C Ta +80°C)
<b>*KD2 /T5</b>	for gas	II 2G IIC T5 Gb (-20°C Ta +55°C)	II 2G IIC T5 Gb (-40°C Ta +55°C)
	for dusts	II 2D IIIC T129°C Db IP66/IP68 (-20°C Ta +55°C)	II 2D IIIC T129°C Db IP66/IP68 (-40°C Ta +55°C)
<b>*KDM2</b>	mining	I M2 I T150°C Mb IP66/68 (-20°C Ta +75°C)	I M2 I T150°C Mb IP66/68 (-40°C Ta +75°C)



### 5.3 - ATEX classification of the coils

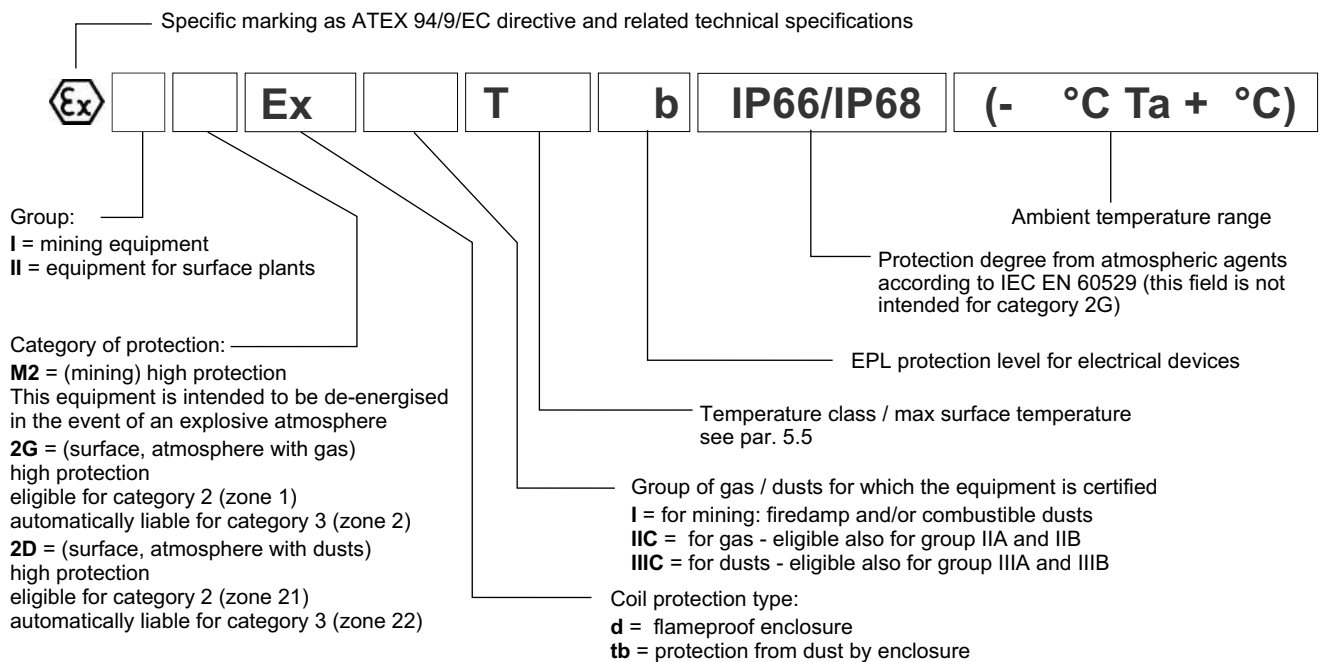
The coil of the explosion-proof valves is identified with its own tag, which carries the relative ATEX marking. **The mechanical construction of the coil housing is made in order to ensure its resistance to possible internal explosion and to avoid any explosion propagation to the outside environment, matching an “Ex d” type protection (explosion-proof coil).**

Moreover, the solenoid is designed to maintain its surface temperature below the limits specified to the relevant class.

The R\* coils (for alternating current supply) contain a built-in rectifier bridge.

### 5.4 - ATEX marking on coils

for valve type <b>*KD2</b>	for gas	II 2G Ex d IIC T4 Gb (-40°C Ta +80°C)
	for dusts	II 2D Ex tb IIIC T154°C Db IP66/IP68 (-40°C Ta +80°C)
for valve type <b>*KD2 /T5</b>	for gas	II 2G Ex d IIC T5 Gb (-40°C Ta +55°C)
	for dusts	II 2D Ex tb IIIC T129°C Db IP66/IP68 (-40°C Ta +55°C)
for valve type <b>*KDM2</b>	mining	I M2 Ex d I T150°C Mb IP66/IP68 (-40°C Ta +75°C)



### 5.5 - Operating temperatures

These valves are classified according to their maximum surface temperature (EN 13463-1), which must be lower than the ignition temperature of the gases, vapors and dusts for which the area in which they will be used is classified.

The valves in group II can also be used for less limiting temperature classes (surface temperature allowed higher).

		temperature range	N and V seals	NL seals	Temperature class	eligible also for
ATEX II 2G ATEX II 2D	<b>*KD2</b>	of ambient	-20 / +80 °C	-40 / +80 °C	T4 (gas) T154°C (dusts)	T3, T2, T1 T200°C and higher
		of fluid				
	<b>*KD2 /T5</b>	of ambient	-20 / +55 °C	-40 / +55 °C	T5 (gas) T129°C (dusts)	T4, T3, T2, T1 T135°C and higher
		of fluid	-20 / +60 °C	-40 / +60 °C		
ATEX I M2	<b>*KDM2</b>	of ambient	-20 / +75 °C	-40 / +75 °C	T150°C	-
		of fluid				



## 5.6 - Electrical characteristics (values $\pm 5\%$ )

Coil type	Nominal voltage [V]	Resistance at 20°C [Ω]	Current consumpt. [A]	Power consumpt. [W]
D12	12	7,2	1,7	20
D24	24	28,7	0,83	20
D48	48	115	0,42	20
D110	110	549	0,2	22

Coil type (NOTE)	Nominal voltage [V]	Freq. [Hz]	Resistance at 20°C [Ω]	Current consumpt. [A]	Power consumpt. [VA]
R120	110V-50Hz 120V-60Hz	50/60	489,6	0,19	21
				0,21	25
R240	230V-50Hz 240V-60Hz	50/60	2067,7	0,098	22,5
				0,1	24

**NOTE:** type R\* coils are for alternating current supply for both 50 or 60 Hz. For R\* coils the resistance can not be measured in the usual way because of the presence of diodes bridge inside the coil.

<b>VOLTAGE SUPPLY FLUCTUATION (ripple included)</b>	$\pm 10\% V_{nom}$
<b>MAX SWITCH ON FREQUENCY</b>	6.000 ins/hour
<b>DUTY CYCLE</b>	100%
<b>EXPLOSION-PROOF VERSION</b>	According to ATEX 94/9/EC
<b>ELECTROMAGNETIC COMPATIBILITY (EMC)</b>	According to 2004/108/EC
<b>CLASS OF PROTECTION:</b> Atmospheric agents Coil insulation (VDE 0580)	IP66 / IP68 class H

## 6 - ELECTRICAL CONNECTION

### 6.1 - Wiring

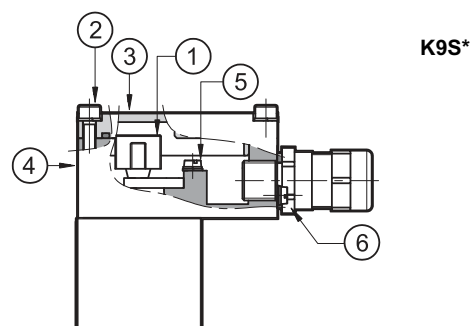
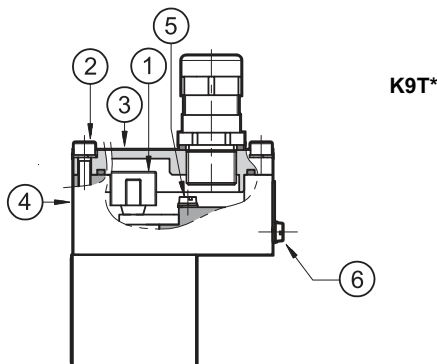
In order to realise the electrical connection of the coil, it is necessary to access the terminal block (1) unscrewing the 4 screws (2) that fasten the cover (3) with the box (4) that contains the terminal block.

**The electrical connection is polarity-independent.**

By doing electrical connection it is important to connect also the grounding point (5) in the terminal block box (M4 screws), through suitable conductors with the general grounding line of the system.

On the external body of the coil there is a grounding point (6) (M4 screw) that allow to ensure equipotentiality between the valve and the general grounding line of the system; connecting this point the regulation of the EN 13463-1 standard, that impose to verify the equipotentiality of the elements included in a potentially explosive environment (the maximum resistance between the elements must be 100 Ω), is guaranteed.

At the end of the electrical wiring, it is necessary to reassemble the cover (3) on the box (4), checking the correct positioning of the seal located in the cover seat and fastening the 4 M5 screws with a torque of  $4.9 \div 6$  Nm. Electrical wiring must be done following the instructions of the rules in compliance with ATEX standards.



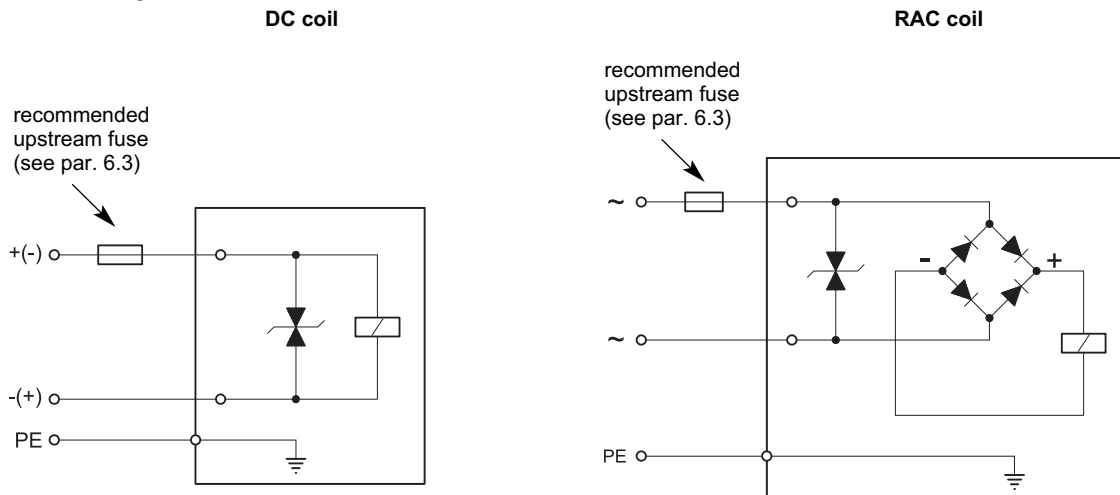
Characteristics of the cables connectable for wiring are indicated in the table below:

Function	Cable section
Operating voltage cables connection	max 2.5 mm <sup>2</sup>
Connection for internal grounding point	max 2.5 mm <sup>2</sup>
Connection for external equipotential grounding point	max 6 mm <sup>2</sup>

Cables for wiring must be non-armoured cables, with external covering sheath and must be suitable for use in environments with temperatures from - 20 °C to +110 °C (for valves either with N or V seals) or from - 40 °C to +110 °C (for valves with NL seals).

Cable glands (which must be ordered separately, see paragraph 12) allow to use cables with external diameter between 8 and 10 mm.

## 6.2 - Electrical diagrams



## 6.3 - Overcurrent fuse and switch-off voltage peak

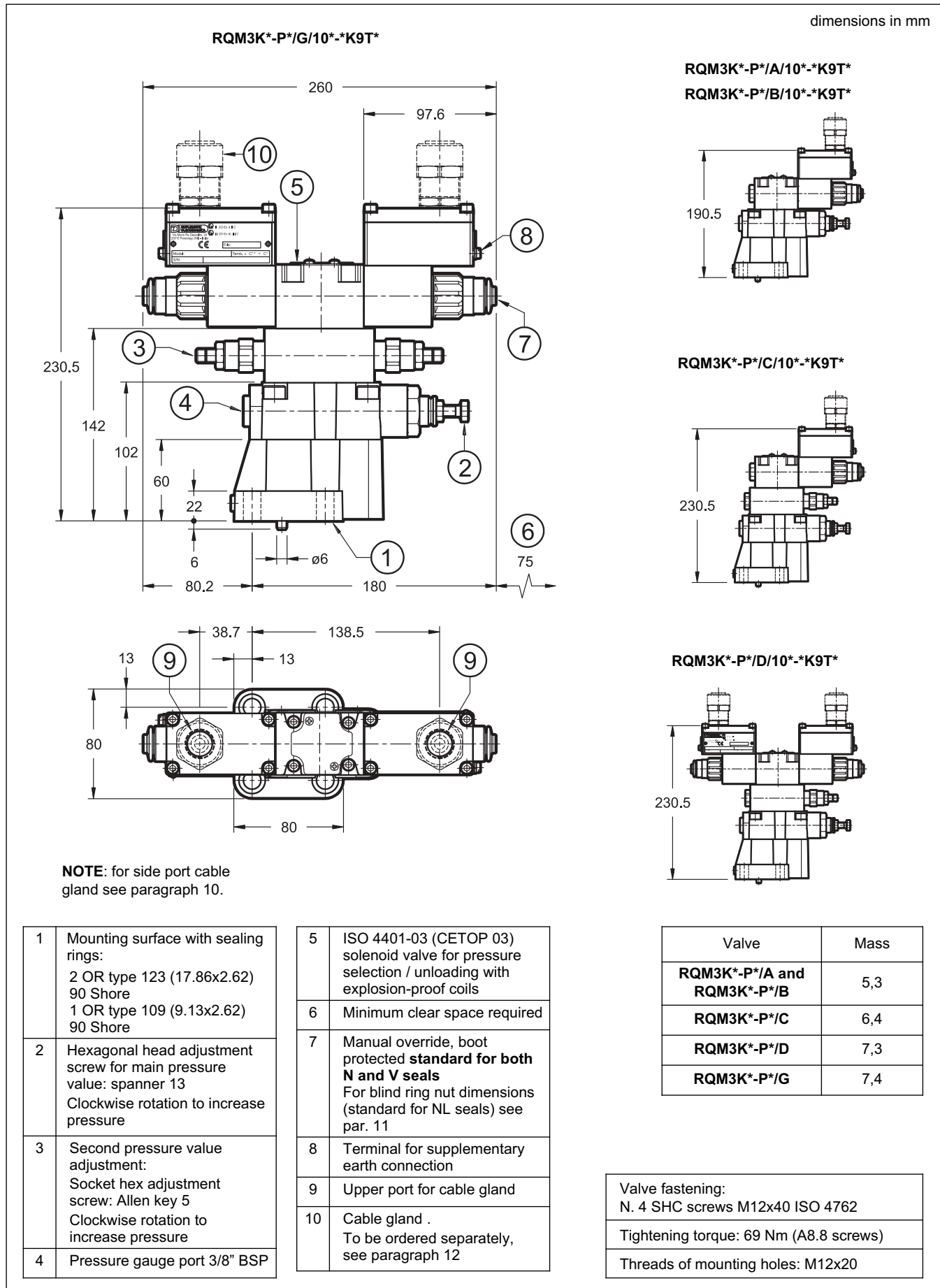
Upstream of each valve, an appropriate fuse (max 3 x I<sub>n</sub> according to IEC 60127) or a protective motor switch with short-circuit and thermal instantaneous tripping, as short-circuit protection, must be connected. The cut-off power of the fuse must correspond or exceed the short circuit current of the supply source. The fuse or the protective motor must be placed outside the dangerous area or they must be protected with an explosion-proof covering.

In order to safeguard the electronic device to which the valve is connected, there is a protection circuit in the coil, that reduces voltage peaks, which can occur when inductances are switched off.

The table shows the type of fuse recommended according to the nominal voltage of the valve and to the value of the voltage peaks reduction.

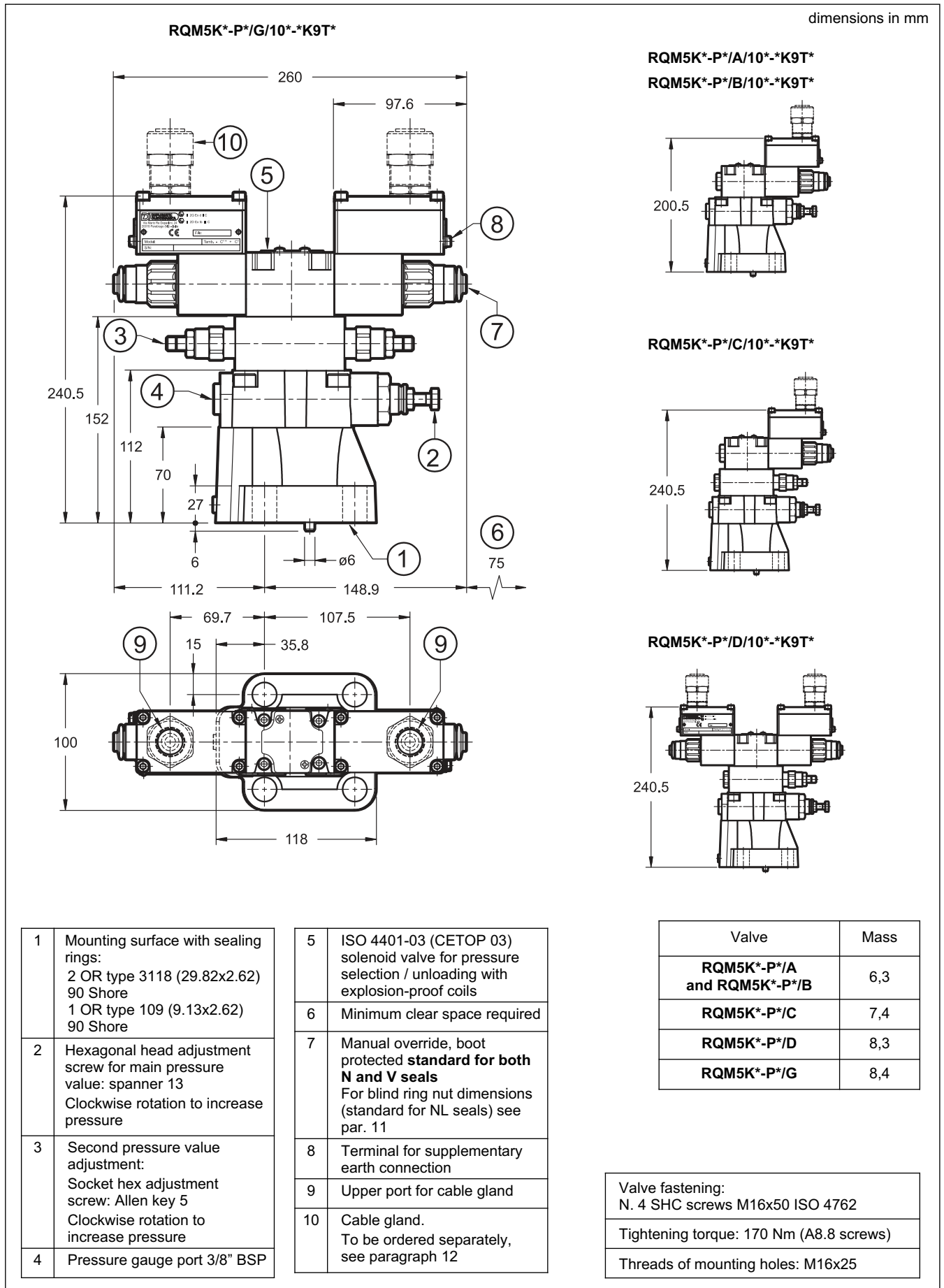
Coil type	Nominal voltage [V]	Rated current [A]	Recommended pre-fuse characteristics medium time-lag according to DIN 41571 [A]	Maximum voltage value upon switch off [V]	Suppressor circuit
<b>D12</b>	12	1,7	2,5	- 49	Transient voltage suppressor bidirectional
<b>D24</b>	24	0,83	1,25	- 49	
<b>D48</b>	48	0,42	0,6	- 81	
<b>D110</b>	110	0,2	0,3	- 309	
<b>R120</b>	120	0,21	0,3	- 3	
<b>R240</b>	240	0,1	0,15	- 3	

## 7 - RQM3K\*-P OVERALL AND MOUNTING DIMENSIONS

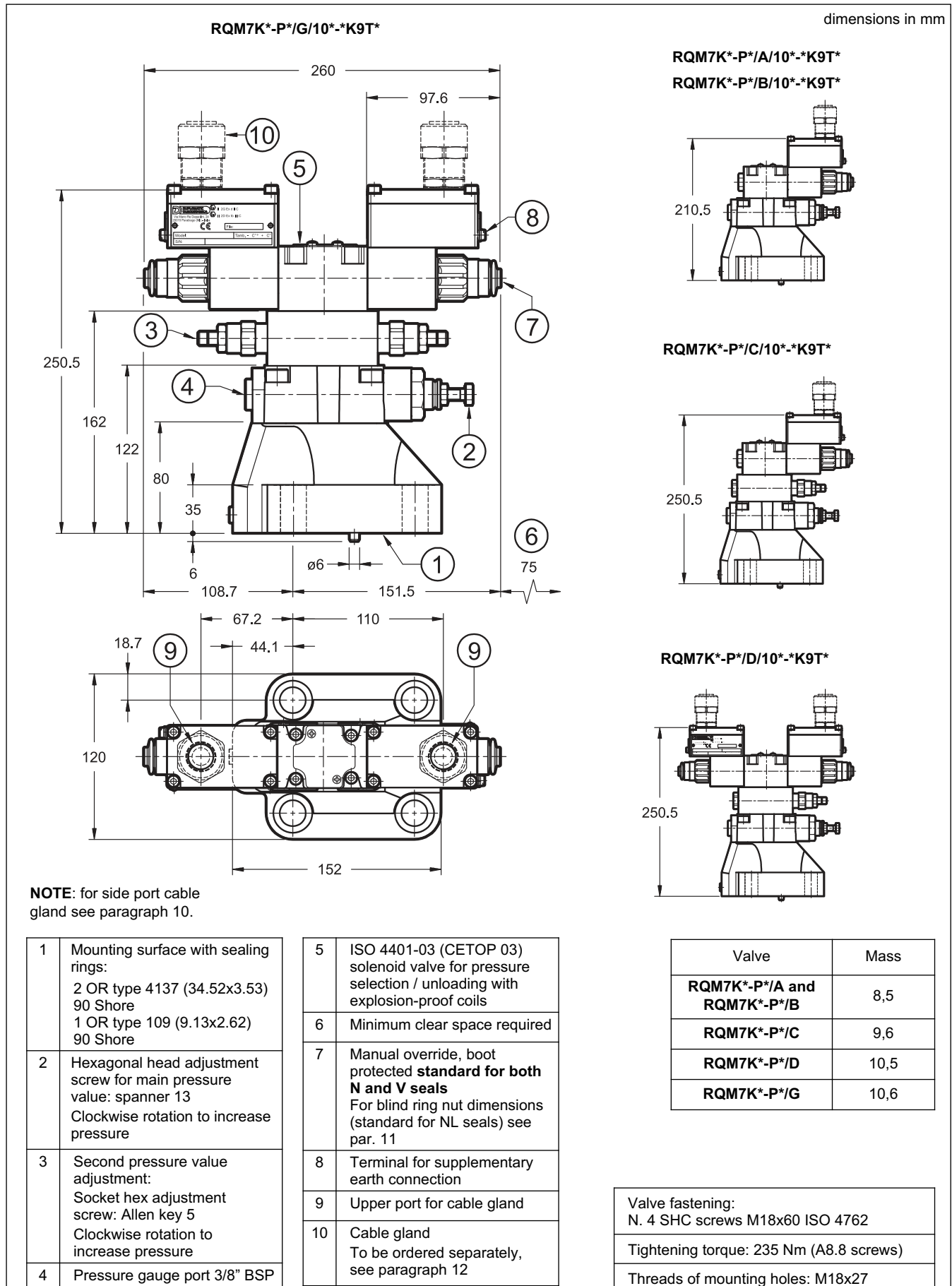




## 8 - RQM5K\*-P OVERALL AND MOUNTING DIMENSIONS

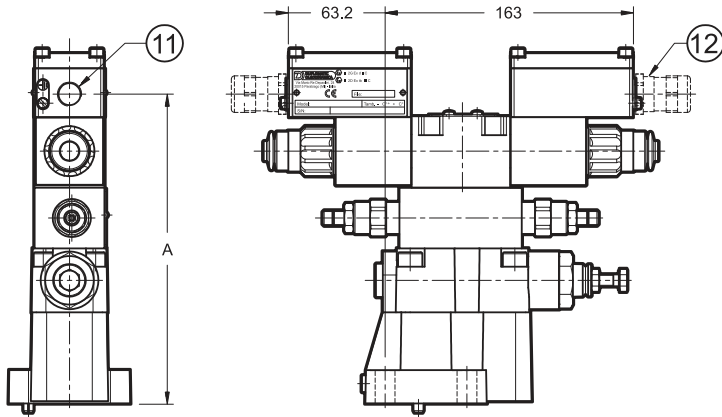


## 9 - RQM7K\*-P OVERALL AND MOUNTING DIMENSIONS



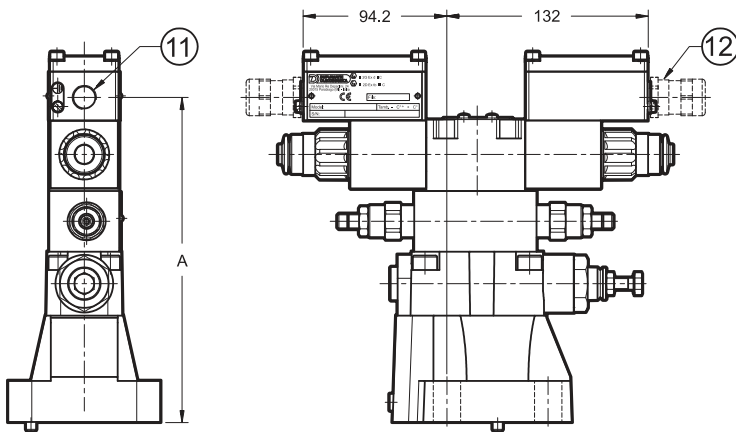
## 10 - RQM\*K\*-P\*/10\*-K9S\* (SIDE CONNECTION) OVERALL AND MOUNTING DIMENSIONS

dimensions in mm



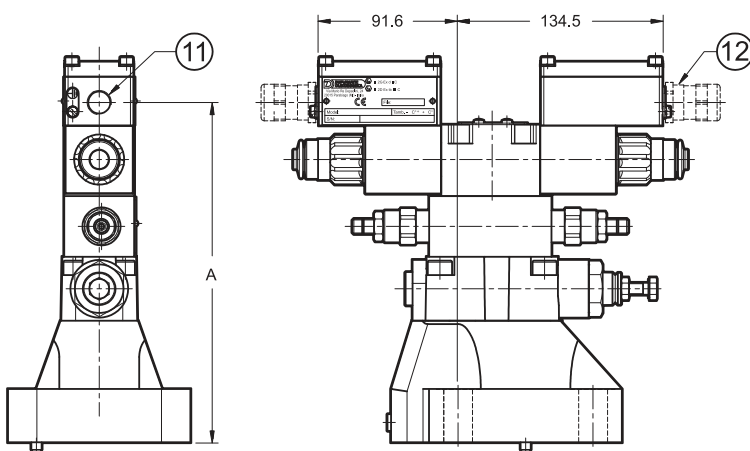
**RQM3K\*-P\*/10\*-K9S\***

Side port type	Dimension A	
	RQM3K*-P*/A RQM3K*-P*/B	RQM3K*-P*/C RQM3K*-P*/D RQM3K*-P*/G
<b>S01, S04</b>	162.5	202.5
<b>S02, S03</b>	162	202



**RQM5K\*-P\*/10\*-K9S\***

Side port type	Dimension A	
	RQM5K*-P*/A RQM5K*-P*/B	RQM5K*-P*/C RQM5K*-P*/D RQM5K*-P*/G
<b>S01, S04</b>	172.5	212.5
<b>S02, S03</b>	172	212



**RQM7K\*-P\*/10\*-K9S\***

Side port type	Dimension A	
	RQM7K*-P*/A RQM7K*-P*/B	RQM7K*-P*/C RQM7K*-P*/D RQM7K*-P*/G
<b>S01, S04</b>	182.5	222.5
<b>S02, S03</b>	182	222

11	Side port
12	Cable gland To be ordered separately, see par. 12



## 11 - MANUAL OVERRIDE CB

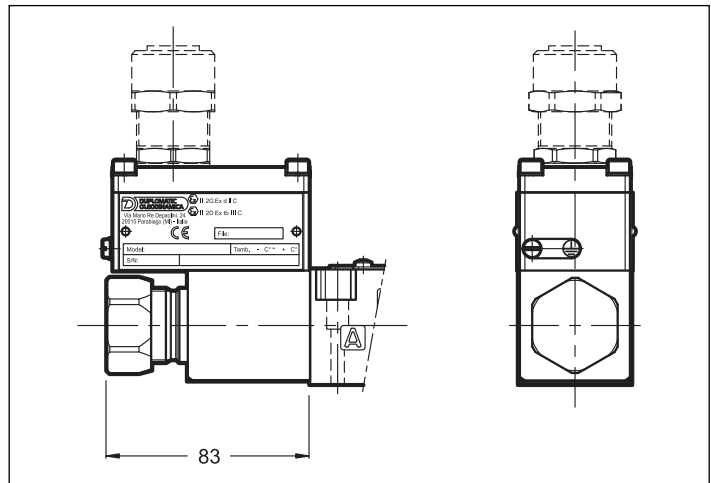
### CB - Blind ring nut

The metal ring nut protects the solenoid tube from atmospheric agents and isolates the manual override from accidental operations. The ring nut is tightened on a threaded fastener that keeps the coil in its position even without the ring nut.

To access the manual override loose the ring nut and remove it; then reassemble hand tightening, until it stops.

**Activate the manual override always and only with non-sparking tools suitable for use in ATEX areas classified.**

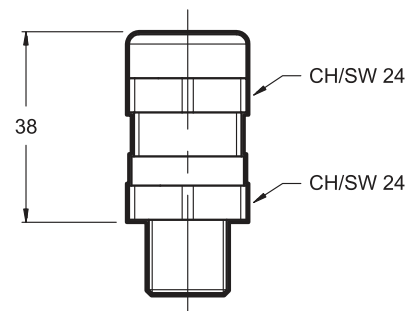
More information on safe use of ATEX classified components are provided in the instruction manual, always supplied with the valve.



## 12 - CABLE GLANDS

Cable glands must be ordered separately; Diplomatic offers some types of cable glands with the following features:

- version for non-armoured cable, external seal on the cable (suitable for  $\varnothing 8+10$  mm cables);
- ATEX II 2GD and I M2 certified
- cable gland material: nickel brass
- rubber tip material: silicone
- ambient temperature range:  $-70^{\circ}\text{C} + 220^{\circ}\text{C}$
- protection degree: IP66/IP68
- tightening torque: 15 Nm



To order, list the description and the code of the version chosen from among those listed below:

**Description: CGK2/NB-01/10**

**Code: 3908108001**

M20x1.5 - ISO 261 male thread, suitable for coils with T01 and S01 connections. It is supplied equipped with silicone seal, that must be assembled between the cable gland and the coil, so as to ensure IP66/IP68 protection degree.

**Description: CGK2/NB-03/10**

**Code: 3908108003**

1/2" NPT - ANSI B1.20.1 (ex ANSI B2.1), suitable for coils with T03 and S03 connections. The customer must apply LOCTITE® 243™ threadlocker or similar between the cable gland connection thread and the coil in order to ensure IP66/IP68 protection degree.

**Description: CGK2/NB-02/10**

**Code: 3908108002**

Gk 1/2 - UNI EN 10226-2 male thread, suitable for coils with T02 and S02 connections. The customer must apply LOCTITE® 243™ threadlocker or similar between the cable gland connection thread and the coil in order to ensure IP66/IP68 protection degree.

**Description: CGK2/NB-04/10**

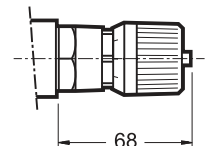
**Code: 3908108004**

M16x1.5 - ISO 261 male thread, suitable for coils with S04 connection. It is supplied equipped with silicone seal, that must be assembled between the cable gland and the coil, so as to ensure IP66/IP68 protection degree.

## 13 - ADJUSTMENT KNOB

The valves can be equipped with a SICBLOC adjustment knob, only on the main pressure regulation. To operate it, push and rotate at the same time.

To request this option, add: /M (see paragraph 1).



### 14 - INSTALLATION

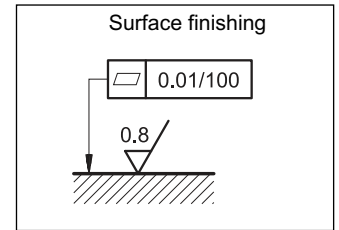


Installation must adhere to instructions reported in the *Use and Maintenance* manual, always attached to the valve. Unauthorized interventions can be harmful to people and goods because of the explosion hazards present in ATEX classified areas .

The valves can be installed in any position without impairing correct operation.

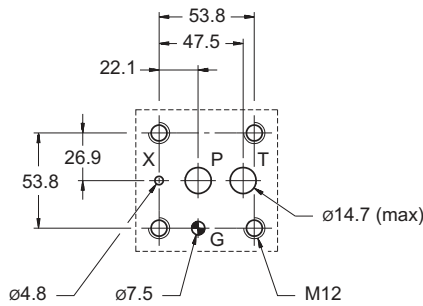
Valve fastening takes place by means of screws or tie rods, laying the valve on a lapped surface, with values of planarity and smoothness that are equal to or better than those indicated in the drawing.

If the minimum values of planarity or smoothness are not met, fluid leakages between valve and mounting surface can easily occur.



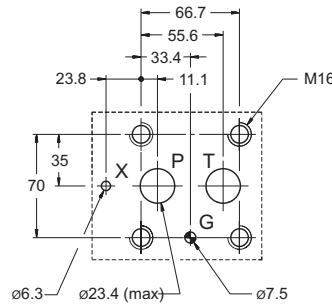
### 15 - MOUNTING SURFACES

RQM3K\*-P



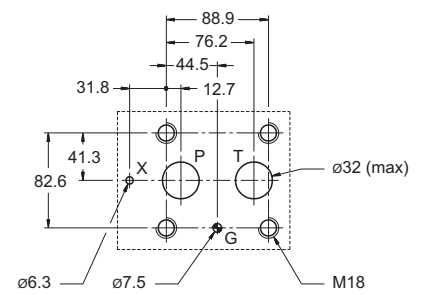
ISO 6264-06-09-\*-97  
(CETOP 4.4.2-2-R06-350)

RQM5K\*-P



ISO 6264-08-13-\*-97  
(CETOP 4.4.2-2-R08-350)

RQM7K\*-P



ISO 6264-10-17-\*-97  
(CETOP 4.4.2-2-R10-350)

### 16 - SUBPLATES

(see catalogue 51 000)

	RQM3K*-P	RQM5K*-P	RQR7K*-P
Type	PMRQ3-AI4G rear ports	PMRQ5-AI5G rear ports	PMRQ7-AI7G rear ports
P, T ports dimension	P: 1/2" BSP T: 3/4" BSP	1" BSP	1" 1/4 BSP
X port dimension	1/4" BSP	1/4" BSP	1/4" BSP

**NOTE:** Subplates (to be ordered separately) do not contain neither aluminium nor magnesium at a higher rate than the value allowed by norms according to ATEX directive for category II 2GD and I M2.

The user must take care and make a complete assessment of the ignition risk, that can occur from the relative use in potentially explosive environments.



# RQM\*K-P

SERIES 10



**DIPLOMATIC OLEODINAMICA S.p.A.**  
20015 PARABIAGO (MI) • Via M. Re Depaolini 24  
Tel. +39 0331.895.111  
Fax +39 0331.895.339  
[www.diplomatic.com](http://www.diplomatic.com) • e-mail: [sales.exp@diplomatic.com](mailto:sales.exp@diplomatic.com)

