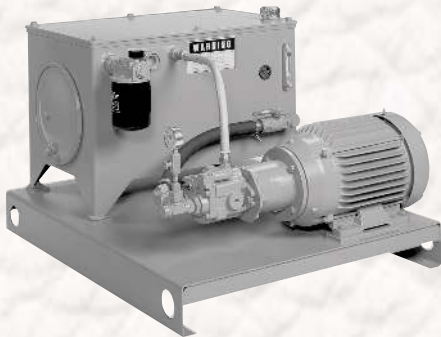


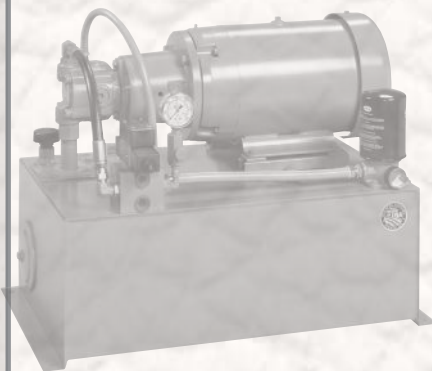
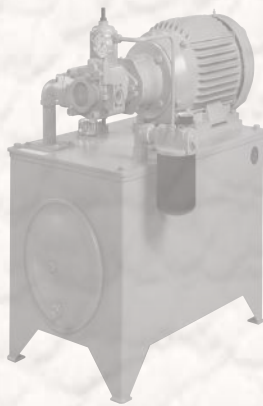


CONTINENTAL

HYDRAULICS.



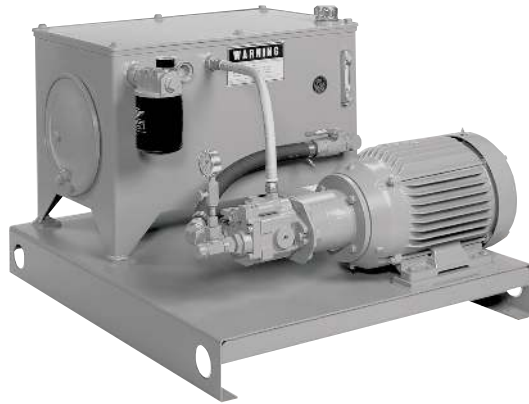
Catalog L-Shaped Hydraulic Power Units



L-Shaped Style Power Units

10 TO 200 GALLON CAPACITY

Table of Contents



L-Shaped Power Units feature flooded suction inlets. Since the pump doesn't have to lift hydraulic fluid, it gets less wear and tear. L-Shaped Power Units are ideal for industrial applications requiring high fluid volume and flow rate. The readily removable tank cover simplifies cleaning or replacing suction strainers.

Typical applications include use with:

- Door Panel Hemming Machines
- Machine Tools and Machining Centers
- Chassis Lift Systems
- Brick Making Systems

L-Shaped Power Units are the perfect choice for demanding high production industrial applications.

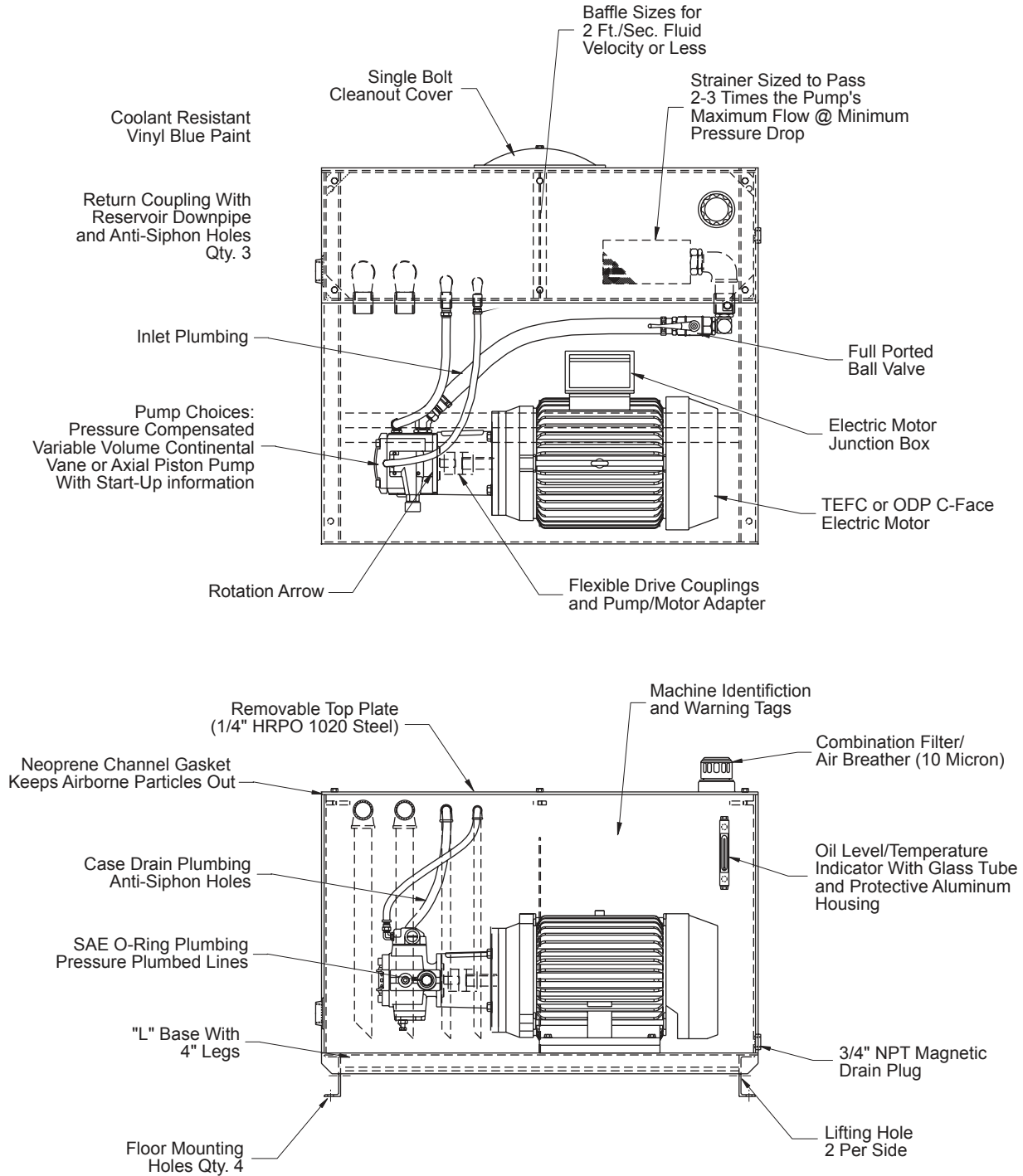
Table of Contents

Features	4
Typical Schematic and Codes	5
10 Gallon Capacity Power Units	6-11
20 Gallon Capacity Power Units	12-17
30 Gallon Capacity Power Units	18-27
45 Gallon Capacity Power Units	28-39
60 Gallon Capacity Power Units	40-47
80 Gallon Capacity Power Units	48-53
100 Gallon Capacity Power Units	54-61
120 Gallon Capacity Power Units	62-67
150 Gallon Capacity Power Units	68-71
200 Gallon Capacity Power Units	72-75
Ordering Code Information	76-77
Notes	78-79

L-Shaped Power Units

10 TO 200 GALLON CAPACITY

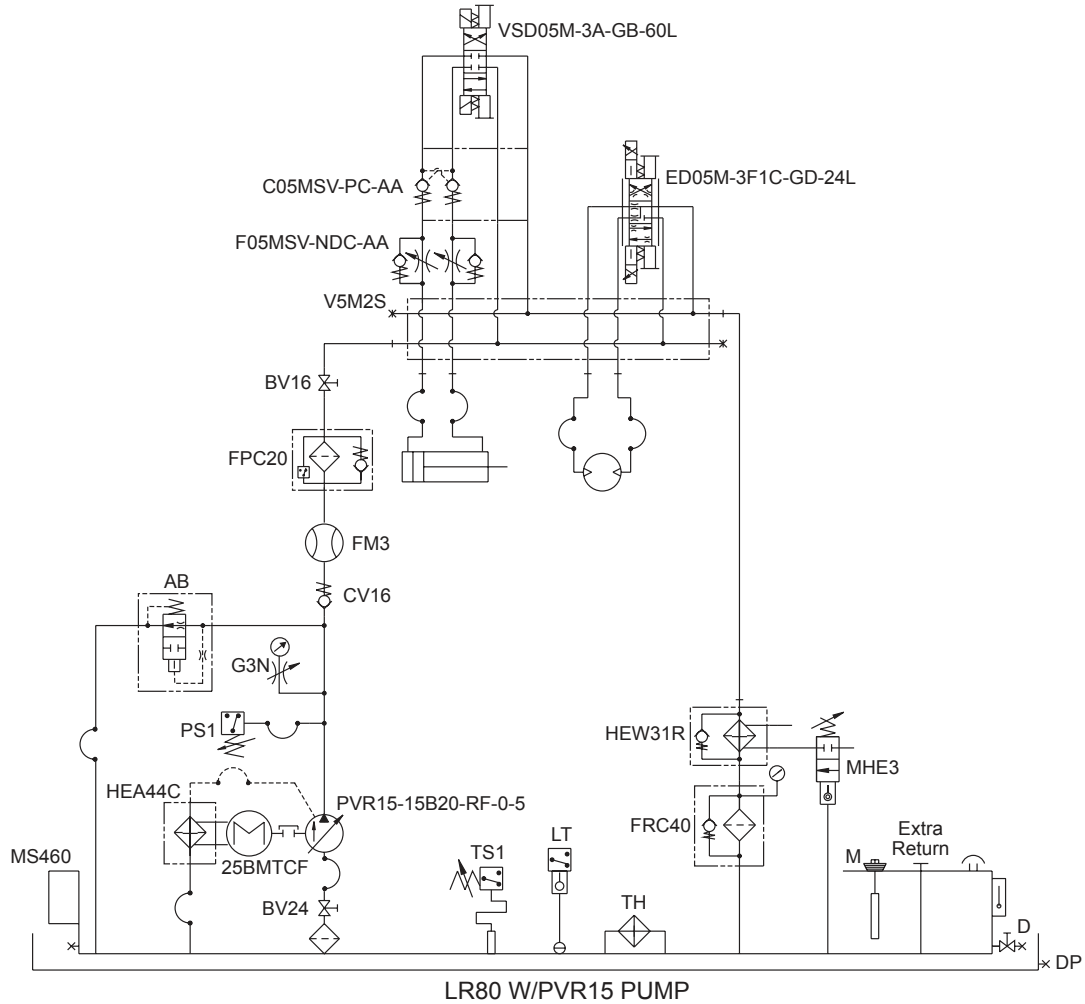
Features



L-Shaped Style Power Units

10 TO 200 GALLON CAPACITY

Typical Schematic and Codes



Schematic Code Descriptions

Model Code	Description	Model Code	Description
LR80	80 Gallon Reservoir	FM3	Flow Meter, SAE-20 Ports, 10 - 75 gpm (37.8 - 283.9 lpm)
DP	Drip Pan (Optional)	LT	Level/Temperature Switch
25BMTC	Motor 25 H.P. (18.6 kW), 1800rpm, TEFC, 284TC	PS1	Pressure Switch, 200 - 3000 psi (14 - 207 bar) Adjustment
F	Installed Customer Motor	TS1	Temperature Switch, 30°F. - 250°F. (-1°C. - 121°C.) Adjustment
H1	Petroleum Based Oil	TH	Tank Heater 30°F. - 110°F. (-1°C. - 43°C.) Adjustment
G3	0 - 3000 psi (0 - 207 bar) Pressure Gauge	FRC40	Return Filter, 1-1/4 NPT Ports, 40 gpm (151.4 lpm), 10 Micron
N	Gauge Snubber/Shut-off Valve, SAE-4 Ports	FPC20	Pressure Filter, SAE-16 Ports, 20 gpm (75.7 lpm), 10 Micron
AB	Air Bleed Valve	HEA44C	Case Drain Cooler, SAE-8 Ports
D	Reservoir Drain Valve, 3/4 NPT	HEW31R	Water-to-Oil Heat Exchanger, SAE-24 Ports
M	Magnet	MHE3	Water Modulating Valve, 3/4 NPT Ports, 100°F. - 140°F. (38°C. - 60°C.) Adjustment
CV16	Check Valve, SAE-16 Ports, 7 psi (0.5 bar) Cracking	V5M2S	D05 2 Station Manifold, SAE-8 "A" and "B" Ports
BV16	High Pressure Ball Valve, SAE-16 Ports		
Model Code	Description		
PVR15-15B20-RF-0-5	Vane Pump, 15 gpm (56.8 lpm), 2000 psi (138 bar)		
VSD05M-3A-GB-60L	D05 Directional Control Valve		
C05MSV-PC-AA	D05 Modular Stack Cross-Port Check Valve		
F05MSV-NDC-AA	D05 Modular Stack Dual Flow Control Valve		
BD05-667	D05 Bolt Kit, 6.67" Long		
ED05M-3F1C-GD-24L	D05 Proportional Directional Control Valve		
BD05-175	D05 Bolt Kit, 1.75" Long		

L-Shaped Power Units

10 GALLON CAPACITY

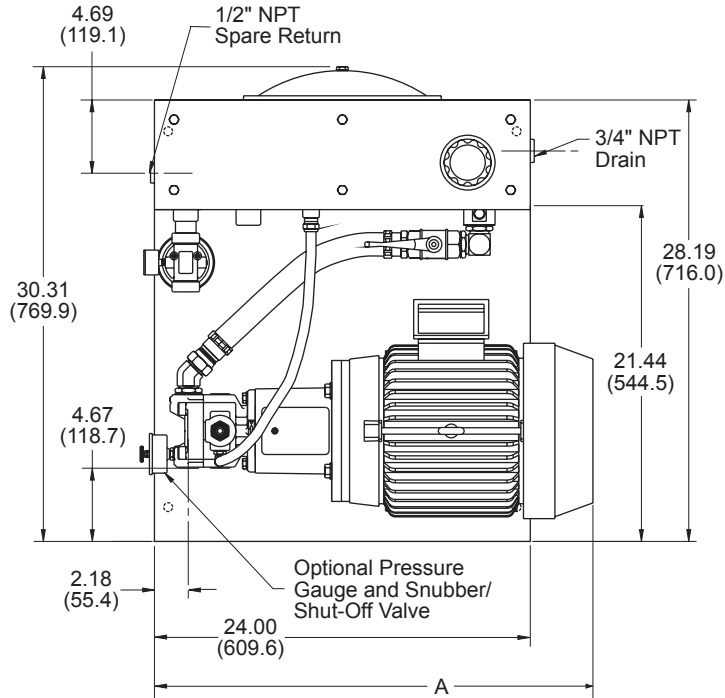
Dimension Drawing - With PVR6 Vane Pump

CONTINENTAL



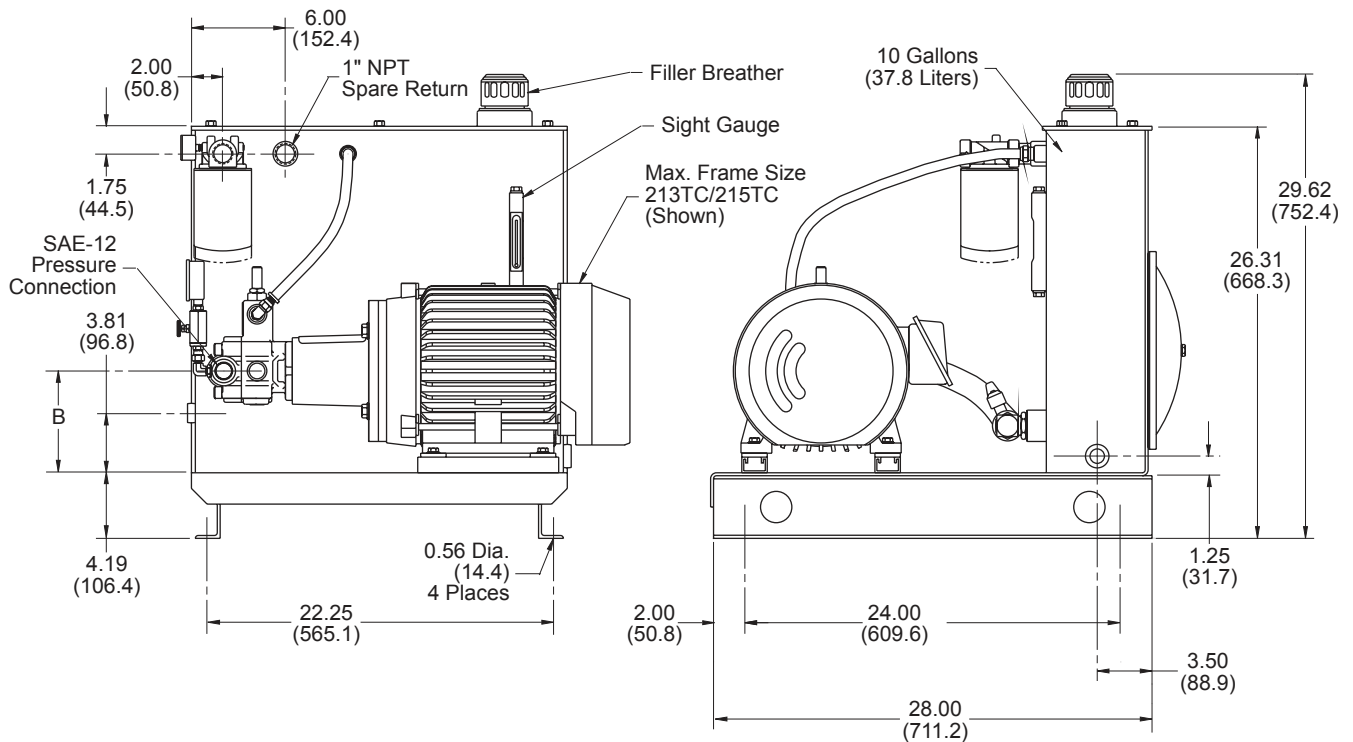
HYDRAULICS

Dimensions shown in: Inches (± .125)
(millimeters (± 1 mm))



Dimensions

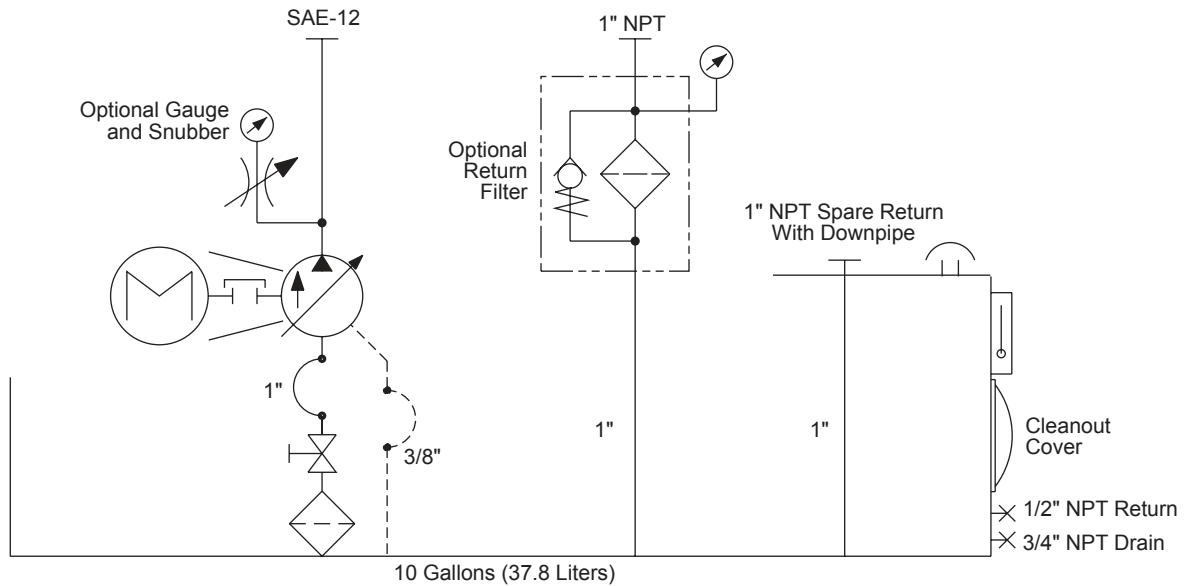
Motor Frame	A	B
143TC	21.13 (536.7)	4.75 (120.6)
145TC	21.13 (536.7)	4.75 (120.6)
182TC	23.25 (590.5)	5.75 (146.0)
184TC	24.25 (615.9)	5.75 (146.0)
213TC	26.38 (670.1)	6.50 (165.1)
215TC	27.88 (708.2)	6.50 (165.1)



L-Shaped Style Power Units

10 GALLON CAPACITY

Schematic and Specifications - With PVR6 Vane Pump



GENERAL SPECIFICATIONS	LR10
Reservoir Capacity	10 Gal. (37.8 liters)
Surface Area For Heat Transfer	9.87 sq. ft. (9169.2 cm ²)
Heat Dissipation	Sq. Ft. of Vertical Steel x ΔT / 1000
Basic Weight (Less Oil, Pump, and Motor)	215 lbs. (97.5 kg)
Usable Gallons	2.05 Gal. (7.8 liters)
Gallons Per Inch Rise	.613 Gal. (2.3 liters)
Capacity, Full to Top Plate	13.41 Gal. (50.8 liters)
Capacity, High on Sight Gauge	10.07 Gal. (38.1 liters)
Capacity, Low on Sight Gauge	8.02 Gal. (30.4 liters)
Pump Data*	
Flow Range	Up to 10 gpm (37.8 lpm)
Pressure Range	Up to 2000 psi (138 bar)
Power Range	Up to 10 HP (7.5 kW)

* See Continental Hydraulics Vane Pump or Piston Pump Catalogs for complete codes and specifications.

L-Shaped Power Units

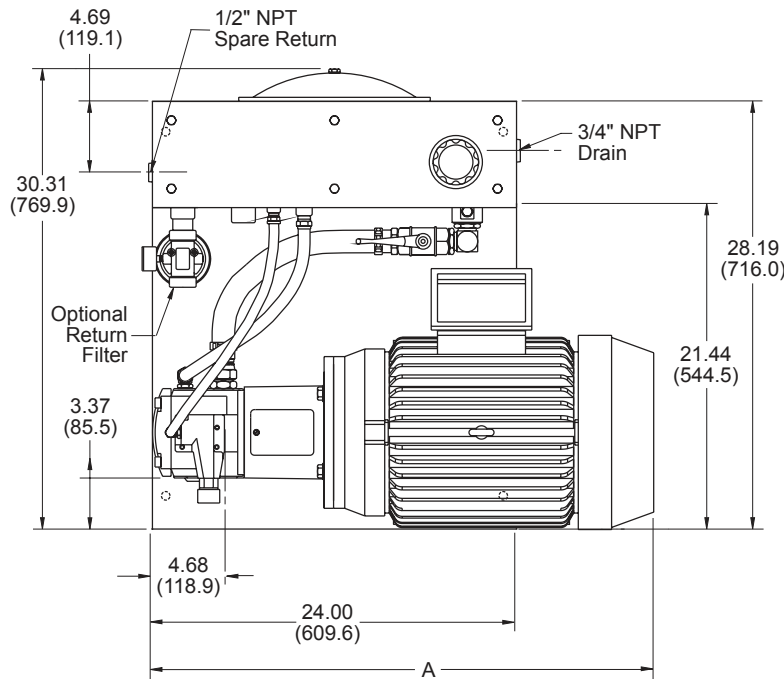
10 GALLON CAPACITY

Dimension Drawing - With PVX8 Vane Pump

CONTINENTAL



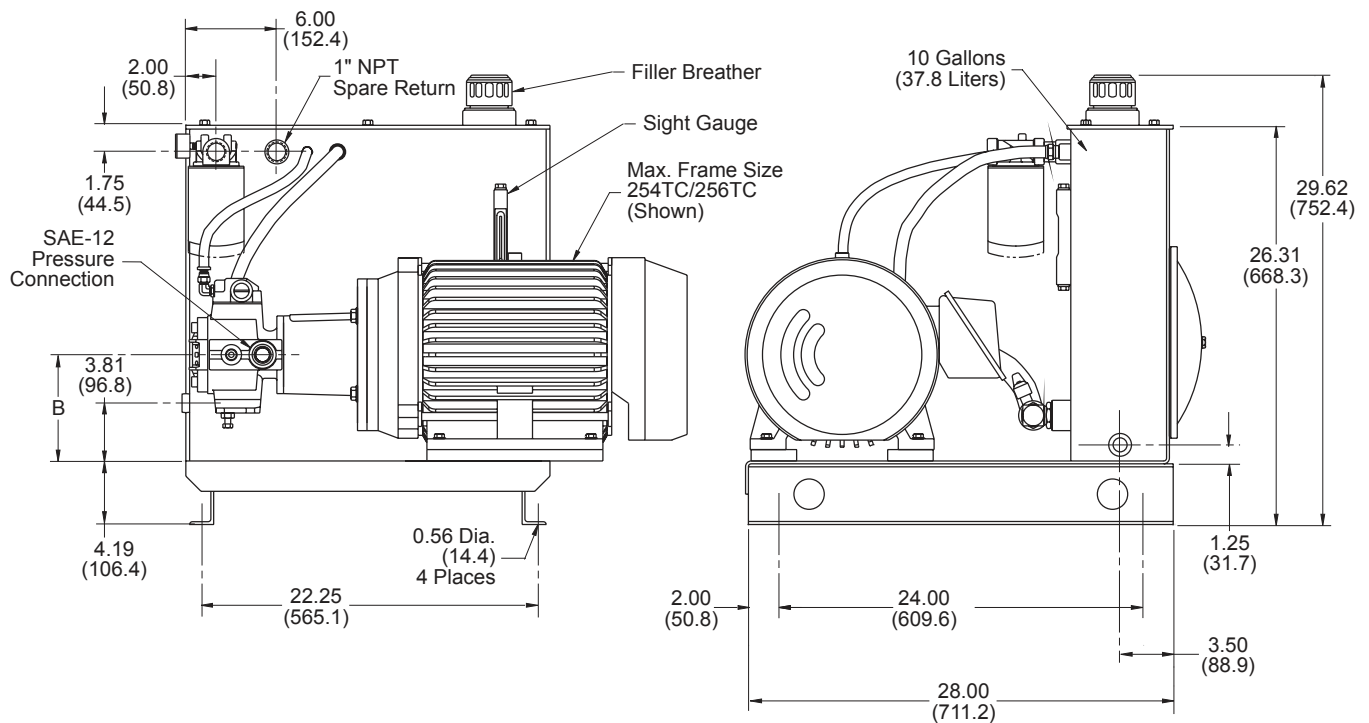
HYDRAULICS



Dimensions shown in: Inches ($\pm .125$)
 (millimeters (± 1 mm))

Dimensions

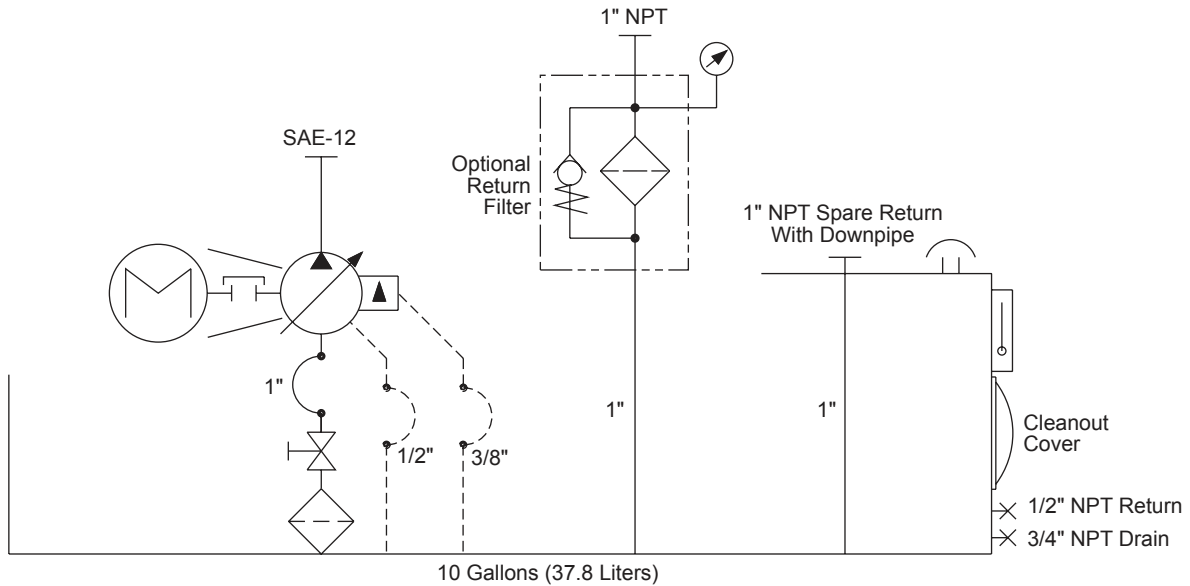
Motor Frame	A	B
182TC	22.75 (577.8)	5.75 (146.0)
184TC	23.75 (603.2)	5.75 (146.0)
213TC	25.88 (657.4)	6.50 (165.1)
215TC	27.38 (695.5)	6.50 (165.1)
254TC	31.38 (797.1)	7.00 (177.8)
256TC	33.06 (839.7)	7.00 (177.8)



L-Shaped Style Power Units

10 GALLON CAPACITY

Schematic and Specifications - With PVX8 Vane Pump



GENERAL SPECIFICATIONS	LR10
Reservoir Capacity	10 Gal. (37.8 liters)
Surface Area For Heat Transfer	9.87 sq. ft. (9169.2 cm ²)
Heat Dissipation	Sq. Ft. of Vertical Steel x $\Delta T / 1000$
Basic Weight (Less Oil, Pump, and Motor)	230 lbs. (104.3 kg)
Usable Gallons	2.05 Gal. (7.8 liters)
Gallons Per Inch Rise	.613 Gal. (2.3 liters)
Capacity, Full to Top Plate	13.41 Gal. (50.8 liters)
Capacity, High on Sight Gauge	10.07 Gal. (38.1liters)
Capacity, Low on Sight Gauge	8.02 Gal. (30.4 liters)
Pump Data*	
Flow Range	Up to 8 gpm (30.3 lpm)
Pressure Range	Up to 3000 psi (207 bar)
Power Range	Up to 20 HP (14.9 kW)

* See Continental Hydraulics Vane Pump or Piston Pump Catalogs for complete codes and specifications.

L-Shaped Power Units

10 GALLON CAPACITY

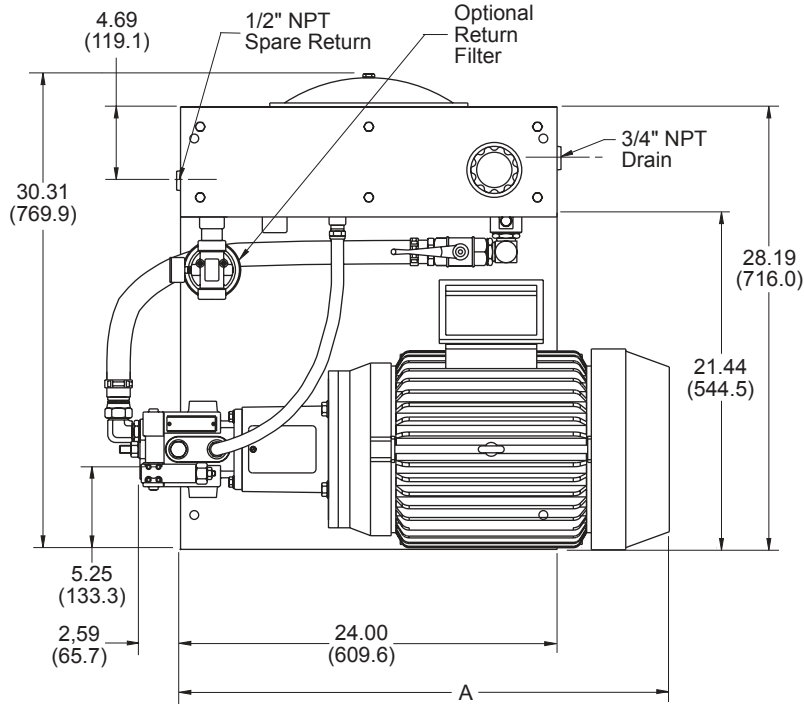
Dimension Drawing - With HPV6 Piston Pump

CONTINENTAL



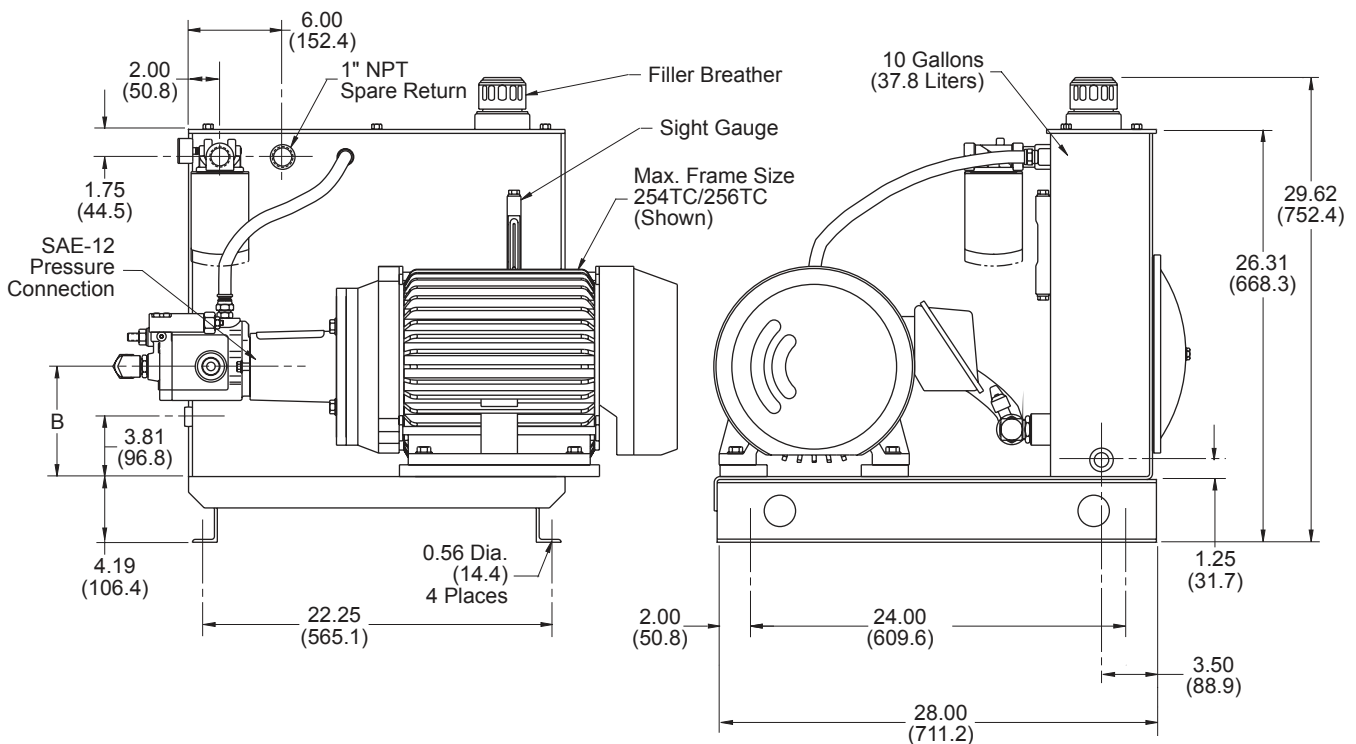
HYDRAULICS

Dimensions shown in: Inches (± .125)
millimeters (± 1 mm)



Dimensions

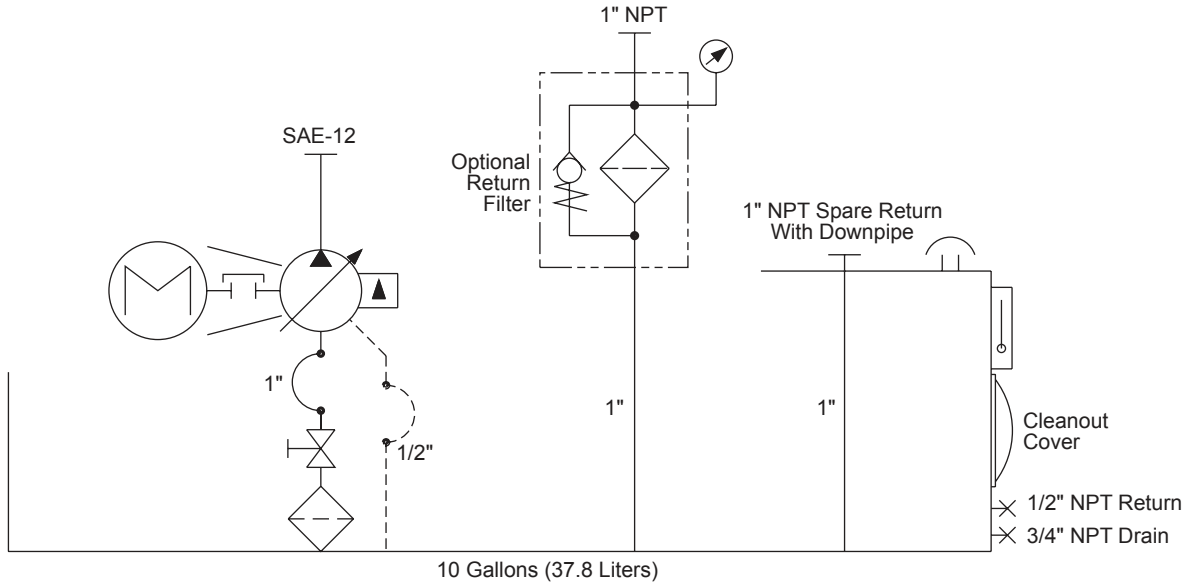
Motor Frame	A	B
143TC	18.88 (479.6)	4.75 (120.6)
145TC	18.88 (479.6)	4.75 (120.6)
182TC	21.03 (534.2)	5.75 (146.0)
184TC	22.00 (558.8)	5.75 (146.0)
213TC	24.19 (614.4)	6.50 (165.1)
215TC	25.63 (651.0)	6.50 (165.1)
254TC	29.63 (752.6)	7.00 (177.8)
256TC	31.32 (795.5)	7.00 (177.8)



L-Shaped Style Power Units

10 GALLON CAPACITY

Schematic and Specifications - With HPV6 Piston Pump



GENERAL SPECIFICATIONS	LR10
Reservoir Capacity	10 Gal. (37.8 liters)
Surface Area For Heat Transfer	9.87 sq. ft. (9169.2 cm ²)
Heat Dissipation	Sq. Ft. of Vertical Steel x ΔT / 1000
Basic Weight (Less Oil, Pump, and Motor)	230 lbs. (104.3 kg)
Usable Gallons	2.05 Gal. (7.8 liters)
Gallons Per Inch Rise	.613 Gal. (2.3 liters)
Capacity, Full to Top Plate	13.41 Gal. (50.8 liters)
Capacity, High on Sight Gauge	10.07 Gal. (38.1 liters)
Capacity, Low on Sight Gauge	8.02 Gal. (30.4 liters)
Pump Data*	
Flow Range	Up to 6 gpm (22.7 lpm)
Pressure Range	Up to 3500 psi (241 bar)
Power Range	Up to 15 HP (11.2 kW)

* See Continental Hydraulics Vane Pump or Piston Pump Catalogs for complete codes and specifications.

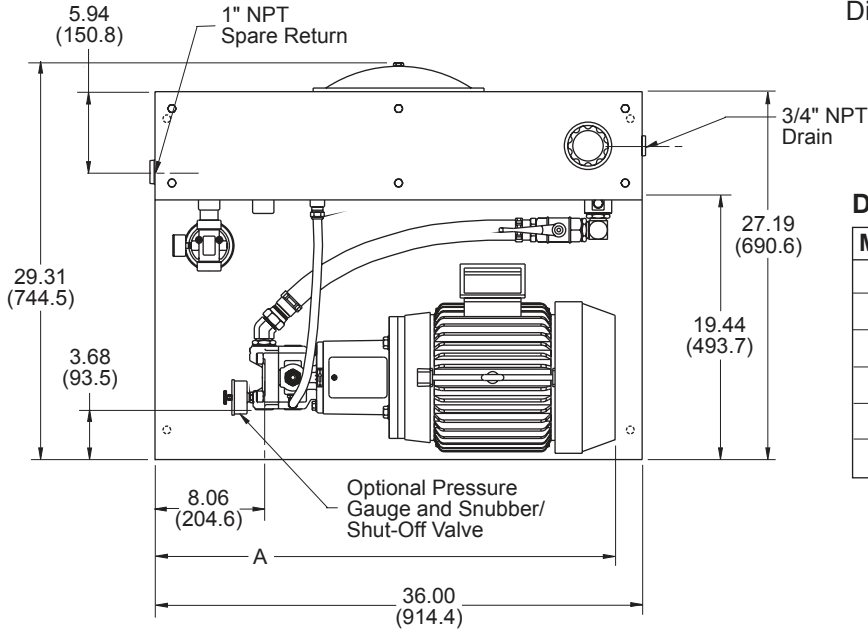
L-Shaped Power Units

20 GALLON CAPACITY

Dimension Drawing - With PVR6 Vane Pump

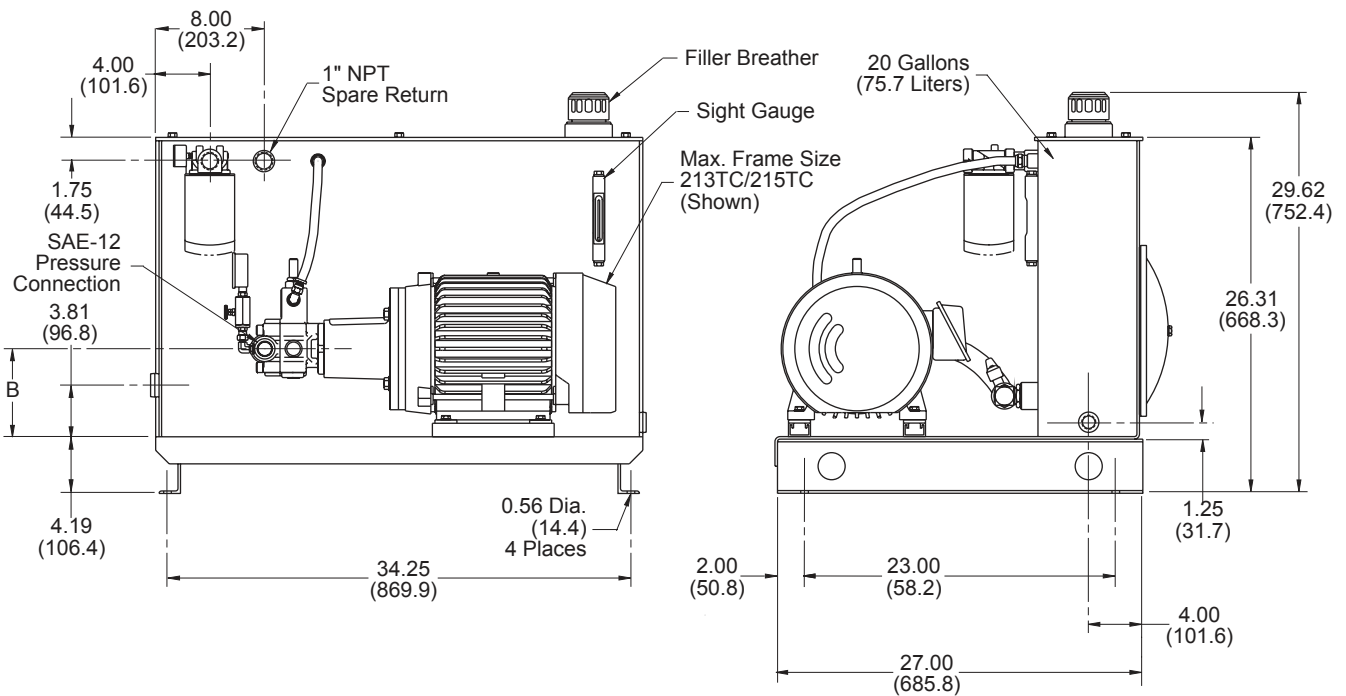


Dimensions shown in: Inches (± .125)
 (millimeters (± 1 mm))



Dimensions

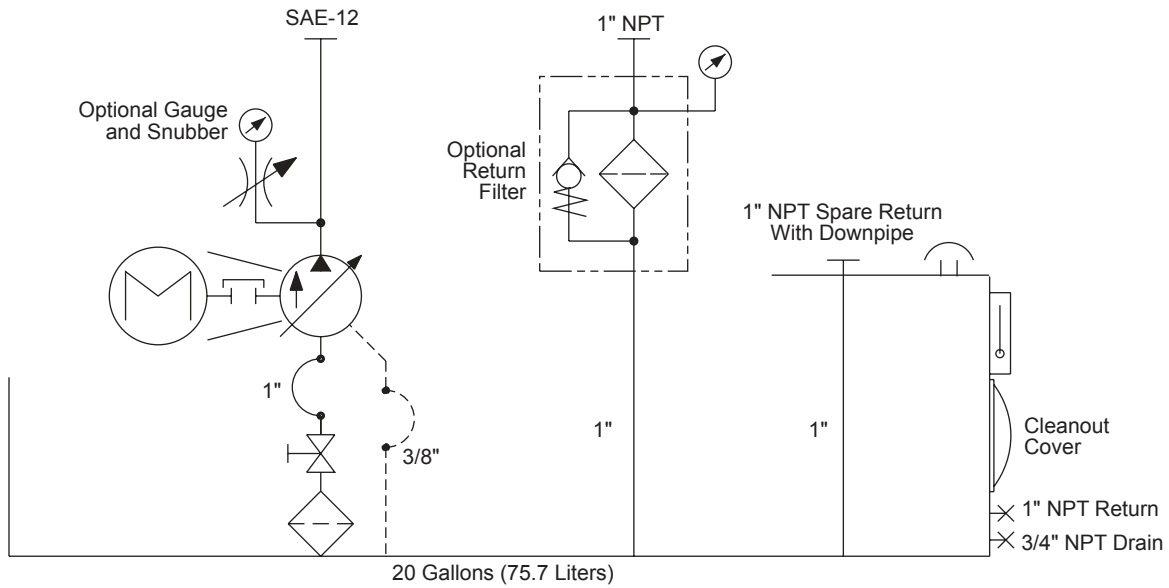
Motor Frame	A	B
143TC	27.00 (685.8)	4.75 (120.6)
145TC	27.00 (685.8)	4.75 (120.6)
182TC	29.13 (739.9)	5.75 (146.0)
184TC	30.13 (865.3)	5.75 (146.0)
213TC	32.25 (819.1)	6.50 (165.1)
215TC	33.75 (857.2)	6.50 (165.1)



L-Shaped Style Power Units

20 GALLON CAPACITY

Schematic and Specifications - With PVR6 Vane Pump



GENERAL SPECIFICATIONS	LR20
Reservoir Capacity	20 Gal. (75.7 liters)
Surface Area For Heat Transfer	14.57 sq. ft. (1.35 m ²)
Heat Dissipation	Sq. Ft. of Vertical Steel x $\Delta T / 1000$
Basic Weight (Less Oil, Pump, and Motor)	312 lbs. (141.5 kg)
Usable Gallons	3.65 Gal. (13.8 liters)
Gallons Per Inch Rise	1.08 Gal. (4.1 liters)
Capacity, Full to Top Plate	23.70 Gal. (89.7 liters)
Capacity, High on Sight Gauge	19.30 Gal. (73.1 liters)
Capacity, Low on Sight Gauge	15.65 Gal. (59.2 liters)
Pump Data*	
Flow Range	Up to 10 gpm (37.8 lpm)
Pressure Range	Up to 2000 psi (138 bar)
Power Range	Up to 10 HP (7.5 kW)

* See Continental Hydraulics Vane Pump or Piston Pump Catalogs for complete codes and specifications.

L-Shaped Power Units

20 GALLON CAPACITY

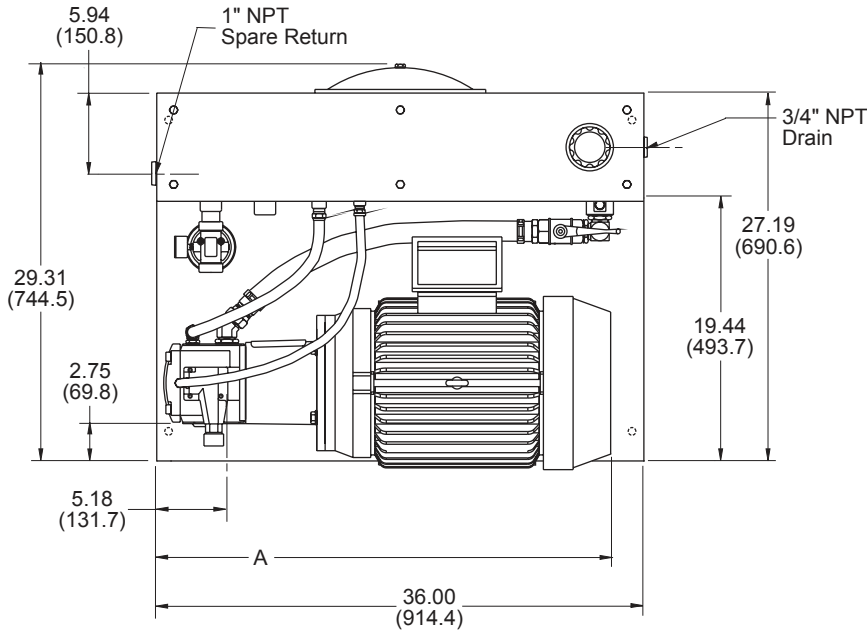
Dimension Drawing - With PVX8 Vane Pump

CONTINENTAL



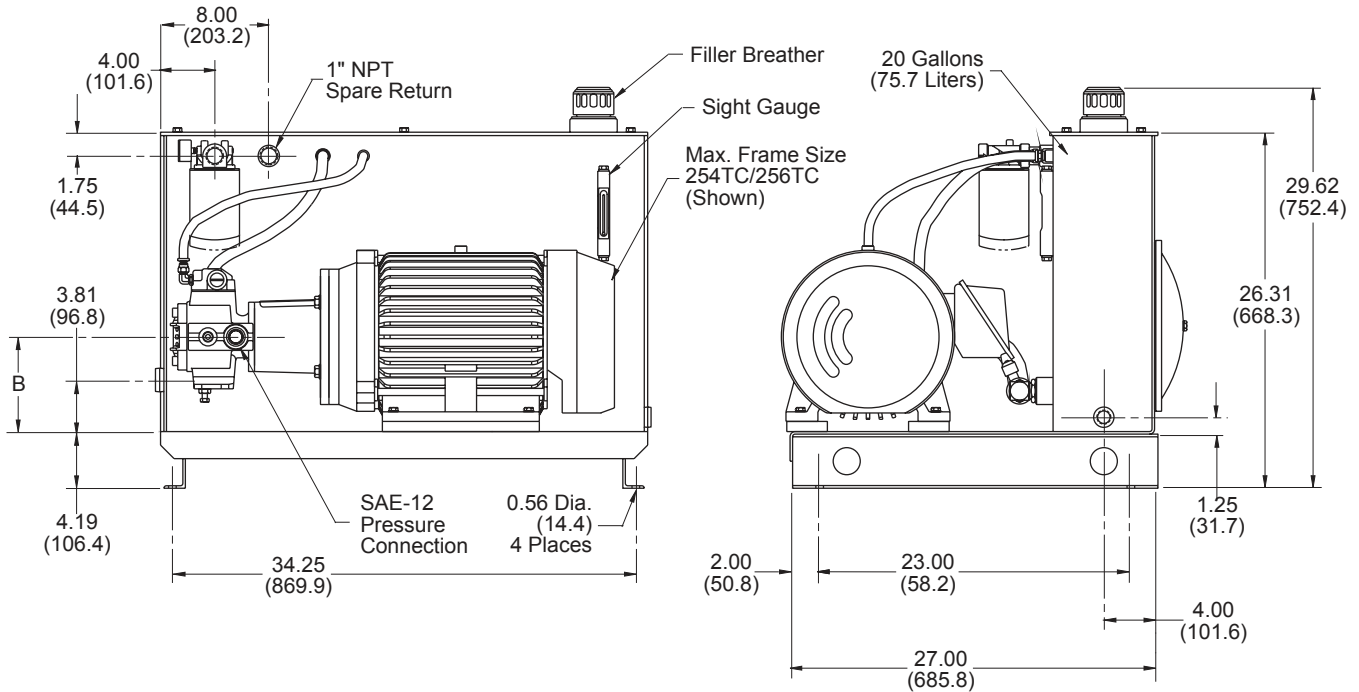
HYDRAULICS

Dimensions shown in: Inches (± .125)
(millimeters (± 1 mm))



Dimensions

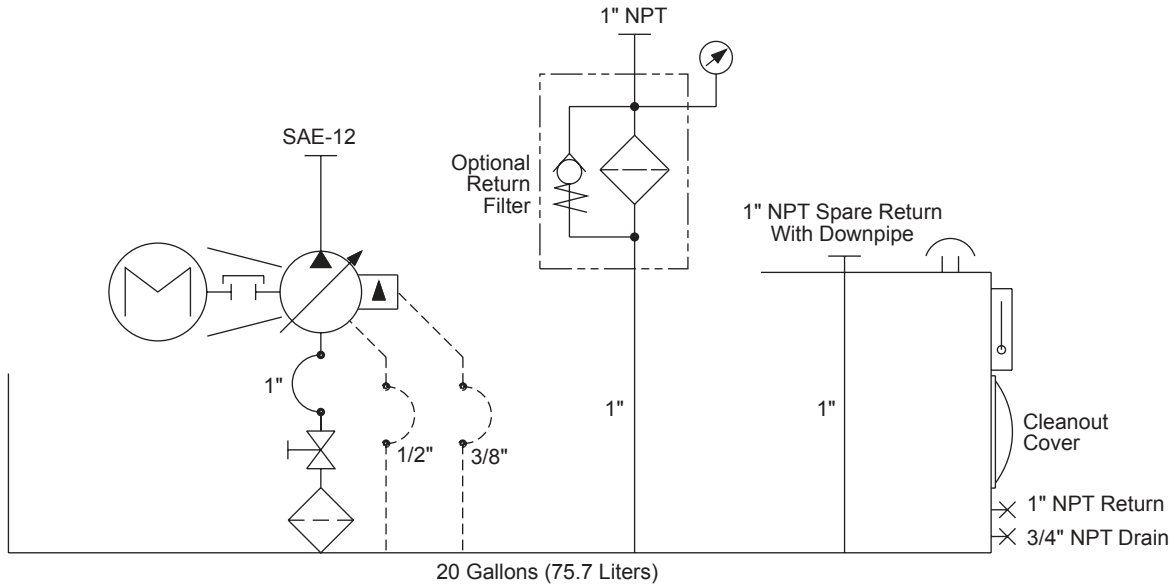
Motor Frame	A	B
182TC	23.25 (590.5)	5.75 (146.0)
184TC	24.25 (615.9)	5.75 (146.0)
213TC	26.38 (670.1)	6.50 (165.1)
215TC	27.88 (708.2)	6.50 (165.1)
254TC	31.88 (809.8)	7.00 (177.8)
256TC	33.56 (852.4)	7.00 (177.8)



L-Shaped Style Power Units

20 GALLON CAPACITY

Schematic and Specifications - With PVX8 Vane Pump



GENERAL SPECIFICATIONS	LR20
Reservoir Capacity	20 Gal. (75.7 liters)
Surface Area For Heat Transfer	14.57 sq. ft. (1.35 m ²)
Heat Dissipation	Sq. Ft. of Vertical Steel x ΔT / 1000
Basic Weight (Less Oil, Pump, and Motor)	328 lbs. (148.8 kg)
Usable Gallons	3.65 Gal. (13.8 liters)
Gallons Per Inch Rise	1.08 Gal. (4.1 liters)
Capacity, Full to Top Plate	23.70 Gal. (89.7 liters)
Capacity, High on Sight Gauge	19.30 Gal. (73.1 liters)
Capacity, Low on Sight Gauge	15.65 Gal. (59.2 liters)
Pump Data*	
Flow Range	Up to 8 gpm (30.3 lpm)
Pressure Range	Up to 3000 psi (207 bar)
Power Range	Up to 20 HP (14.9 kW)

* See Continental Hydraulics Vane Pump or Piston Pump Catalogs for complete codes and specifications.

L-Shaped Power Units

20 GALLON CAPACITY

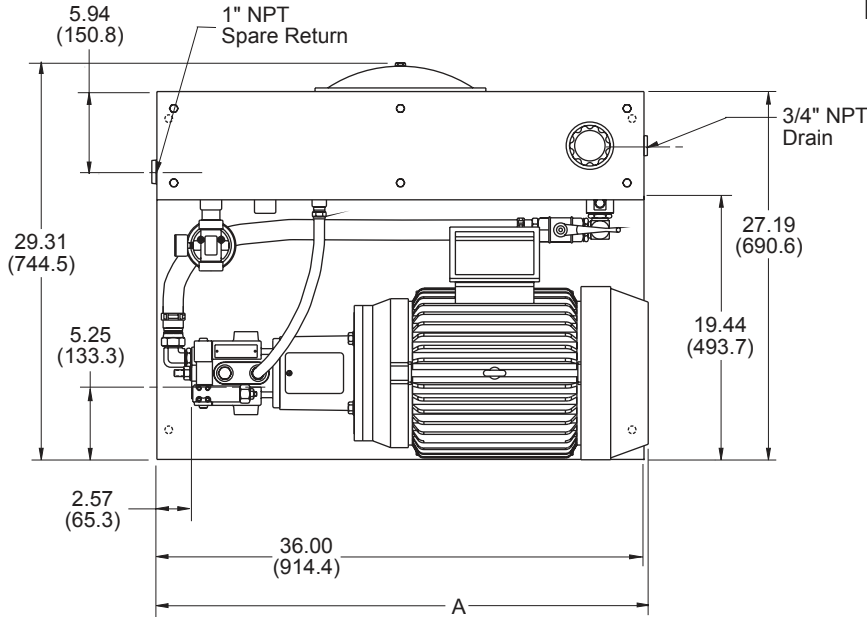
Dimension Drawing - With HPV6 Piston Pump

CONTINENTAL



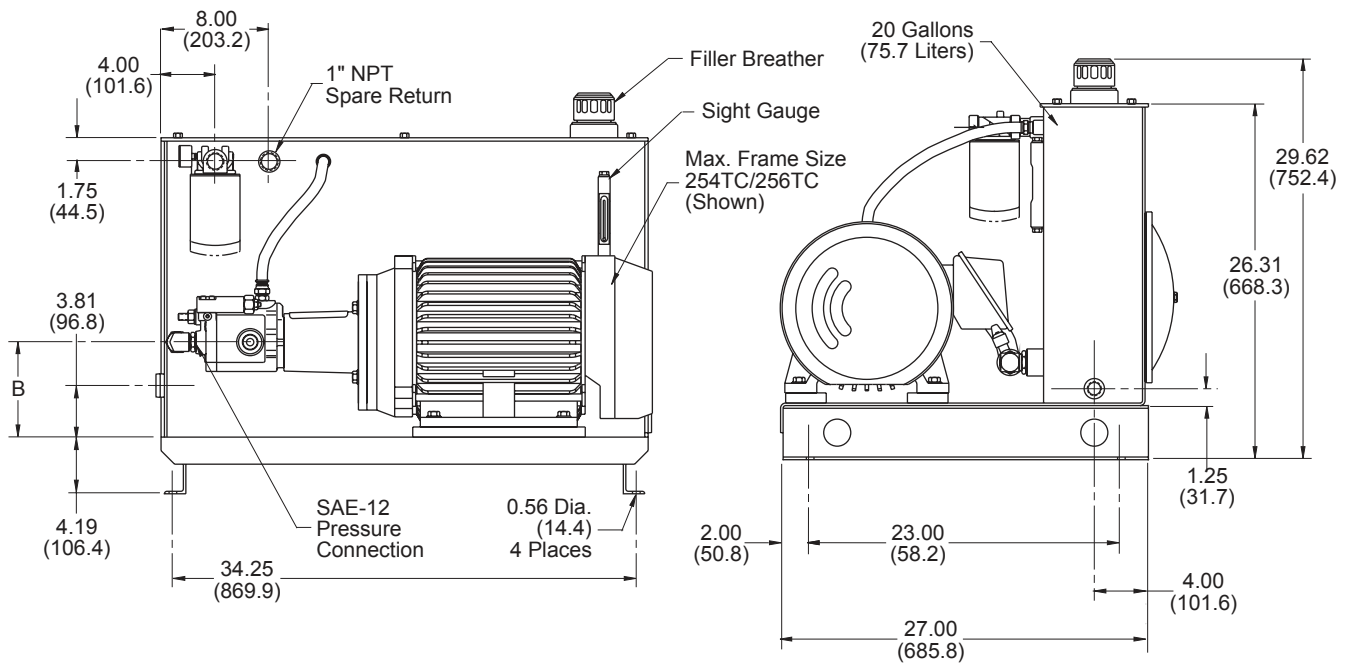
HYDRAULICS

Dimensions shown in: Inches (± .125)
 (millimeters (± 1 mm))



Dimensions

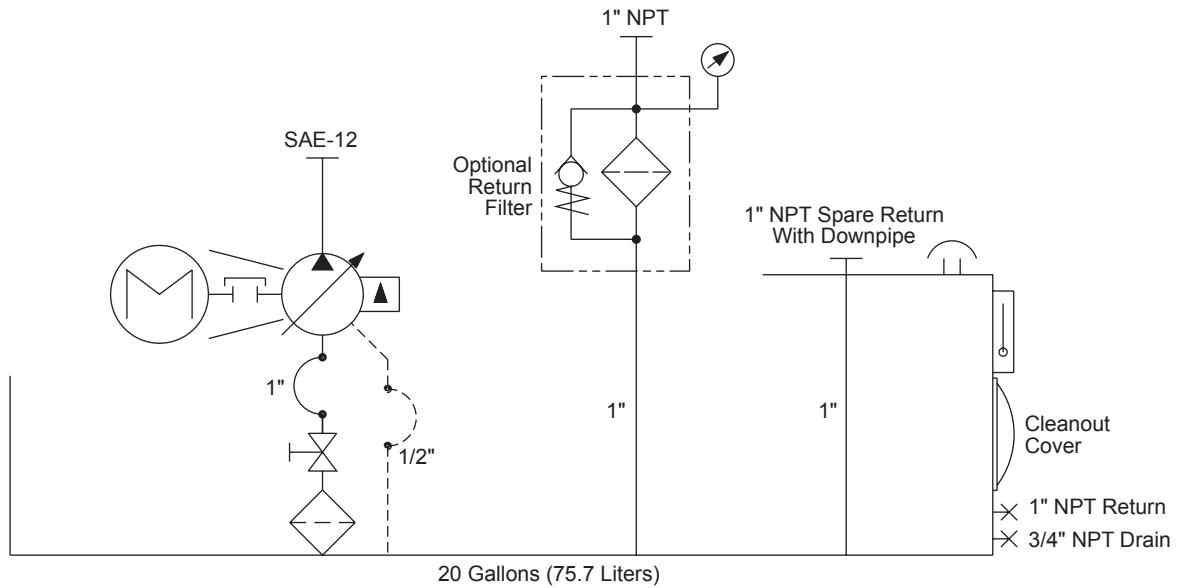
Motor Frame	A	B
182TC	26.19 (665.2)	5.75 (146.0)
184TC	27.19 (690.6)	5.75 (146.0)
213TC	29.32 (744.7)	6.50 (165.1)
215TC	30.81 (782.6)	6.50 (165.1)
254TC	34.82 (884.4)	7.00 (177.8)
256TC	36.50 (927.1)	7.00 (177.8)



L-Shaped Style Power Units

20 GALLON CAPACITY

Schematic and Specifications - With HPV6 Piston Pump



GENERAL SPECIFICATIONS	LR20
Reservoir Capacity	20 Gal. (75.7 liters)
Surface Area For Heat Transfer	14.57 sq. ft. (1.35 m ²)
Heat Dissipation	Sq. Ft. of Vertical Steel x ΔT / 1000
Basic Weight (Less Oil, Pump, and Motor)	328 lbs. (148.8 kg)
Usable Gallons	3.65 Gal. (13.8 liters)
Gallons Per Inch Rise	1.08 Gal. (4.1 liters)
Capacity, Full to Top Plate	23.70 Gal. (89.7 liters)
Capacity, High on Sight Gauge	19.30 Gal. (73.1 liters)
Capacity, Low on Sight Gauge	15.65 Gal. (59.2 liters)
Pump Data*	
Flow Range	Up to 6 gpm (22.7 lpm)
Pressure Range	Up to 3500 psi (241 bar)
Power Range	Up to 20 HP (14.9 kW)

* See Continental Hydraulics Vane Pump or Piston Pump Catalogs for complete codes and specifications.

L-Shaped Power Units

30 GALLON CAPACITY

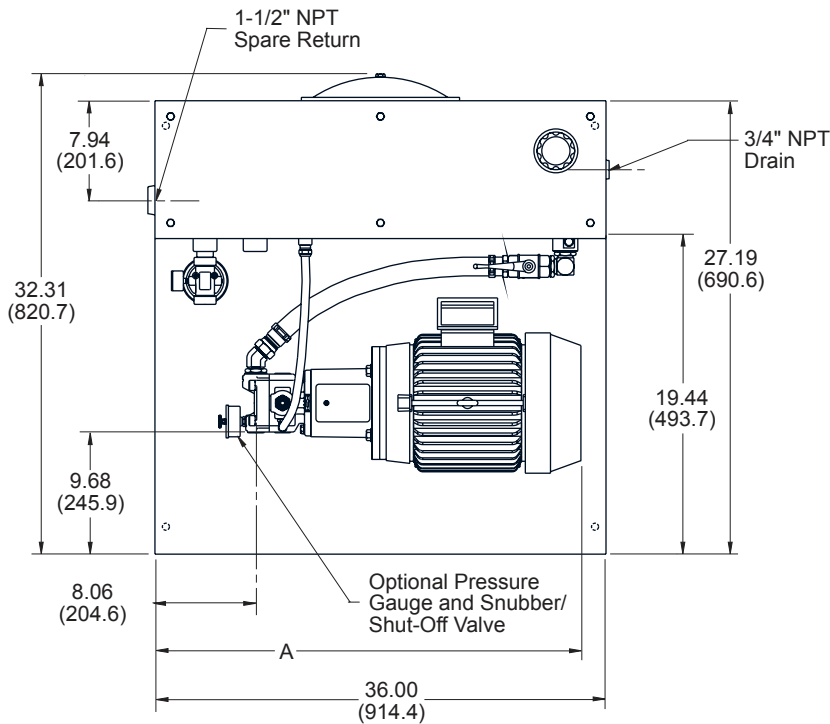
Dimension Drawing - With PVR6 Vane Pump

CONTINENTAL



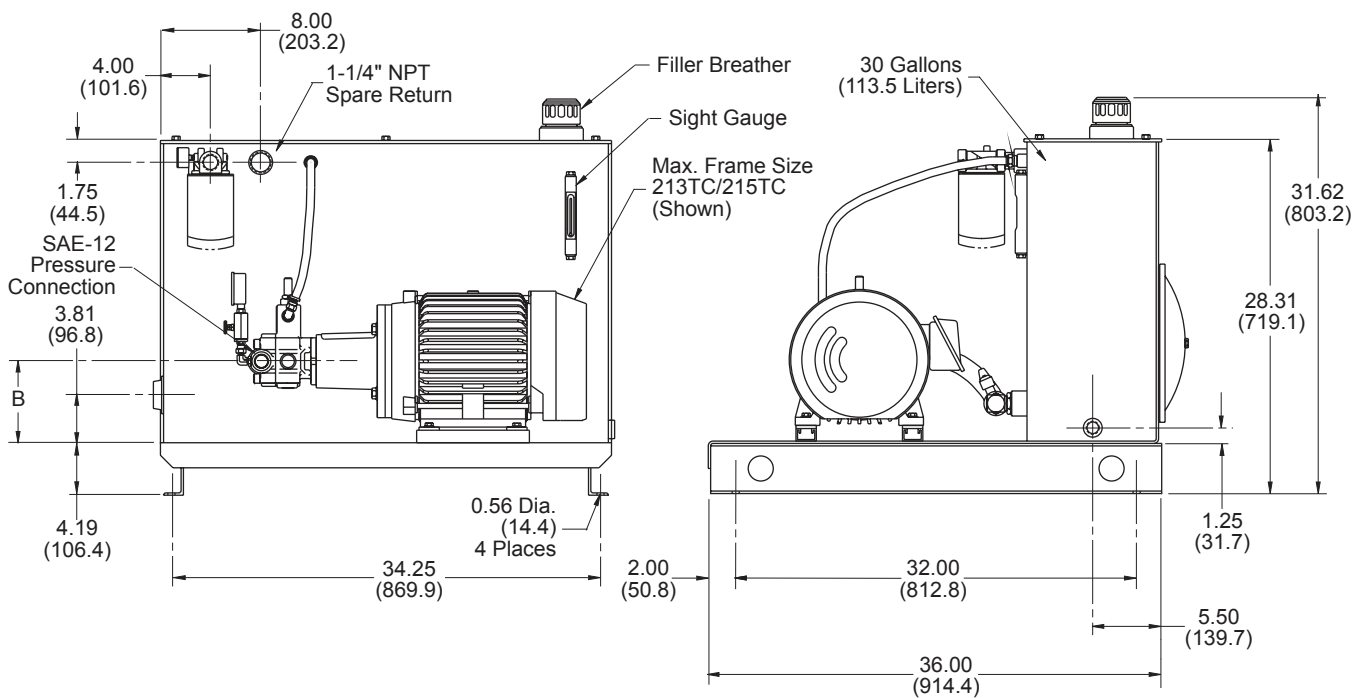
HYDRAULICS

Dimensions shown in: Inches (± .125)
 (millimeters (± 1 mm))



Dimensions

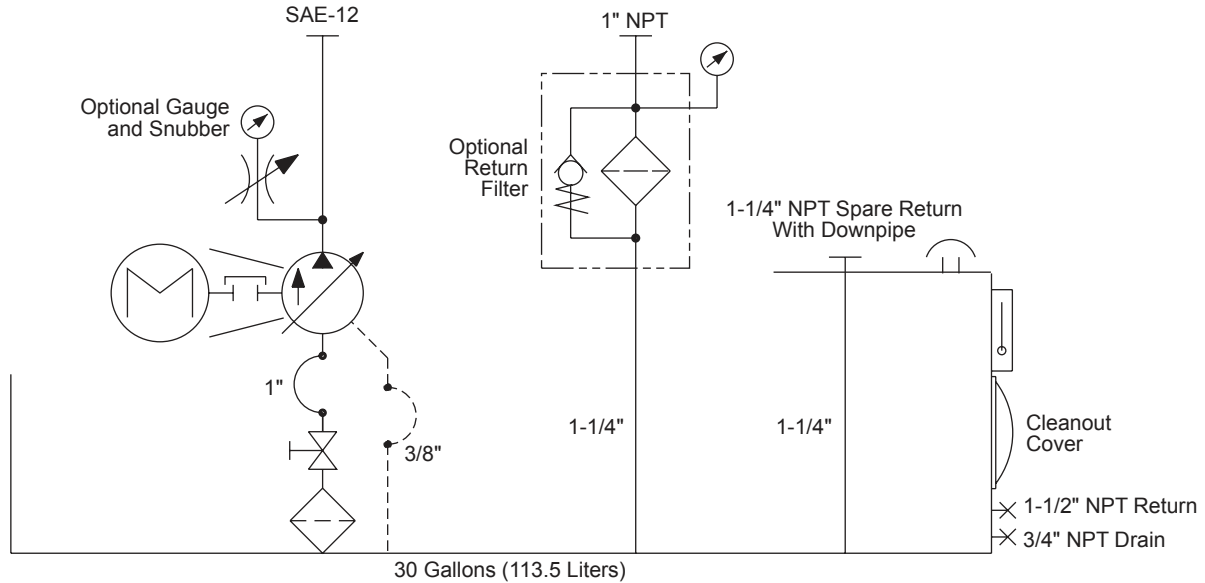
Motor Frame	A	B
143TC	27.00 (685.8)	4.75 (120.6)
145TC	27.00 (685.8)	4.75 (120.6)
182TC	29.13 (739.9)	5.75 (146.0)
184TC	30.13 (865.3)	5.75 (146.0)
213TC	32.25 (819.1)	6.50 (165.1)
215TC	33.75 (857.2)	6.50 (165.1)



L-Shaped Style Power Units

30 GALLON CAPACITY

Schematic and Specifications - With PVR6 Vane Pump



GENERAL SPECIFICATIONS	LR30
Reservoir Capacity	30 Gal. (113.5 liters)
Surface Area For Heat Transfer	17.47 sq. ft. (1.63 m ²)
Heat Dissipation	Sq. Ft. of Vertical Steel x ΔT / 1000
Basic Weight (Less Oil, Pump, and Motor)	330 lbs. (149.7 kg)
Usable Gallons	5.19 Gal. (19.6 liters)
Gallons Per Inch Rise	1.54 Gal. (5.8 liters)
Capacity, Full to Top Plate	36.75 Gal. (139.1 liters)
Capacity, High on Sight Gauge	30.50 Gal. (115.4 liters)
Capacity, Low on Sight Gauge	25.31 Gal. (95.8 liters)
Pump Data*	
Flow Range	Up to 10 gpm (37.8 lpm)
Pressure Range	Up to 2000 psi (138 bar)
Power Range	Up to 10 HP (7.5 kW)

* See Continental Hydraulics Vane Pump or Piston Pump Catalogs for complete codes and specifications.

L-Shaped Power Units

30 GALLON CAPACITY

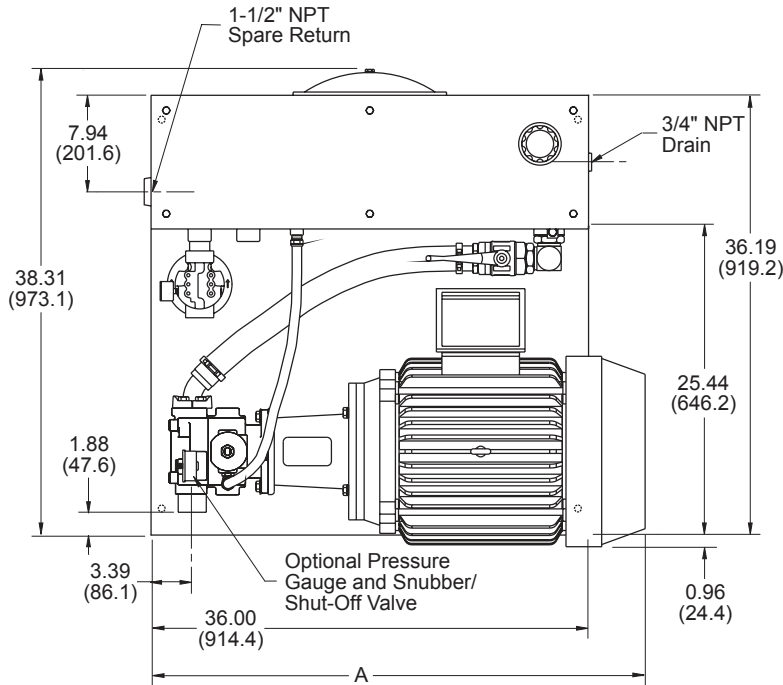
Dimension Drawing - With PVR15 Vane Pump

CONTINENTAL



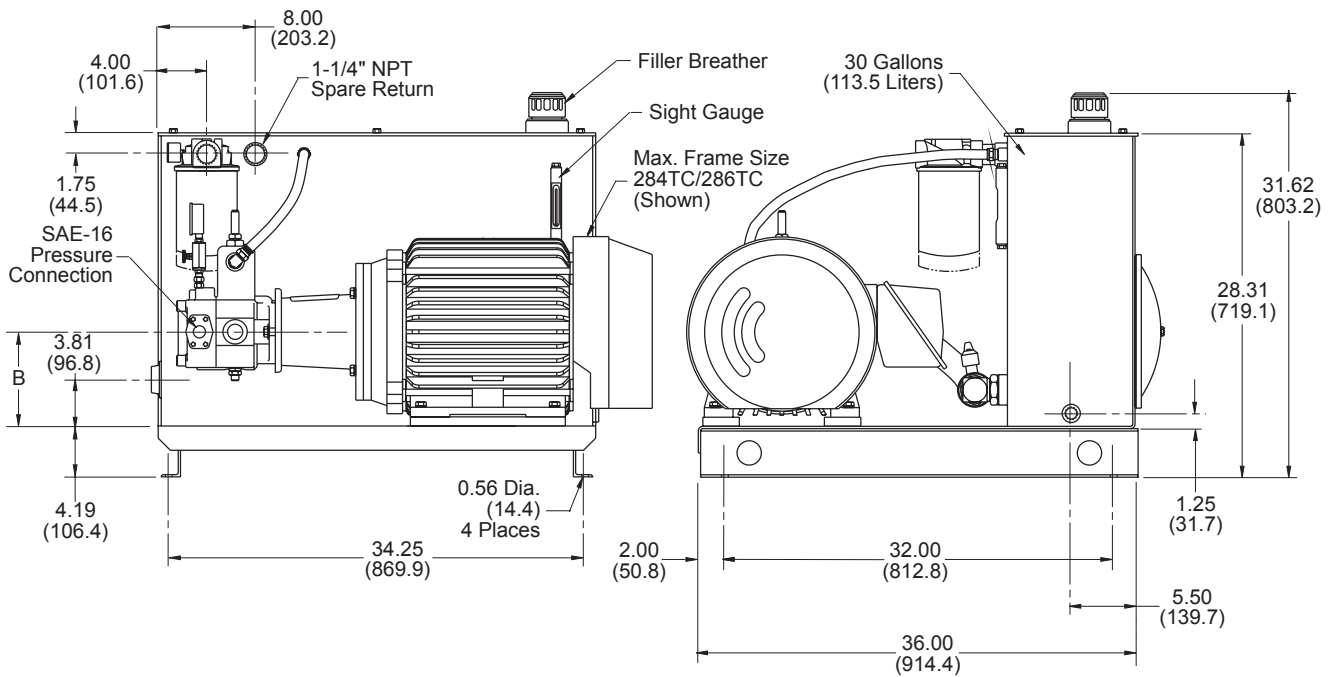
HYDRAULICS

Dimensions shown in: Inches (± .125)
(millimeters (± 1 mm))



Dimensions

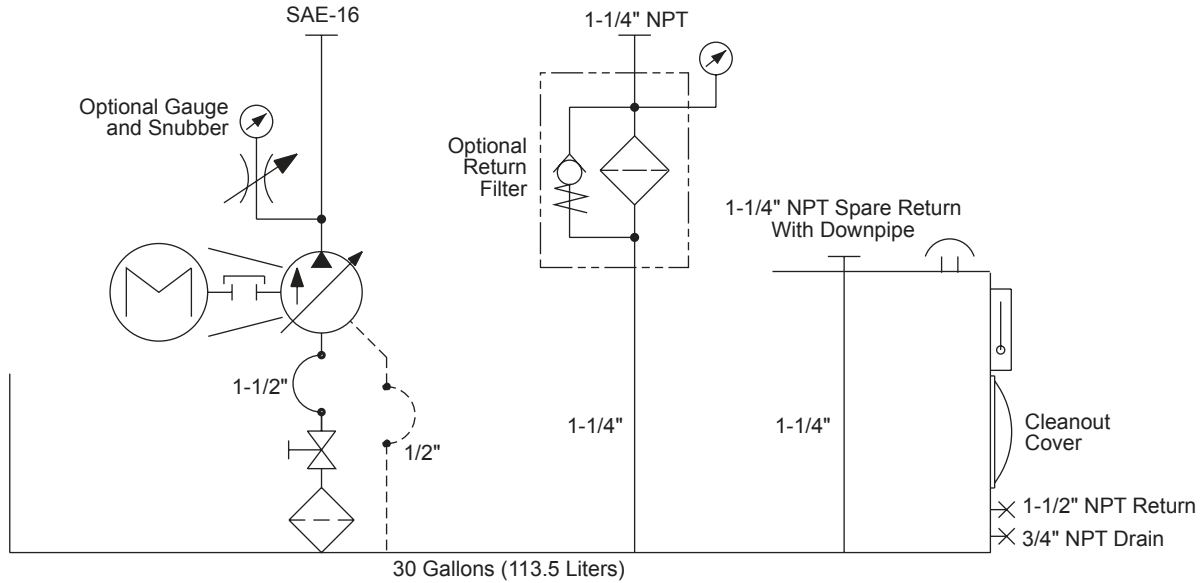
Motor Frame	A	B
182TC	26.63 (676.4)	5.75 (146.0)
184TC	27.63 (701.8)	5.75 (146.0)
213TC	30.13 (765.3)	6.50 (165.1)
215TC	31.63 (803.4)	6.50 (165.1)
254TC	35.94 (912.9)	7.00 (177.8)
256TC	37.63 (955.8)	7.00 (177.8)
284TC	39.44 (1001.8)	7.75 (196.8)
286TC	40.94 (1039.9)	7.75 (196.8)



L-Shaped Style Power Units

30 GALLON CAPACITY

Schematic and Specifications - With PVR15 Vane Pump



GENERAL SPECIFICATIONS	LR30
Reservoir Capacity	30 Gal. (113.5 liters)
Surface Area For Heat Transfer	17.47 sq. ft. (1.63 m ²)
Heat Dissipation	Sq. Ft. of Vertical Steel x ΔT / 1000
Basic Weight (Less Oil, Pump, and Motor)	355 lbs. (161.0 kg)
Usable Gallons	5.19 Gal. (19.6 liters)
Gallons Per Inch Rise	1.54 Gal. (5.8 liters)
Capacity, Full to Top Plate	36.75 Gal. (139.1 liters)
Capacity, High on Sight Gauge	30.50 Gal. (115.4 liters)
Capacity, Low on Sight Gauge	25.31 Gal. (95.8 liters)
Pump Data*	
Flow Range	Up to 30 gpm (113.5 lpm)
Pressure Range	Up to 2000 psi (138 bar)
Power Range	Up to 30 HP (22.4 kW)

* See Continental Hydraulics Vane Pump or Piston Pump Catalogs for complete codes and specifications.

L-Shaped Power Units

30 GALLON CAPACITY

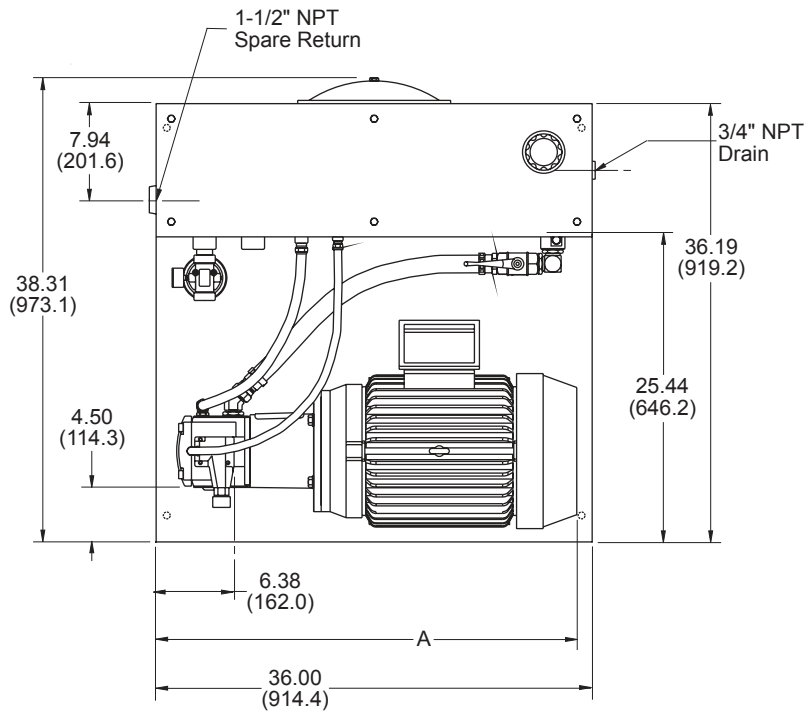
Dimension Drawing - With PVX8 Vane Pump

CONTINENTAL



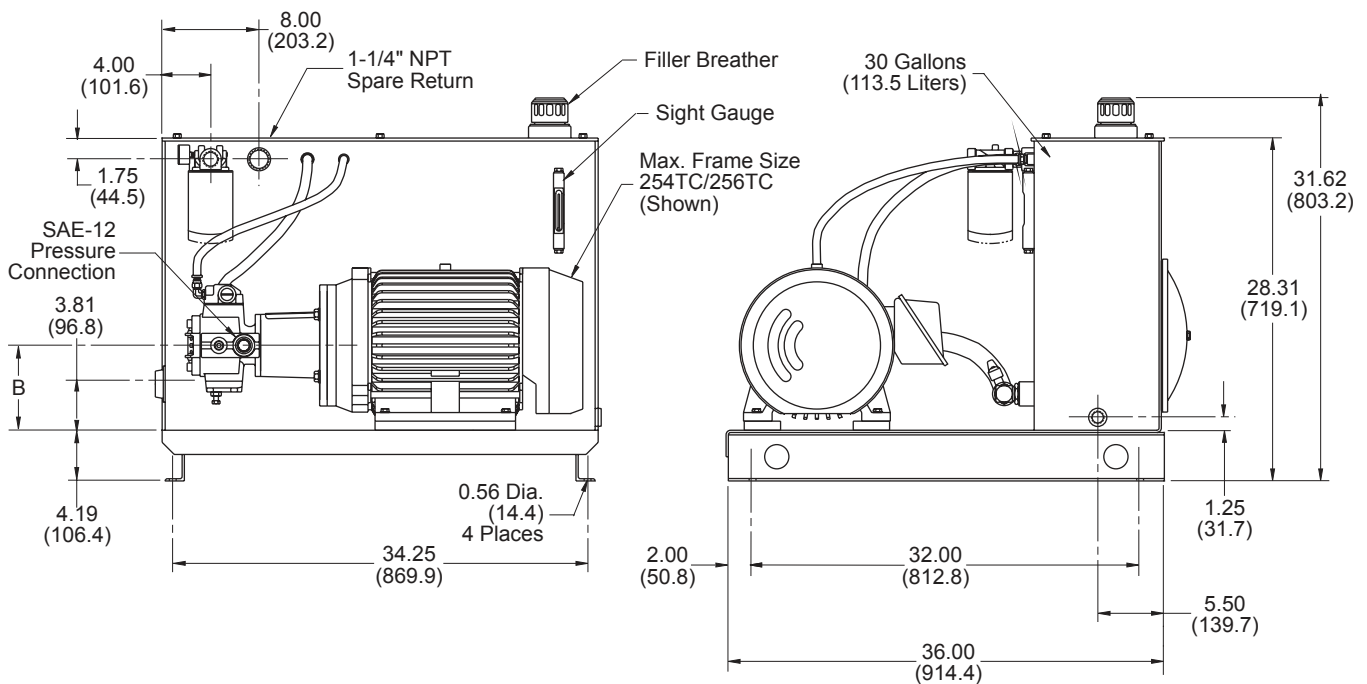
HYDRAULICS

Dimensions shown in: Inches (± .125)
 (millimeters (± 1 mm))



Dimensions

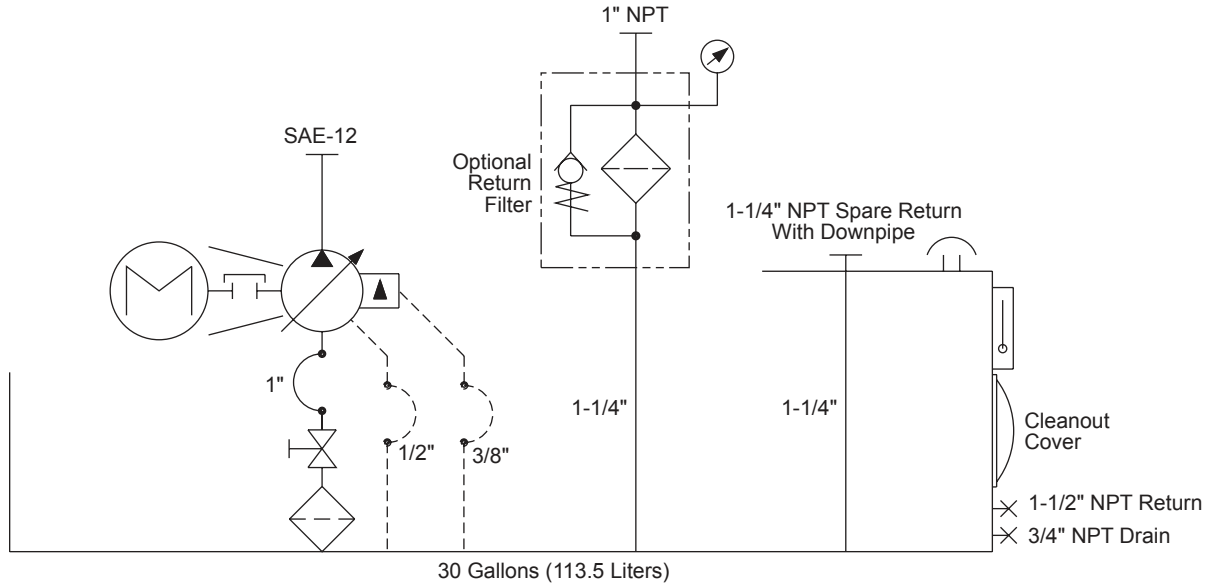
Motor Frame	A	B
182TC	24.44 (620.8)	5.75 (146.0)
184TC	25.44 (646.2)	5.75 (146.0)
213TC	27.63 (701.8)	6.50 (165.1)
215TC	29.06 (738.1)	6.50 (165.1)
254TC	33.06 (839.7)	7.00 (177.8)
256TC	34.75 (882.6)	7.00 (177.8)



L-Shaped Style Power Units

30 GALLON CAPACITY

Schematic and Specifications - With PVX8 Vane Pump



GENERAL SPECIFICATIONS	LR30
Reservoir Capacity	30 Gal. (113.5 liters)
Surface Area For Heat Transfer	17.47 sq. ft. (1.63 m ²)
Heat Dissipation	Sq. Ft. of Vertical Steel x ΔT / 1000
Basic Weight (Less Oil, Pump, and Motor)	347 lbs. (157.4 kg)
Usable Gallons	5.19 Gal. (19.6 liters)
Gallons Per Inch Rise	1.54 Gal. (5.8 liters)
Capacity, Full to Top Plate	36.75 Gal. (139.1 liters)
Capacity, High on Sight Gauge	30.50 Gal. (115.4 liters)
Capacity, Low on Sight Gauge	25.31 Gal. (95.8 liters)
Pump Data*	
Flow Range	Up to 8 gpm (30.3 lpm)
Pressure Range	Up to 3000 psi (207 bar)
Power Range	Up to 20 HP (14.9 kW)

* See Continental Hydraulics Vane Pump or Piston Pump Catalogs for complete codes and specifications.

L-Shaped Power Units

30 GALLON CAPACITY

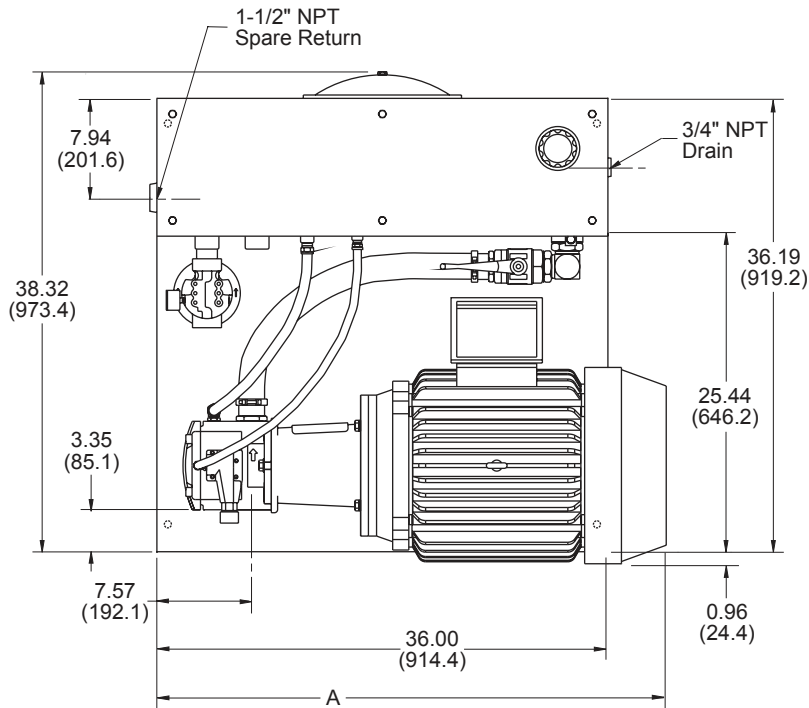
Dimension Drawing - With PVX11/15 Vane Pump

CONTINENTAL



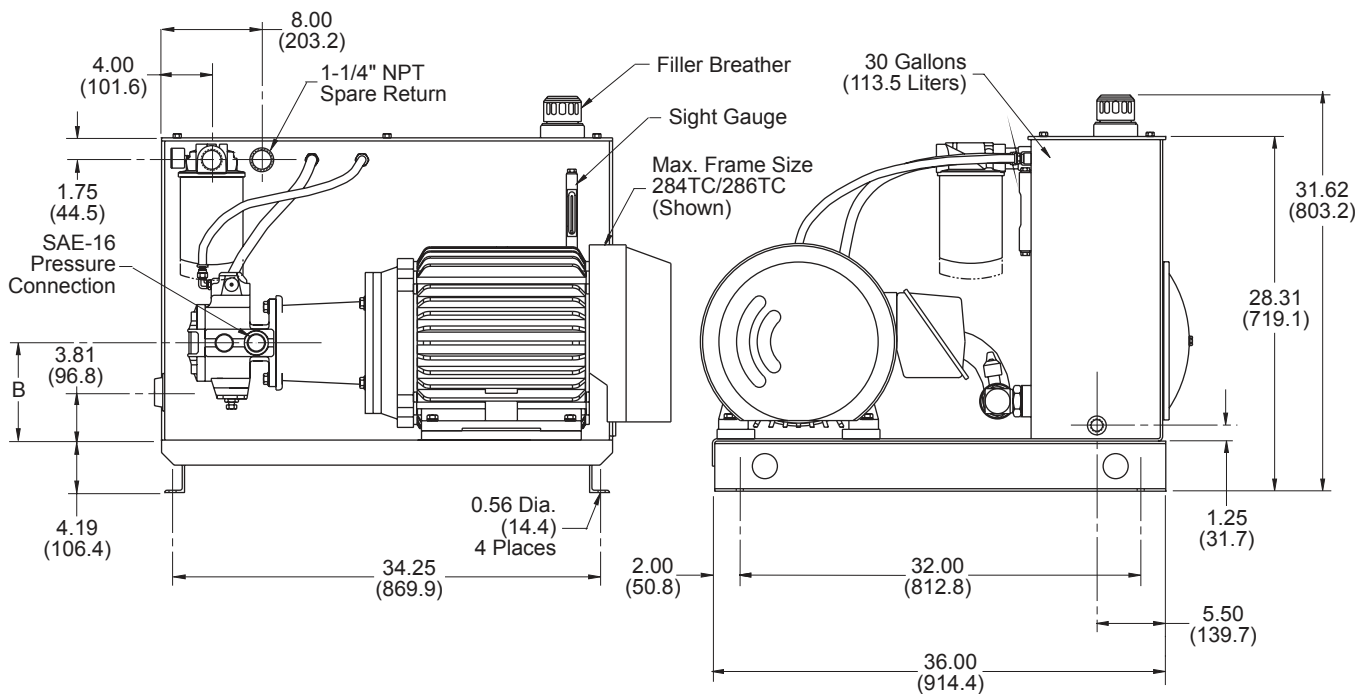
HYDRAULICS

Dimensions shown in: Inches (± .125)
(millimeters (± 1 mm))



Dimensions

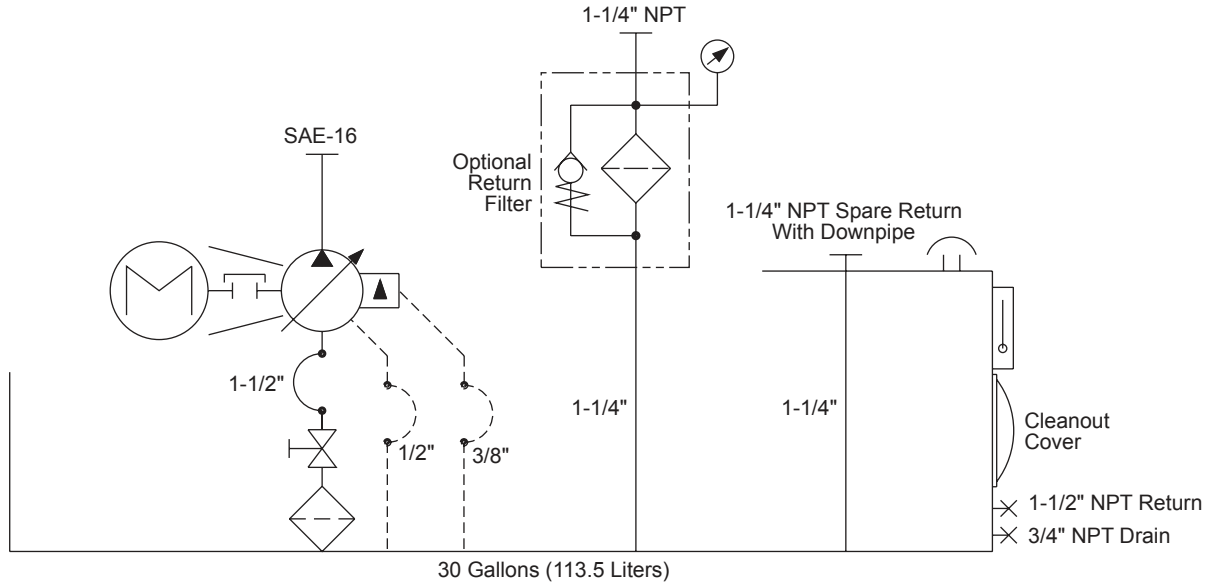
Motor Frame	A	B
182TC	26.13 (663.7)	5.75 (146.0)
184TC	27.06 (687.3)	5.75 (146.0)
213TC	29.63 (752.6)	6.50 (165.1)
215TC	31.13 (790.7)	6.50 (165.1)
254TC	35.44 (900.2)	7.00 (177.8)
256TC	37.13 (943.1)	7.00 (177.8)
284TC	38.94 (989.1)	7.75 (196.8)
286TC	40.44 (1027.2)	7.75 (196.8)



L-Shaped Style Power Units

30 GALLON CAPACITY

Schematic and Specifications - With PVX11/15 Vane Pump



GENERAL SPECIFICATIONS	LR30
Reservoir Capacity	30 Gal. (113.5 liters)
Surface Area For Heat Transfer	17.47 sq. ft. (1.63 m ²)
Heat Dissipation	Sq. Ft. of Vertical Steel x ΔT / 1000
Basic Weight (Less Oil, Pump, and Motor)	360 lbs. (163.3 kg)
Usable Gallons	5.19 Gal. (19.6 liters)
Gallons Per Inch Rise	1.54 Gal. (5.8 liters)
Capacity, Full to Top Plate	36.75 Gal. (139.1 liters)
Capacity, High on Sight Gauge	30.50 Gal. (115.4 liters)
Capacity, Low on Sight Gauge	25.31 Gal. (95.8 liters)
Pump Data*	
Flow Range	Up to 15 gpm (56.8 lpm)
Pressure Range	Up to 3000 psi (207 bar)
Power Range	Up to 30 HP (22.4 kW)

* See Continental Hydraulics Vane Pump or Piston Pump Catalogs for complete codes and specifications.

L-Shaped Power Units

30 GALLON CAPACITY

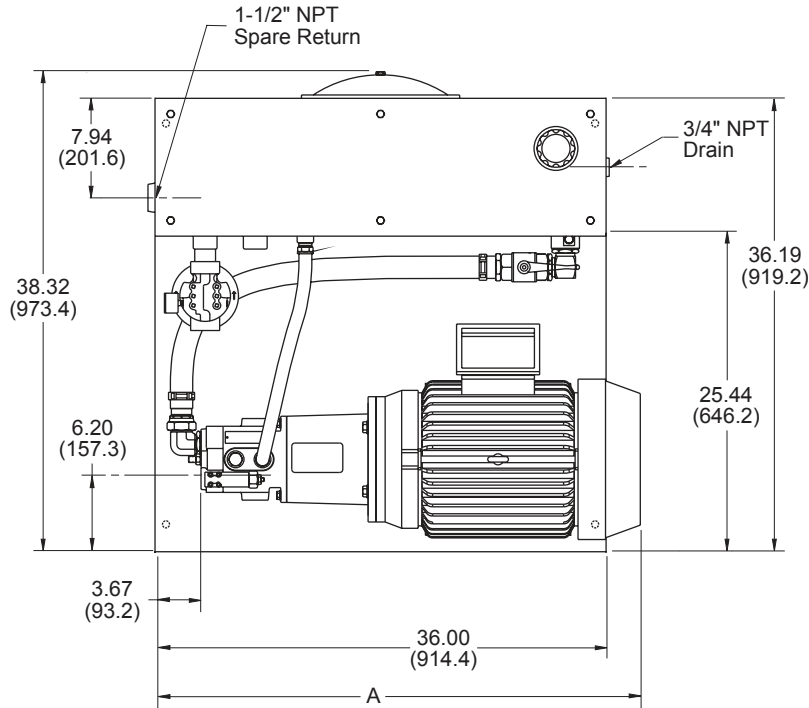
Dimension Drawing - With HPV10 Piston Pump

CONTINENTAL



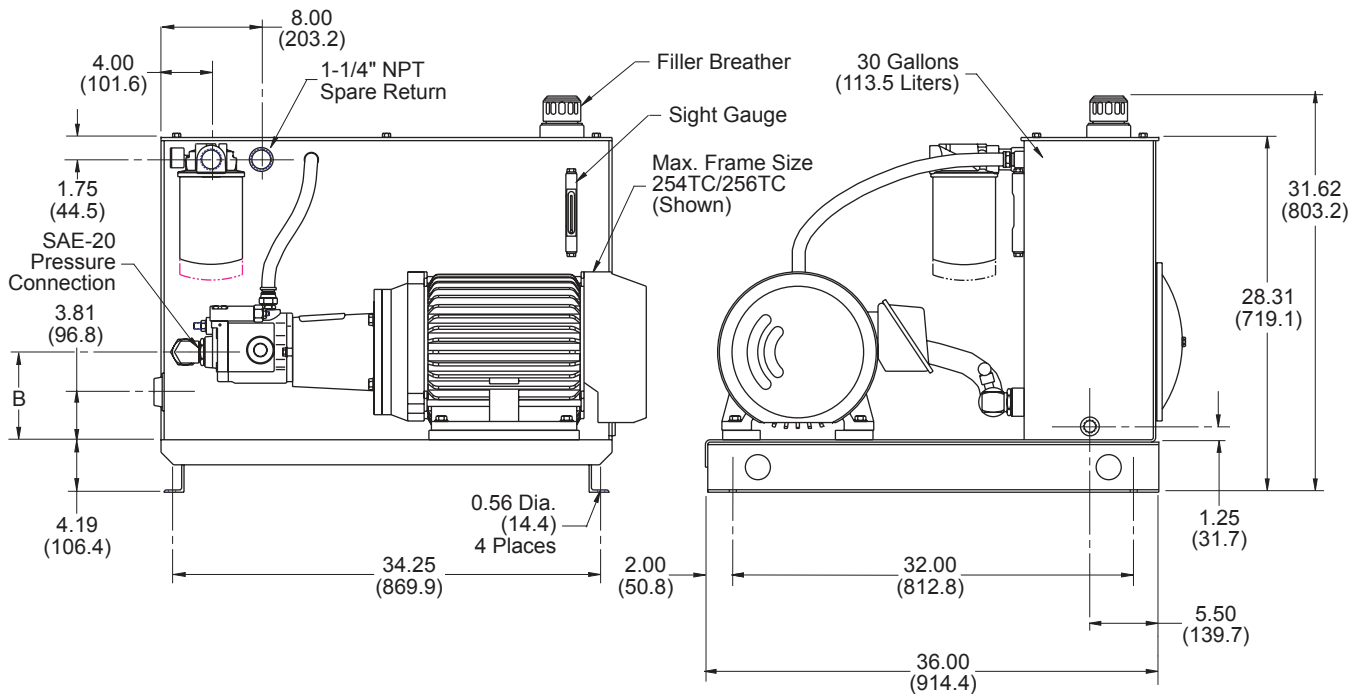
HYDRAULICS

Dimensions shown in: Inches (± .125)
(millimeters (± 1 mm))



Dimensions

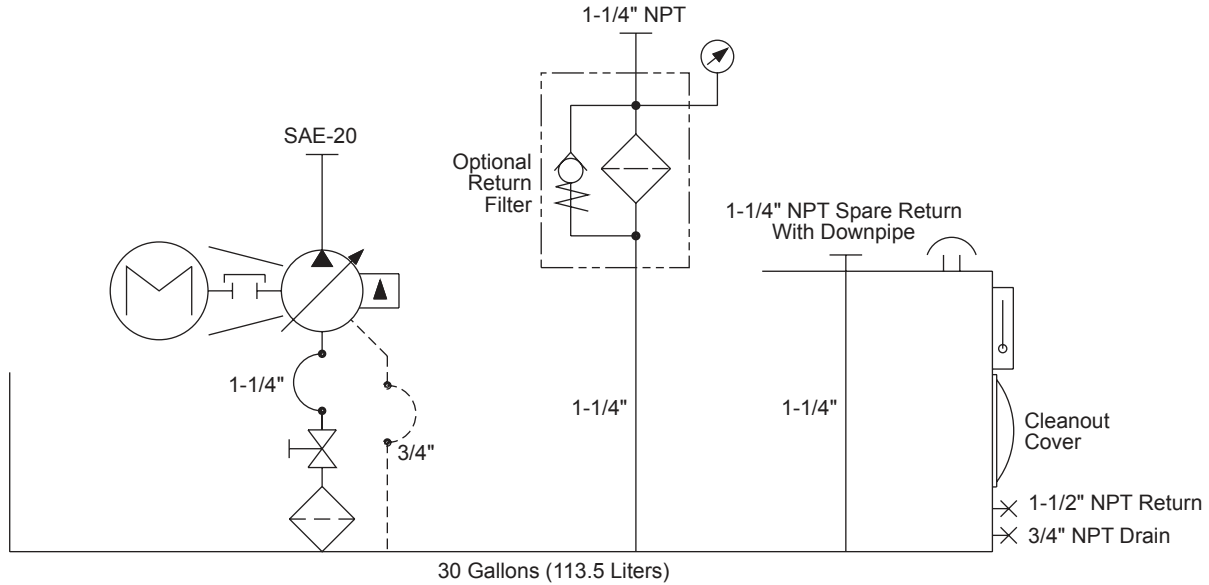
Motor Frame	A	B
182TC	27.94 (709.7)	5.75 (146.0)
184TC	28.94 (735.1)	5.75 (146.0)
213TC	31.44 (798.6)	6.50 (165.1)
215TC	32.94 (836.7)	6.50 (165.1)
254TC	37.31 (947.7)	7.00 (177.8)
256TC	39.00 (990.6)	7.00 (177.8)



L-Shaped Style Power Units

30 GALLON CAPACITY

Schematic and Specifications - With HPV10 Piston Pump



GENERAL SPECIFICATIONS	LR30
Reservoir Capacity	30 Gal. (113.5 liters)
Surface Area For Heat Transfer	17.47 sq. ft. (1.63 m ²)
Heat Dissipation	Sq. Ft. of Vertical Steel x ΔT / 1000
Basic Weight (Less Oil, Pump, and Motor)	353 lbs. (160.1 kg)
Usable Gallons	5.19 Gal. (19.6 liters)
Gallons Per Inch Rise	1.54 Gal. (5.8 liters)
Capacity, Full to Top Plate	36.75 Gal. (139.1 liters)
Capacity, High on Sight Gauge	30.50 Gal. (115.4 liters)
Capacity, Low on Sight Gauge	25.31 Gal. (95.8 liters)
Pump Data*	
Flow Range	Up to 10 gpm (37.8 lpm)
Pressure Range	Up to 3500 psi (241 bar)
Power Range	Up to 20 HP (14.9 kW)

* See Continental Hydraulics Vane Pump or Piston Pump Catalogs for complete codes and specifications.

L-Shaped Power Units

45 GALLON CAPACITY

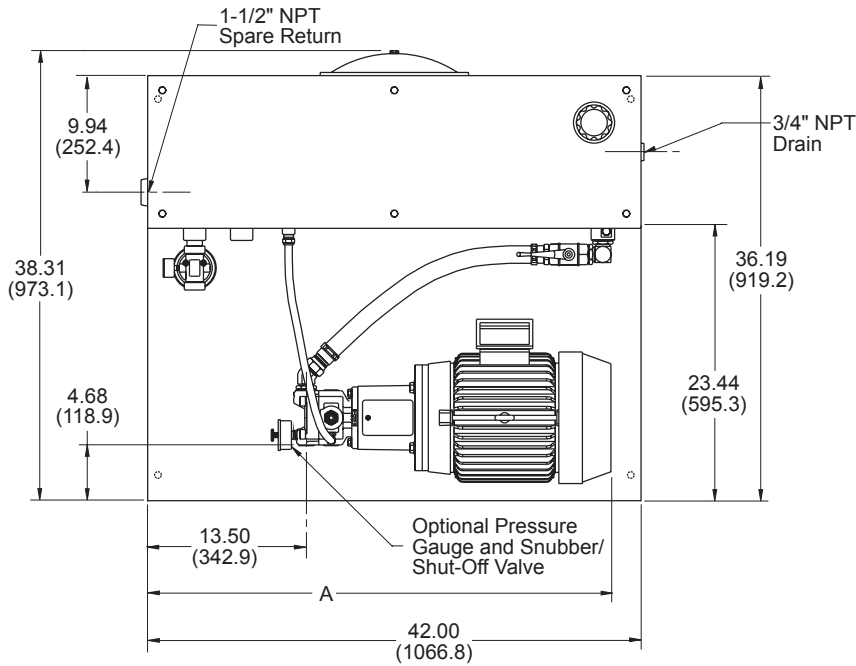
Dimension Drawing - With PVR6 Vane Pump

CONTINENTAL



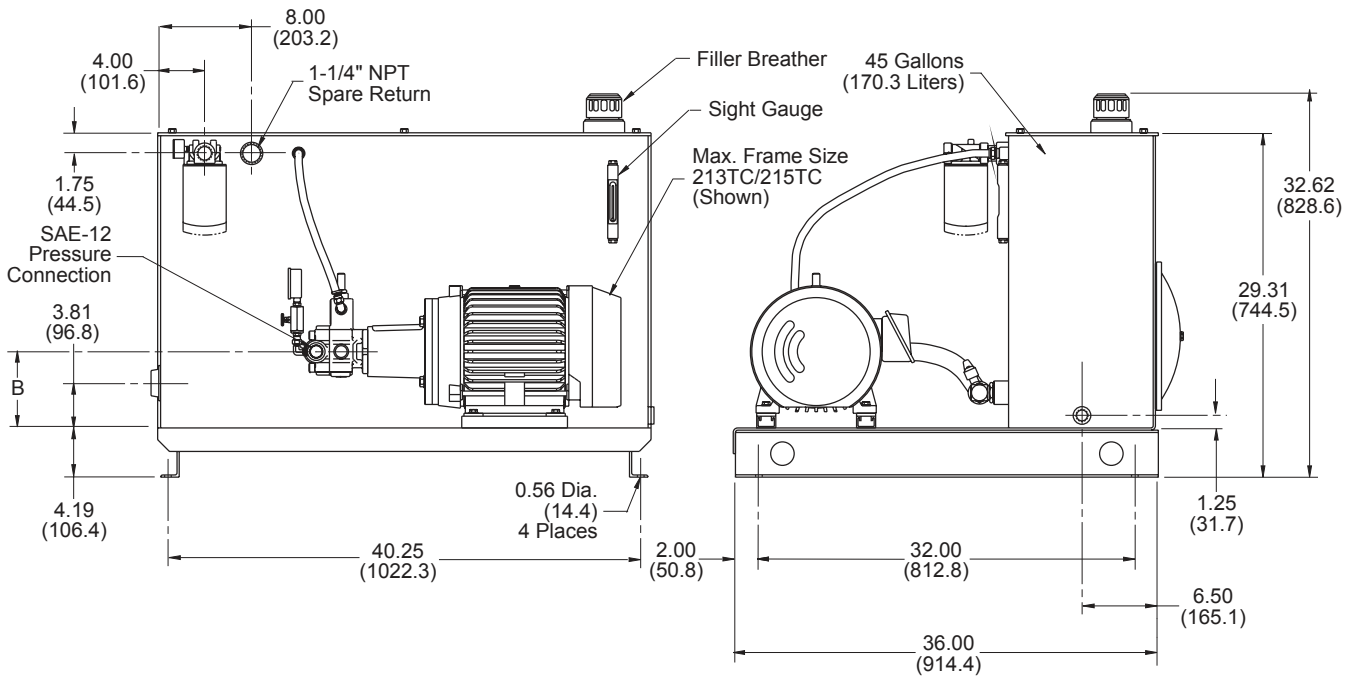
HYDRAULICS

Dimensions shown in: Inches (± .125)
 (millimeters (± 1 mm))



Dimensions

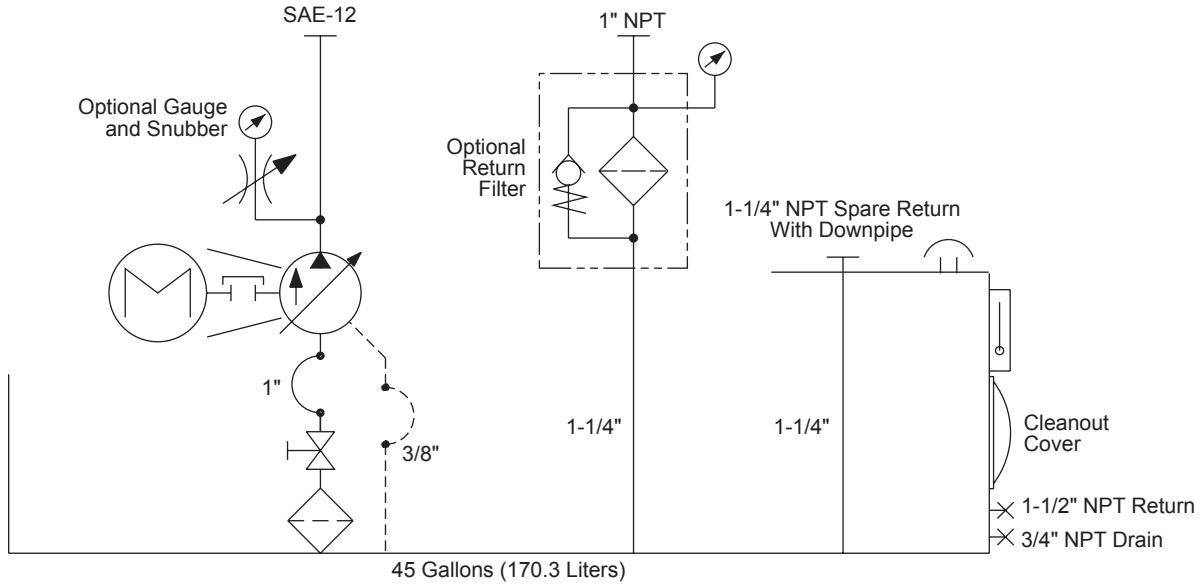
Motor Frame	A	B
143TC	32.44 (824.0)	4.75 (120.6)
145TC	32.44 (824.0)	4.75 (120.6)
182TC	34.56 (877.8)	5.75 (146.0)
184TC	35.56 (903.2)	5.75 (146.0)
213TC	37.69 (957.3)	6.50 (165.1)
215TC	39.19 (995.4)	6.50 (165.1)



L-Shaped Style Power Units

45 GALLON CAPACITY

Schematic and Specifications - With PVR6 Vane Pump



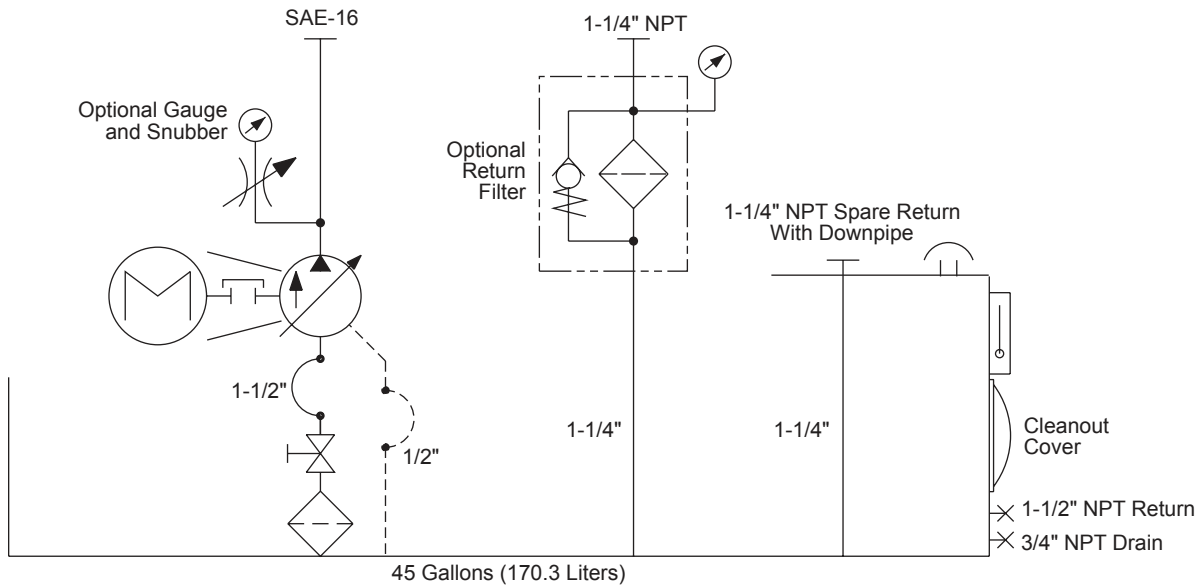
GENERAL SPECIFICATIONS	LR45
Reservoir Capacity	45 Gal. (170.3 liters)
Surface Area For Heat Transfer	21.86 sq. ft. (2.03 m ²)
Heat Dissipation	Sq. Ft. of Vertical Steel x ΔT / 1000
Basic Weight (Less Oil, Pump, and Motor)	402 lbs. (182.3 kg)
Usable Gallons	7.29 Gal. (27.6 liters)
Gallons Per Inch Rise	2.16 Gal. (8.2 liters)
Capacity, Full to Top Plate	53.70 Gal. (203.3 liters)
Capacity, High on Sight Gauge	45.20 Gal. (171.1 liters)
Capacity, Low on Sight Gauge	37.91 Gal. (143.5 liters)
Pump Data*	
Flow Range	Up to 10 gpm (37.8 lpm)
Pressure Range	Up to 2000 psi (138 bar)
Power Range	Up to 10 HP (7.5 kW)

* See Continental Hydraulics Vane Pump or Piston Pump Catalogs for complete codes and specifications.

L-Shaped Style Power Units

45 GALLON CAPACITY

Schematic and Specifications - With PVR15 Vane Pump



GENERAL SPECIFICATIONS	LR45
Reservoir Capacity	45 Gal. (170.3 liters)
Surface Area For Heat Transfer	21.86 sq. ft. (2.03 m ²)
Heat Dissipation	Sq. Ft. of Vertical Steel x ΔT / 1000
Basic Weight (Less Oil, Pump, and Motor)	434 lbs. (196.9 kg)
Usable Gallons	7.29 Gal. (27.6 liters)
Gallons Per Inch Rise	2.16 Gal. (8.2 liters)
Capacity, Full to Top Plate	53.70 Gal. (203.3 liters)
Capacity, High on Sight Gauge	45.20 Gal. (171.1 liters)
Capacity, Low on Sight Gauge	37.91 Gal. (143.5 liters)
Pump Data*	
Flow Range	Up to 30 gpm (113.5 lpm)
Pressure Range	Up to 2000 psi (138 bar)
Power Range	Up to 30 HP (22.4 kW)

* See Continental Hydraulics Vane Pump or Piston Pump Catalogs for complete codes and specifications.

L-Shaped Power Units

45 GALLON CAPACITY

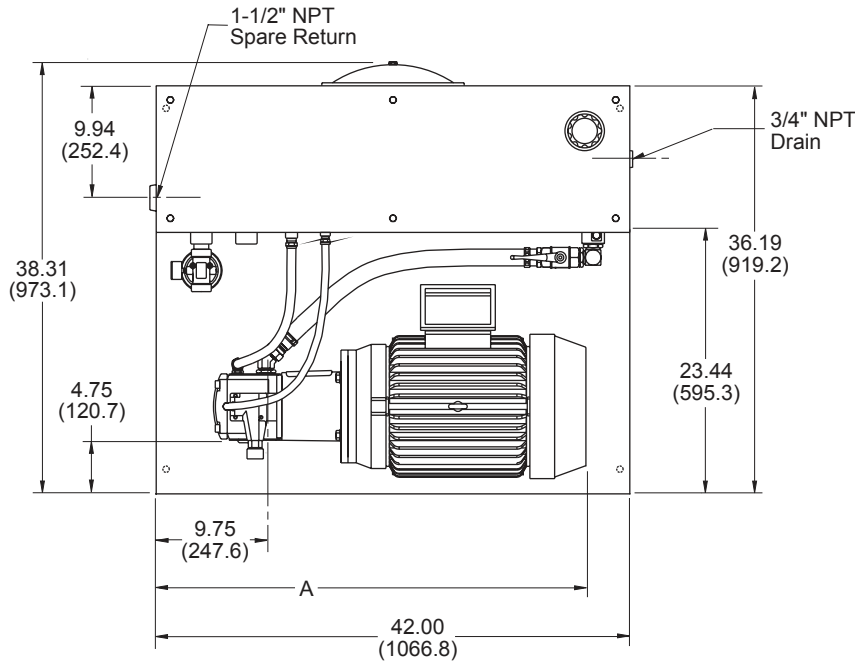
Dimension Drawing - With PVX8 Vane Pump

CONTINENTAL



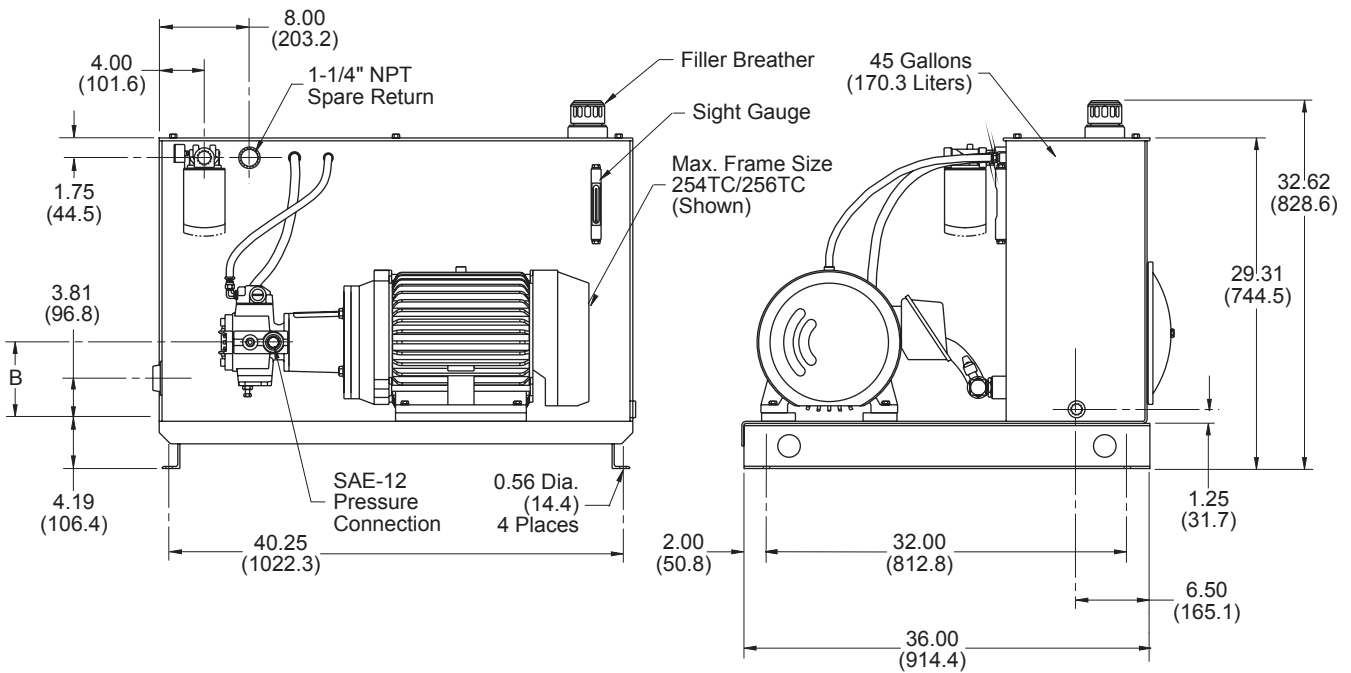
HYDRAULICS

Dimensions shown in: Inches (± .125)
 (millimeters (± 1 mm))



Dimensions

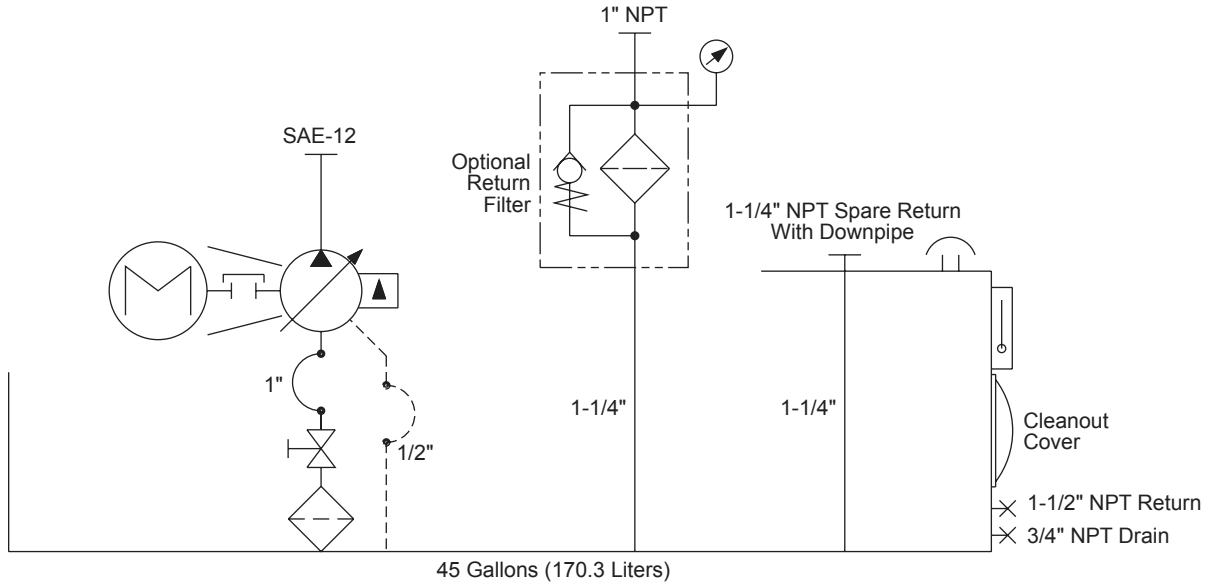
Motor Frame	A	B
182TC	27.81 (706.4)	5.75 (146.0)
184TC	28.81 (731.8)	5.75 (146.0)
213TC	30.94 (785.9)	6.50 (165.1)
215TC	32.44 (824.0)	6.50 (165.1)
254TC	36.44 (925.6)	7.00 (177.8)
256TC	38.13 (968.5)	7.00 (177.8)



L-Shaped Style Power Units

45 GALLON CAPACITY

Schematic and Specifications - With PVX8 Vane Pump



GENERAL SPECIFICATIONS	LR45
Reservoir Capacity	45 Gal. (170.3 liters)
Surface Area For Heat Transfer	21.86 sq. ft. (2.03 m ²)
Heat Dissipation	Sq. Ft. of Vertical Steel x ΔT / 1000
Basic Weight (Less Oil, Pump, and Motor)	425 lbs. (192.8 kg)
Usable Gallons	7.29 Gal. (27.6 liters)
Gallons Per Inch Rise	2.16 Gal. (8.2 liters)
Capacity, Full to Top Plate	53.70 Gal. (203.3 liters)
Capacity, High on Sight Gauge	45.20 Gal. (171.1 liters)
Capacity, Low on Sight Gauge	37.91 Gal. (143.5 liters)
Pump Data*	
Flow Range	Up to 8 gpm (30.3 lpm)
Pressure Range	Up to 3000 psi (207 bar)
Power Range	Up to 20 HP (14.9 kW)

* See Continental Hydraulics Vane Pump or Piston Pump Catalogs for complete codes and specifications.

L-Shaped Power Units

45 GALLON CAPACITY

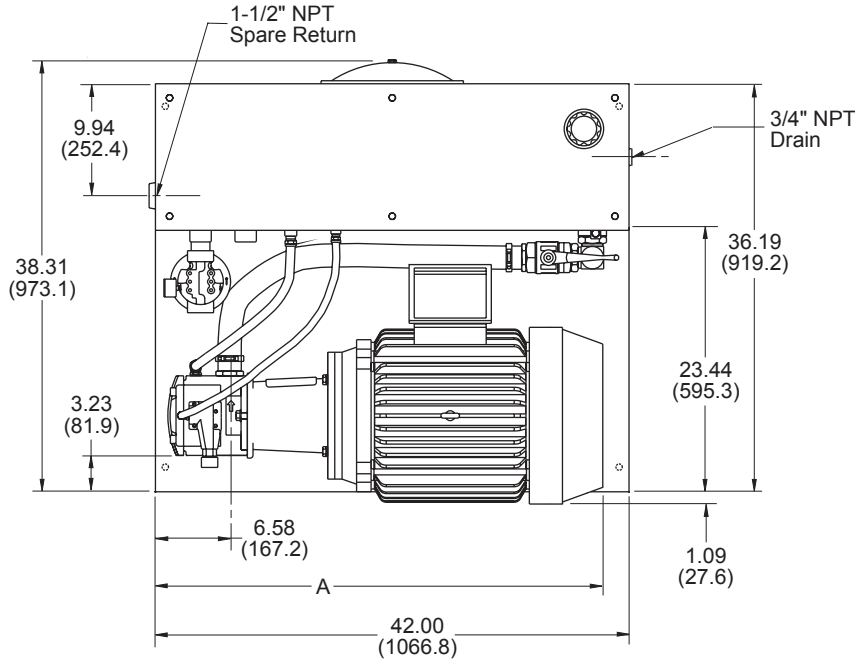
Dimension Drawing - With PVX11/15 Vane Pump

CONTINENTAL



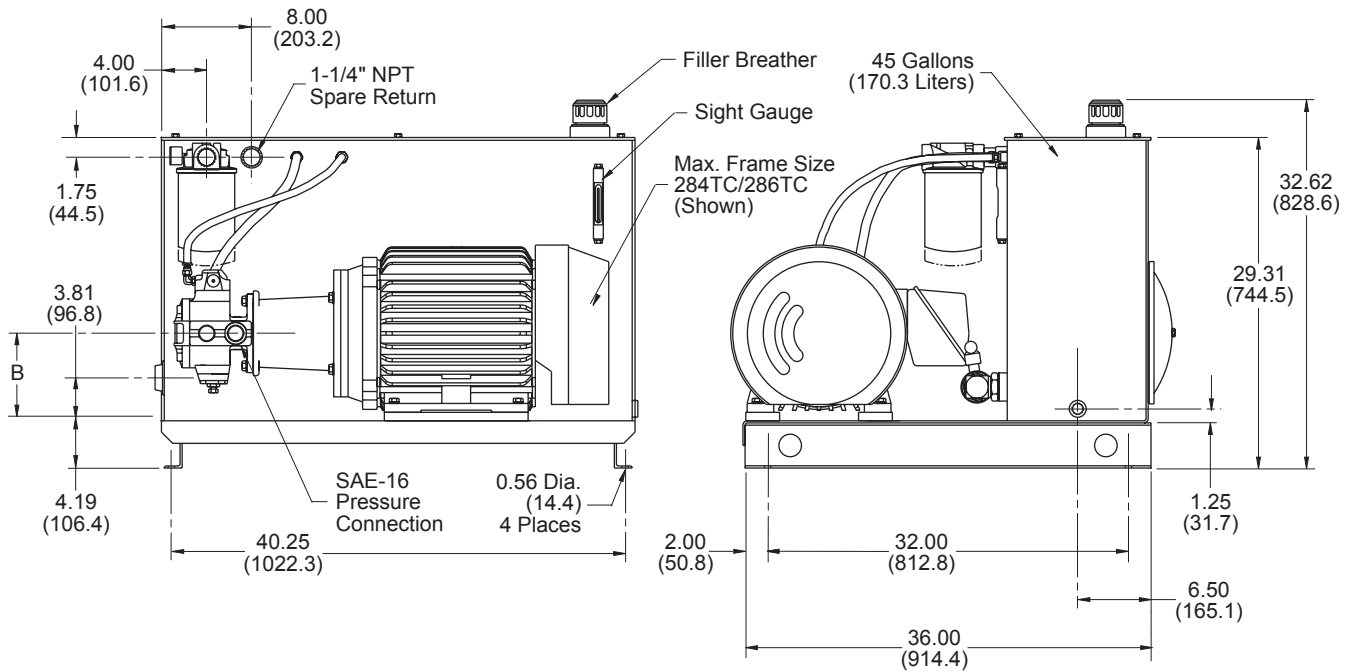
HYDRAULICS

Dimensions shown in: Inches (± .125)
millimeters (± 1 mm)



Dimensions

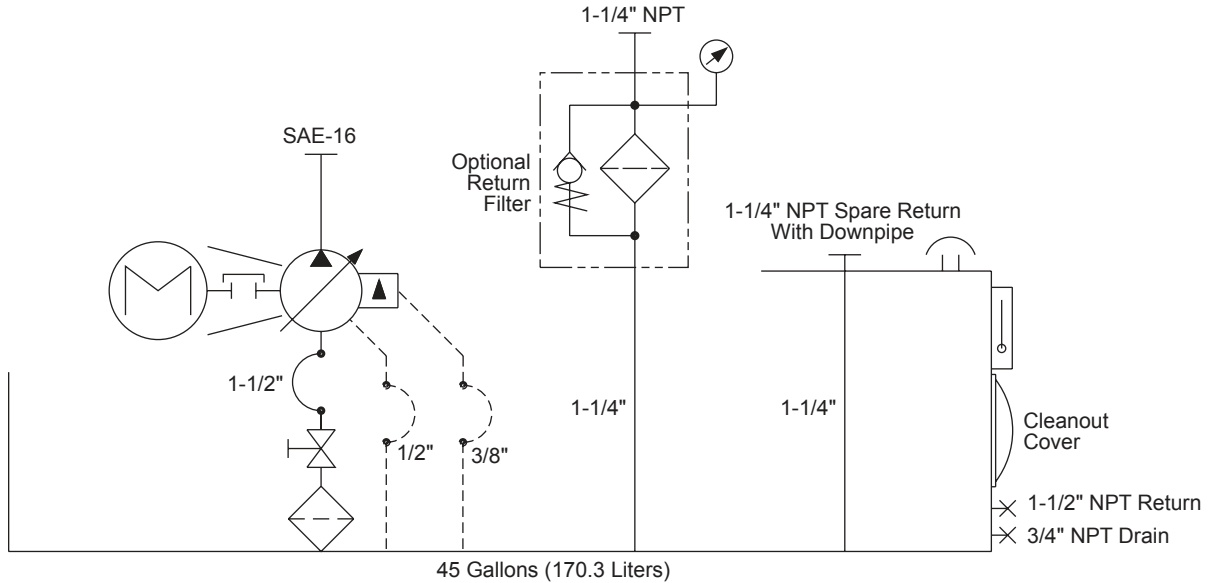
Motor Frame	A	B
182TC	25.06 (636.5)	5.75 (146.0)
184TC	26.06 (661.9)	5.75 (146.0)
213TC	28.63 (727.2)	6.50 (165.1)
215TC	30.06 (763.5)	6.50 (165.1)
254TC	34.44 (874.8)	7.00 (177.8)
256TC	36.13 (917.7)	7.00 (177.8)
284TC	37.94 (963.7)	7.75 (196.8)
286TC	39.44 (1001.8)	7.75 (196.8)



L-Shaped Style Power Units

45 GALLON CAPACITY

Schematic and Specifications - With PVX11/15 Vane Pump



GENERAL SPECIFICATIONS	LR45
Reservoir Capacity	45 Gal. (170.3 liters)
Surface Area For Heat Transfer	21.86 sq. ft. (2.03 m ²)
Heat Dissipation	Sq. Ft. of Vertical Steel x $\Delta T / 1000$
Basic Weight (Less Oil, Pump, and Motor)	437 lbs. (198.2 kg)
Usable Gallons	7.29 Gal. (27.6 liters)
Gallons Per Inch Rise	2.16 Gal. (8.2 liters)
Capacity, Full to Top Plate	53.70 Gal. (203.3 liters)
Capacity, High on Sight Gauge	45.20 Gal. (171.1 liters)
Capacity, Low on Sight Gauge	37.91 Gal. (143.5 liters)
Pump Data*	
Flow Range	Up to 15 gpm (56.8 lpm)
Pressure Range	Up to 3000 psi (207 bar)
Power Range	Up to 30 HP (22.4 kW)

* See Continental Hydraulics Vane Pump or Piston Pump Catalogs for complete codes and specifications.

L-Shaped Power Units

45 GALLON CAPACITY

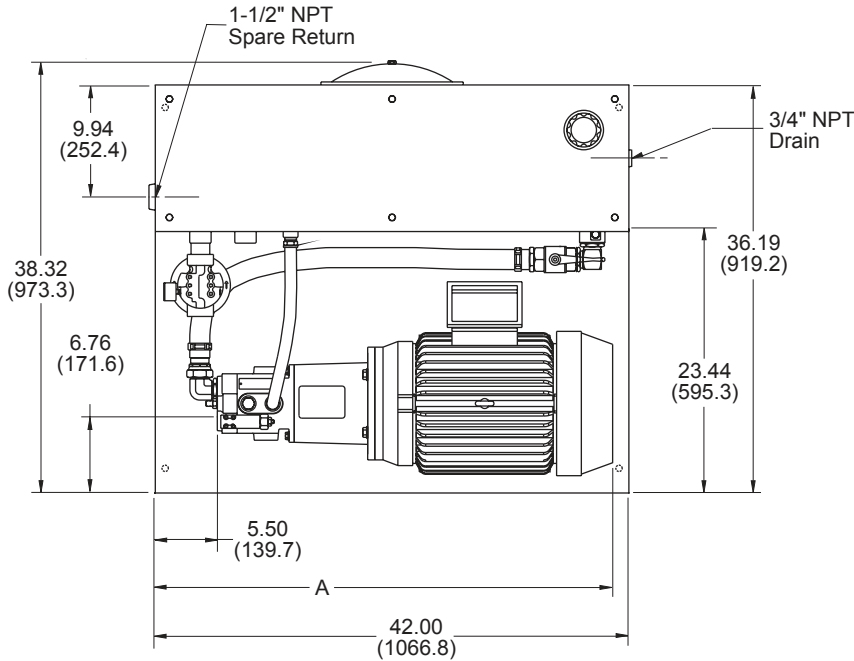
Dimension Drawing - With HPV10 Piston Pump

CONTINENTAL



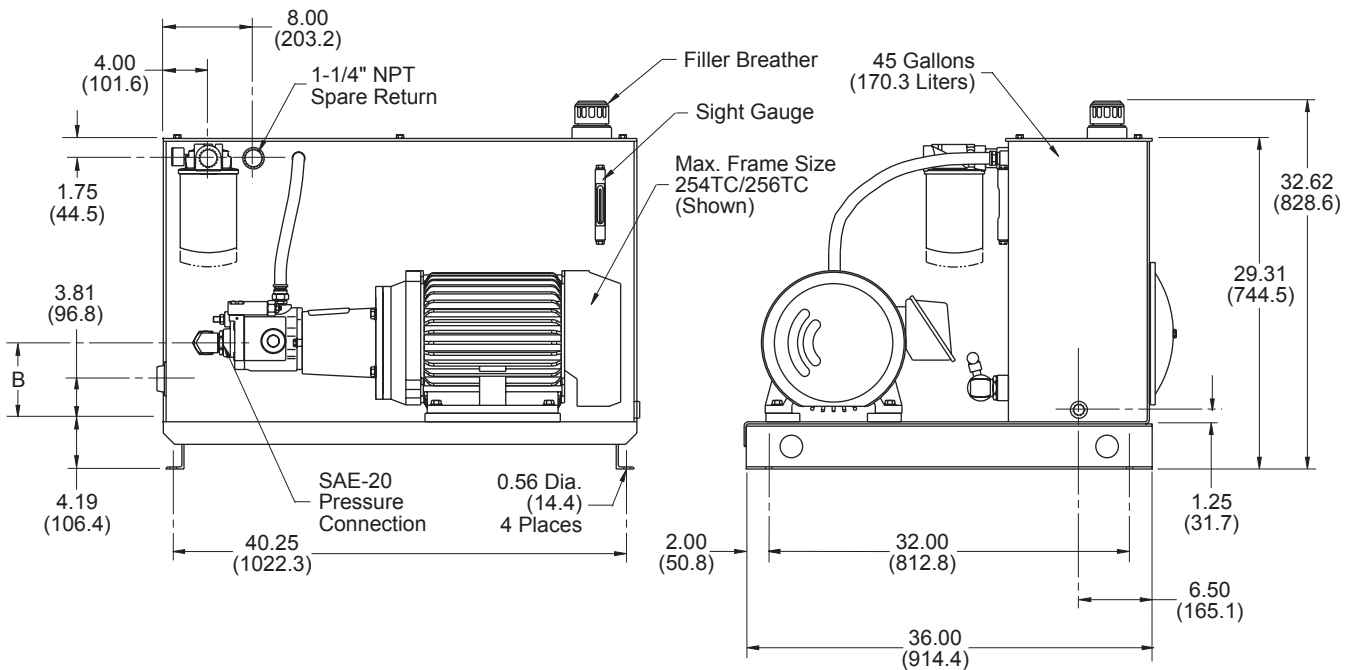
HYDRAULICS

Dimensions shown in: Inches (± .125)
(millimeters (± 1 mm))



Dimensions

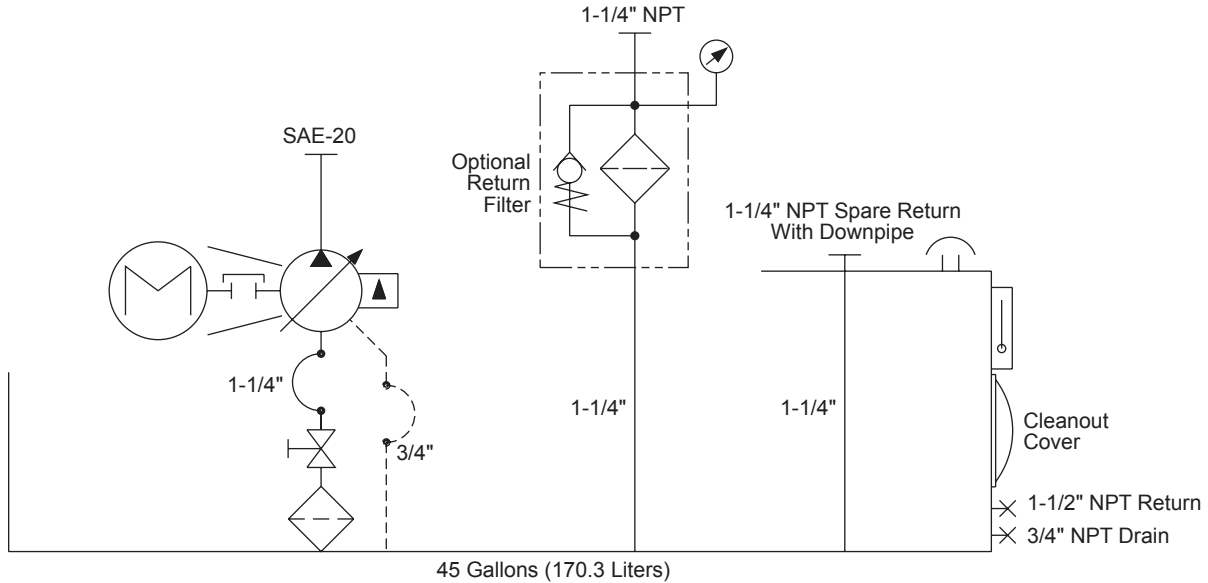
Motor Frame	A	B
182TC	29.75 (755.6)	5.75 (146.0)
184TC	30.75 (781.0)	5.75 (146.0)
213TC	33.75 (857.2)	6.50 (165.1)
215TC	34.75 (882.6)	6.50 (165.1)
254TC	39.13 (993.9)	7.00 (177.8)
256TC	40.81 (1036.6)	7.00 (177.8)



L-Shaped Style Power Units

45 GALLON CAPACITY

Schematic and Specifications - With HPV10 Piston Pump



GENERAL SPECIFICATIONS	LR45
Reservoir Capacity	45 Gal. (170.3 liters)
Surface Area For Heat Transfer	21.86 sq. ft. (2.03 m ²)
Heat Dissipation	Sq. Ft. of Vertical Steel x ΔT / 1000
Basic Weight (Less Oil, Pump, and Motor)	427 lbs. (193.7 kg)
Usable Gallons	7.29 Gal. (27.6 liters)
Gallons Per Inch Rise	2.16 Gal. (8.2 liters)
Capacity, Full to Top Plate	53.70 Gal. (203.3 liters)
Capacity, High on Sight Gauge	45.20 Gal. (171.1 liters)
Capacity, Low on Sight Gauge	37.91 Gal. (143.5 liters)
Pump Data*	
Flow Range	Up to 10 gpm (37.8 lpm)
Pressure Range	Up to 3500 psi (241 bar)
Power Range	Up to 20 HP (14.9 kW)

* See Continental Hydraulics Vane Pump or Piston Pump Catalogs for complete codes and specifications.

L-Shaped Power Units

45 GALLON CAPACITY

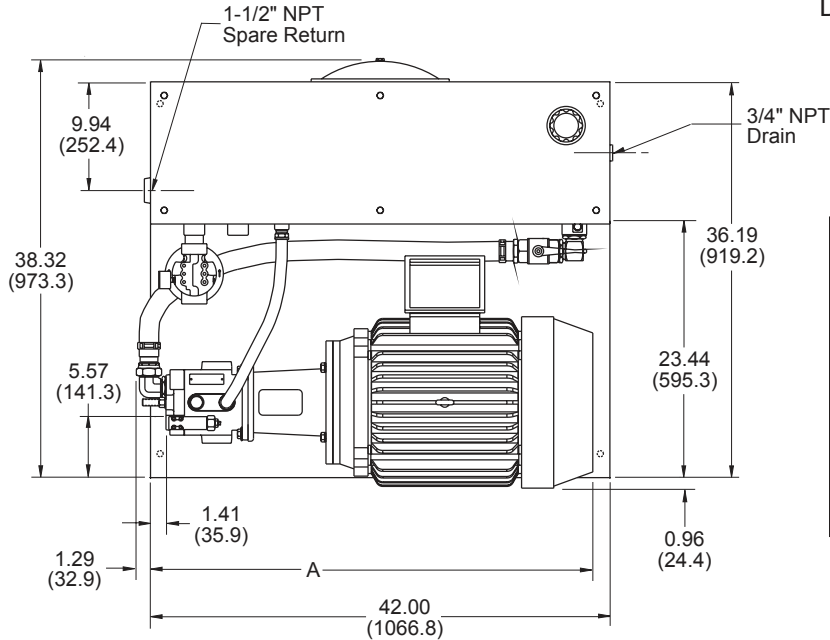
Dimension Drawing - With HPV15 Piston Pump

CONTINENTAL



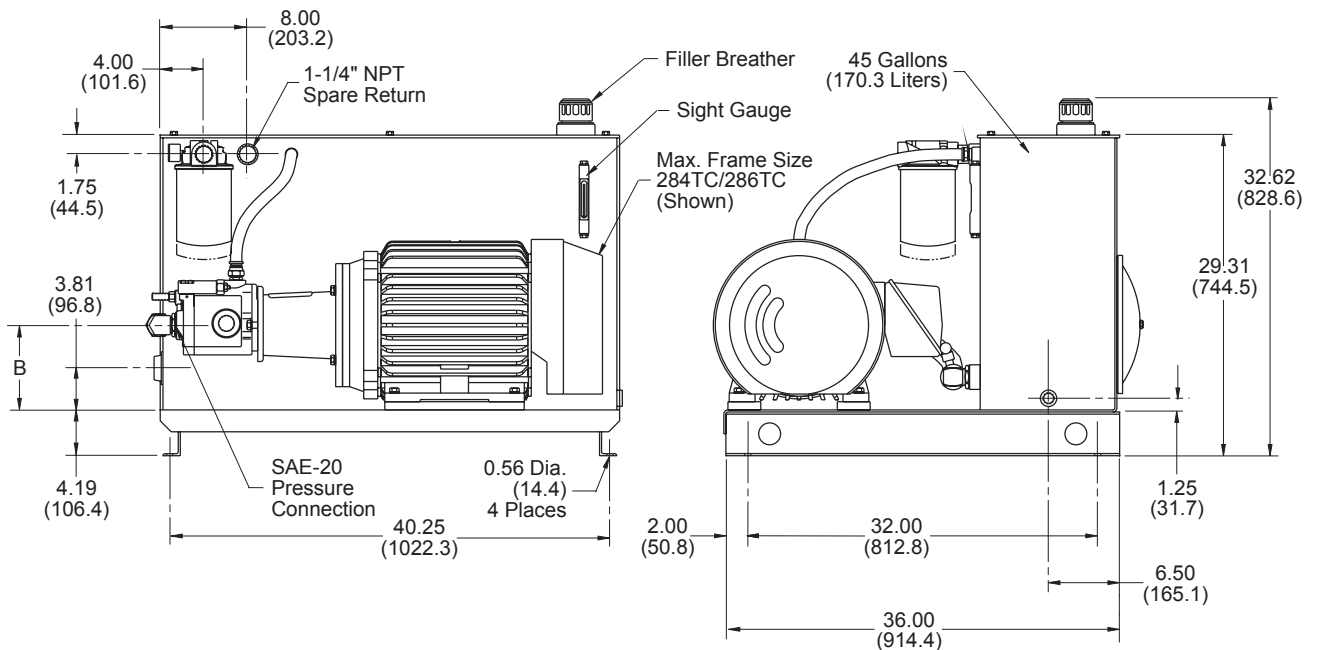
HYDRAULICS

Dimensions shown in: Inches (± .125)
(millimeters (± 1 mm))



Dimensions

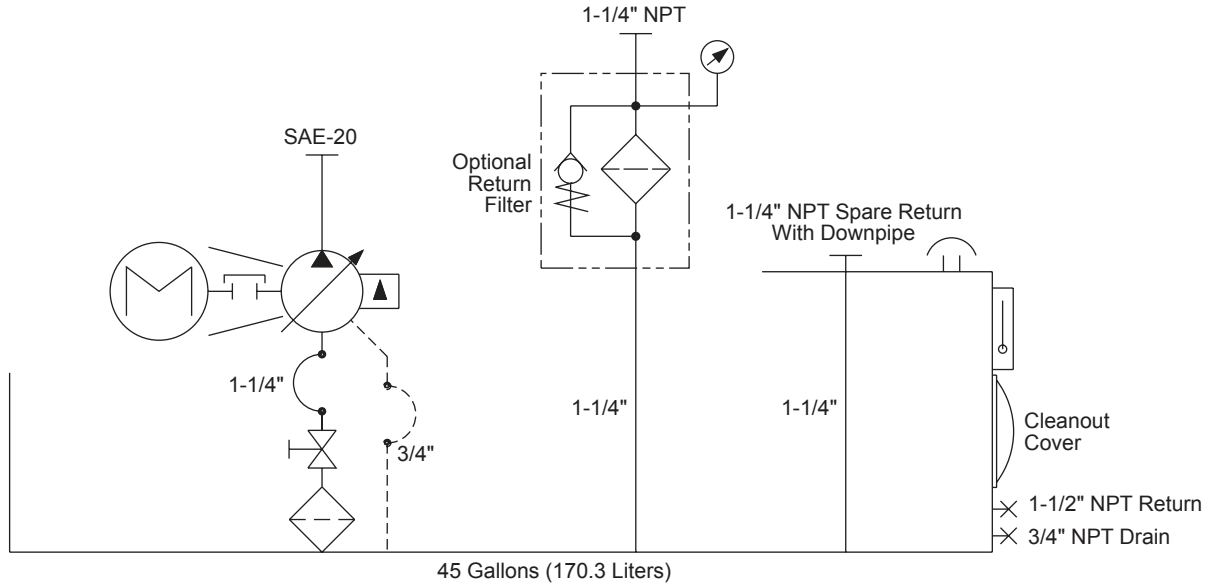
Motor Frame	A	B
182TC	26.38 (676.4)	5.75 (146.0)
184TC	27.38 (695.5)	5.75 (146.0)
213TC	29.88 (759.0)	6.50 (165.1)
215TC	31.38 (797.1)	6.50 (165.1)
254TC	35.75 (908.0)	7.00 (177.8)
256TC	37.44 (951.0)	7.00 (177.8)
284TC	39.25 (996.9)	7.75 (196.8)
286TC	40.75 (1035.0)	7.75 (196.8)



L-Shaped Style Power Units

45 GALLON CAPACITY

Schematic and Specifications - With HPV15 Piston Pump



GENERAL SPECIFICATIONS	LR45
Reservoir Capacity	45 Gal. (170.3 liters)
Surface Area For Heat Transfer	21.86 sq. ft. (2.03 m ²)
Heat Dissipation	Sq. Ft. of Vertical Steel x ΔT / 1000
Basic Weight (Less Oil, Pump, and Motor)	427 lbs. (193.7 kg)
Usable Gallons	7.29 Gal. (27.6 liters)
Gallons Per Inch Rise	2.16 Gal. (8.2 liters)
Capacity, Full to Top Plate	53.70 Gal. (203.3 liters)
Capacity, High on Sight Gauge	45.20 Gal. (171.1 liters)
Capacity, Low on Sight Gauge	37.91 Gal. (143.5 liters)
Pump Data*	
Flow Range	Up to 15 gpm (56.8 lpm)
Pressure Range	Up to 3500 psi (241 bar)
Power Range	Up to 30 HP (22.4 kW)

* See Continental Hydraulics Vane Pump or Piston Pump Catalogs for complete codes and specifications.

L-Shaped Power Units

60 GALLON CAPACITY

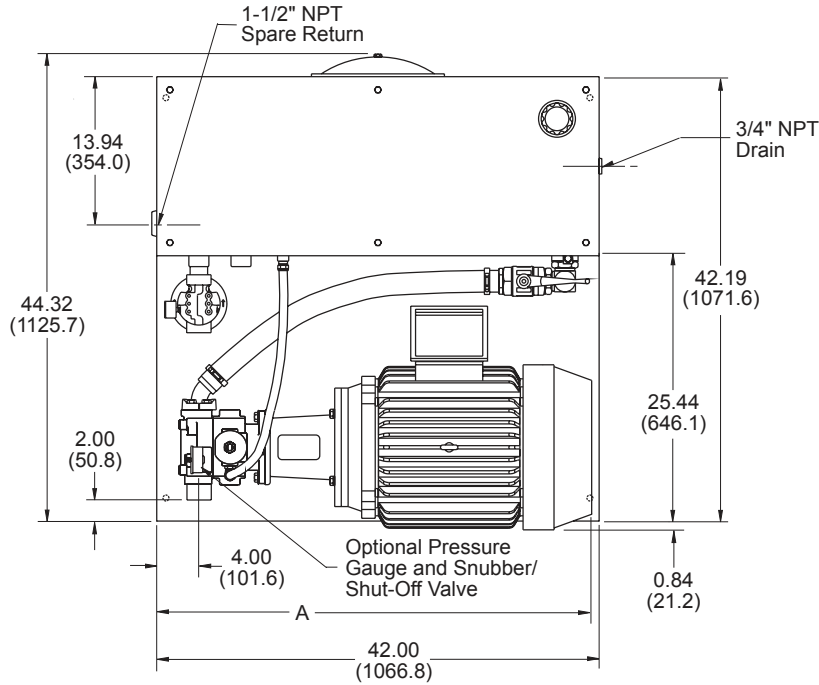
Dimension Drawing - With PVR15 Vane Pump

CONTINENTAL



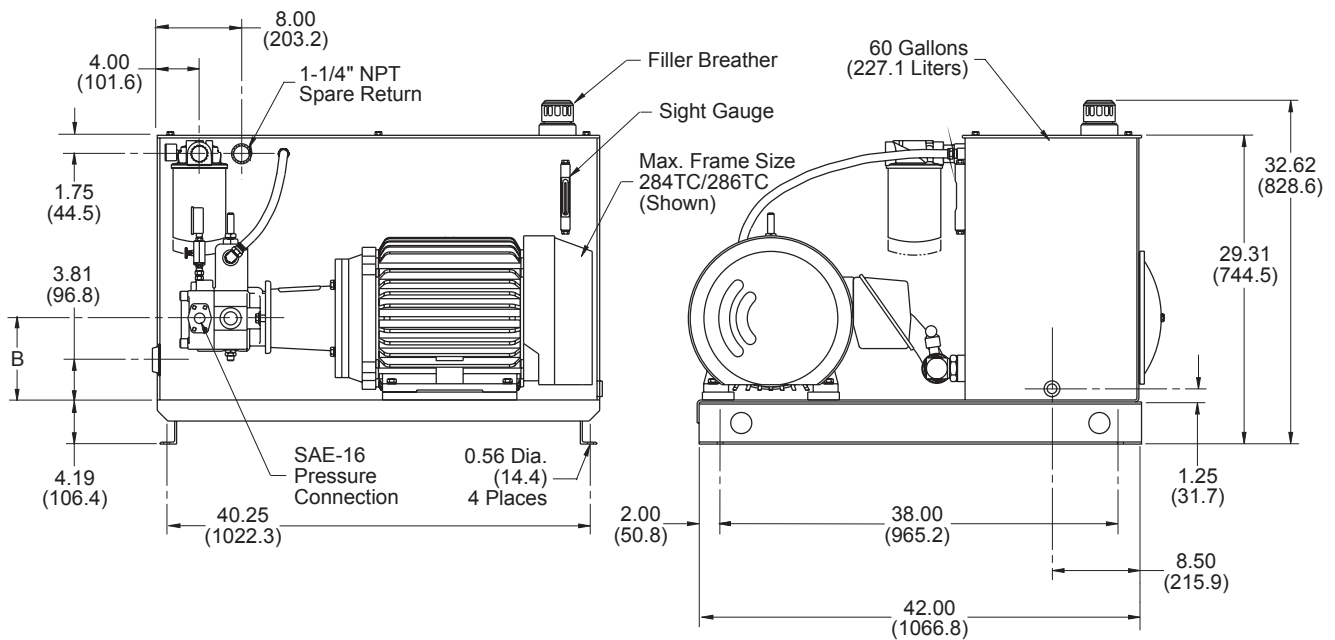
HYDRAULICS

Dimensions shown in: Inches (± .125)
(millimeters (± 1 mm))



Dimensions

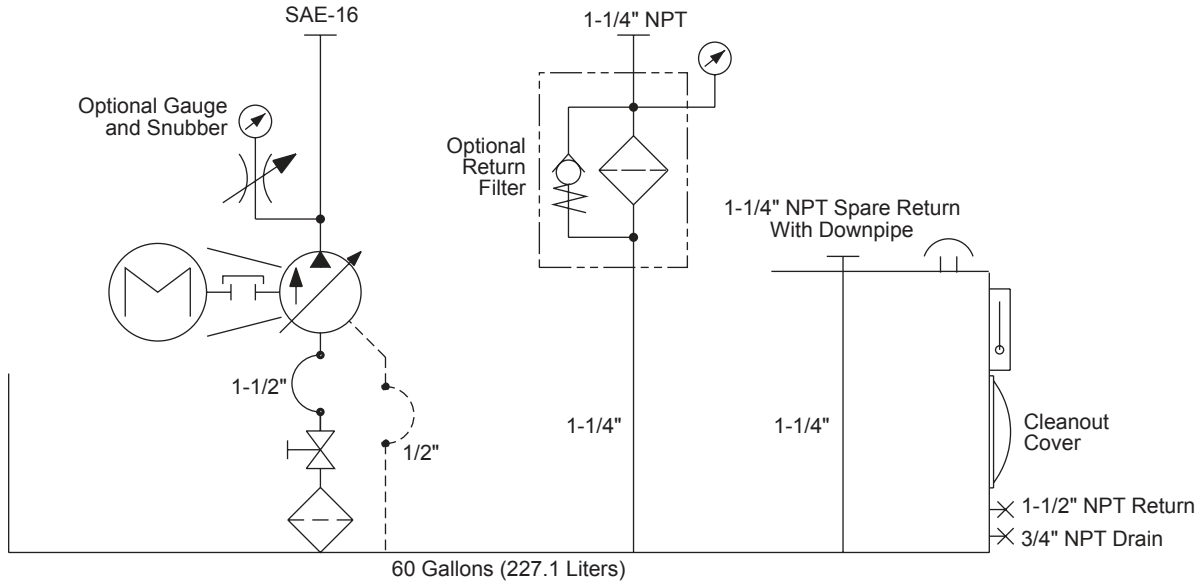
Motor Frame	A	B
182TC	27.19 (690.6)	5.75 (146.0)
184TC	28.19 (716.0)	5.75 (146.0)
213TC	30.63 (778.0)	6.50 (165.1)
215TC	32.19 (817.6)	6.50 (165.1)
254TC	36.56 (928.6)	7.00 (177.8)
256TC	38.25 (971.5)	7.00 (177.8)
284TC	40.06 (1017.5)	7.75 (196.8)
286TC	41.56 (1055.6)	7.75 (196.8)



L-Shaped Style Power Units

60 GALLON CAPACITY

Schematic and Specifications - With PVR15 Vane Pump



GENERAL SPECIFICATIONS	LR60
Reservoir Capacity	60 Gal. (227.1 liters)
Surface Area For Heat Transfer	24.38 sq. ft. (2.26 m ²)
Heat Dissipation	Sq. Ft. of Vertical Steel x ΔT / 1000
Basic Weight (Less Oil, Pump, and Motor)	465 lbs. (210.9 kg)
Usable Gallons	9.69 Gal. (36.7 liters)
Gallons Per Inch Rise	2.87 Gal. (10.9 liters)
Capacity, Full to Top Plate	71.41 Gal. (270.3 liters)
Capacity, High on Sight Gauge	60.11 Gal. (227.5 liters)
Capacity, Low on Sight Gauge	50.42 Gal. (190.8 liters)
Pump Data*	
Flow Range	Up to 30 gpm (113.5 lpm)
Pressure Range	Up to 2000 psi (138 bar)
Power Range	Up to 30 HP (22.4 kW)

* See Continental Hydraulics Vane Pump or Piston Pump Catalogs for complete codes and specifications.

L-Shaped Power Units

60 GALLON CAPACITY

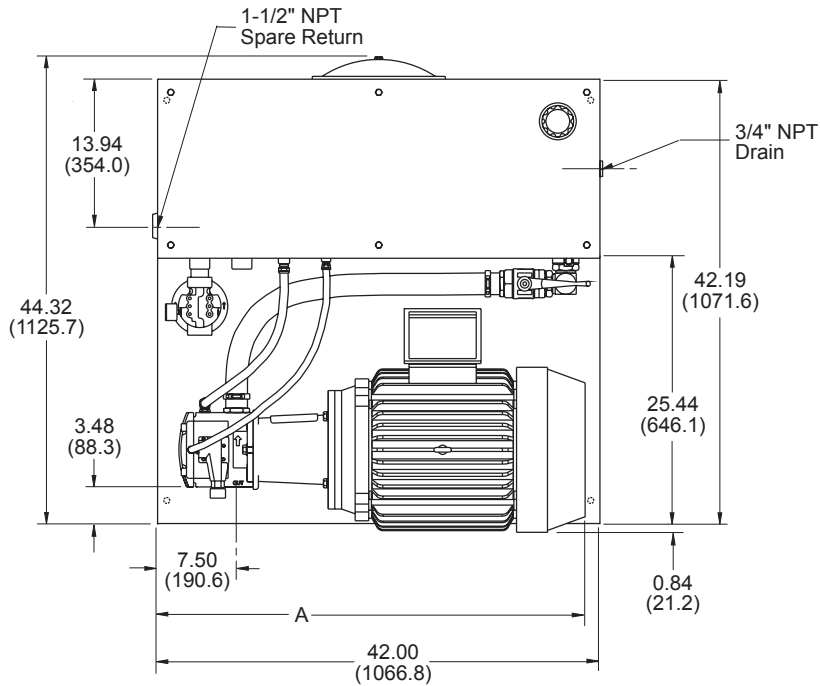
Dimension Drawing - With PVX11/15 Vane Pump

CONTINENTAL



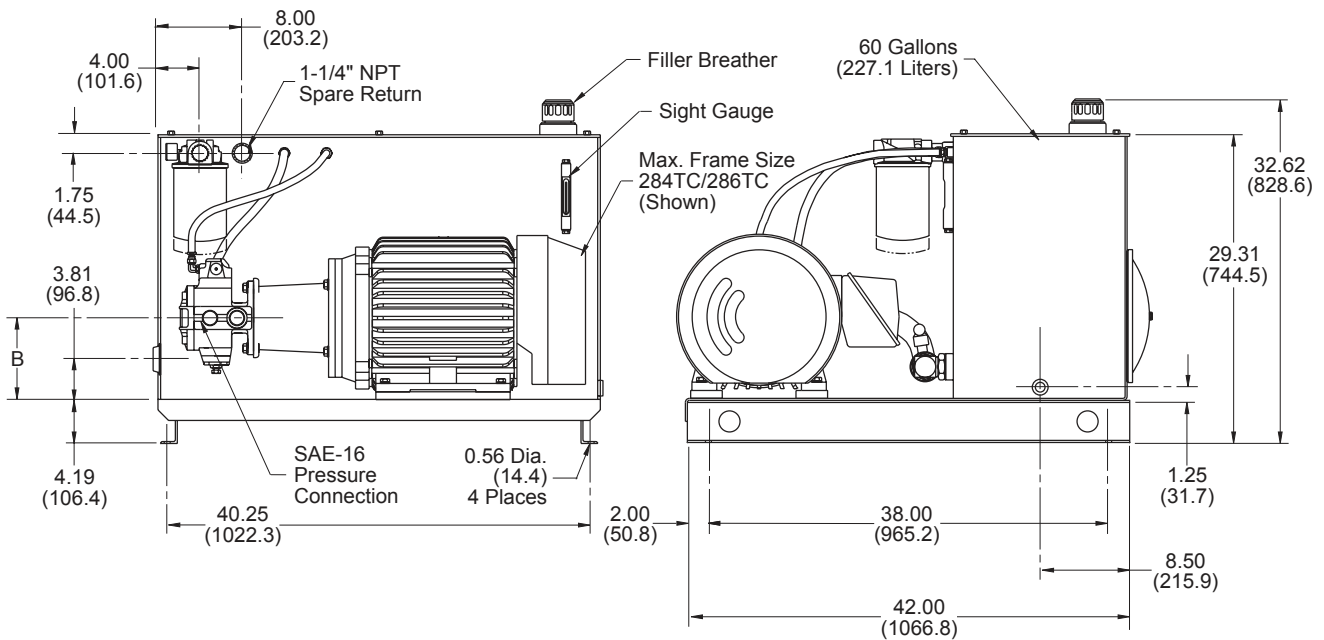
HYDRAULICS

Dimensions shown in: Inches (± .125)
(millimeters (± 1 mm))



Dimensions

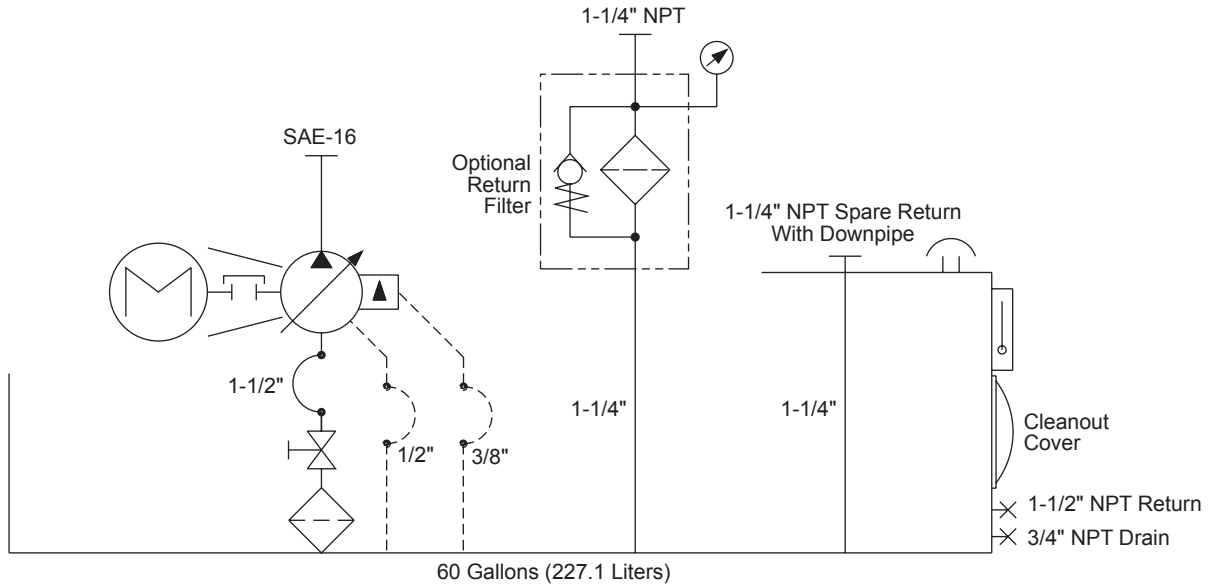
Motor Frame	A	B
182TC	26.00 (660.4)	5.75 (146.0)
184TC	27.00 (685.8)	5.75 (146.0)
213TC	29.50 (749.3)	6.50 (165.1)
215TC	31.00 (787.4)	6.50 (165.1)
254TC	35.38 (898.7)	7.00 (177.8)
256TC	37.06 (941.3)	7.00 (177.8)
284TC	38.88 (987.6)	7.75 (196.8)
286TC	40.38 (1025.7)	7.75 (196.8)



L-Shaped Style Power Units

60 GALLON CAPACITY

Schematic and Specifications - With PVX11/15 Vane Pump



GENERAL SPECIFICATIONS	LR60
Reservoir Capacity	60 Gal. (227.1 liters)
Surface Area For Heat Transfer	24.38 sq. ft. (2.26 m ²)
Heat Dissipation	Sq. Ft. of Vertical Steel x $\Delta T / 1000$
Basic Weight (Less Oil, Pump, and Motor)	472 lbs. (214.1 kg)
Usable Gallons	9.69 Gal. (36.7 liters)
Gallons Per Inch Rise	2.87 Gal. (10.9 liters)
Capacity, Full to Top Plate	71.41 Gal. (270.3 liters)
Capacity, High on Sight Gauge	60.11 Gal. (227.5 liters)
Capacity, Low on Sight Gauge	50.42 Gal. (190.8 liters)
Pump Data*	
Flow Range	Up to 15 gpm (56.8 lpm)
Pressure Range	Up to 3000 psi (207 bar)
Power Range	Up to 30 HP (22.4 kW)

* See Continental Hydraulics Vane Pump or Piston Pump Catalogs for complete codes and specifications.

L-Shaped Power Units

60 GALLON CAPACITY

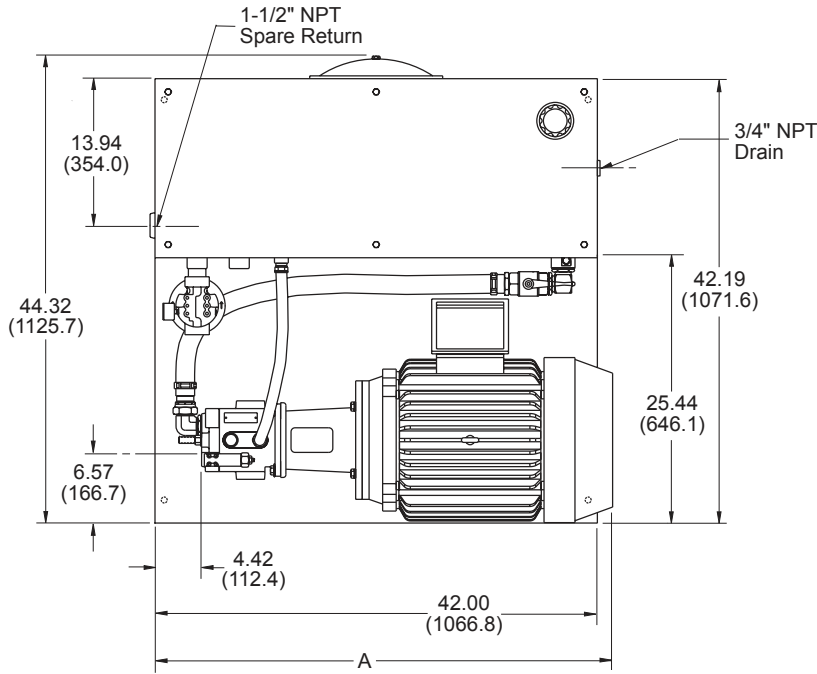
Dimension Drawing - With HPV15 Piston Pump

CONTINENTAL



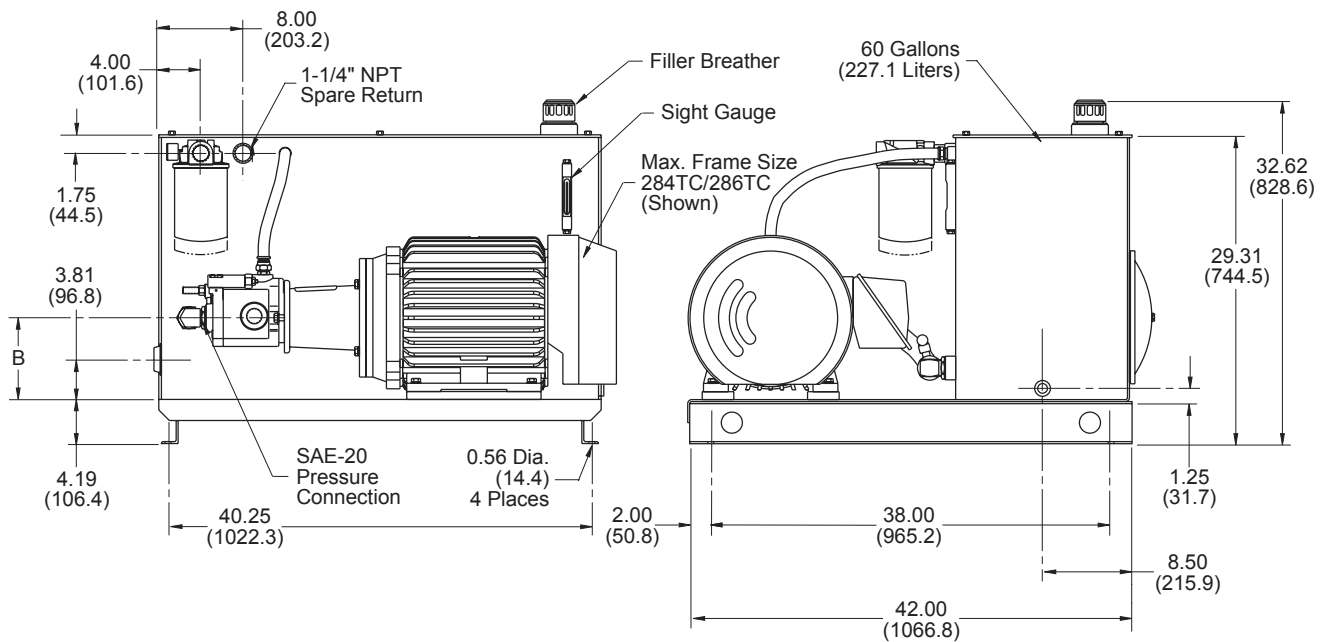
HYDRAULICS

Dimensions shown in: Inches (± .125)
(millimeters (± 1 mm))



Dimensions

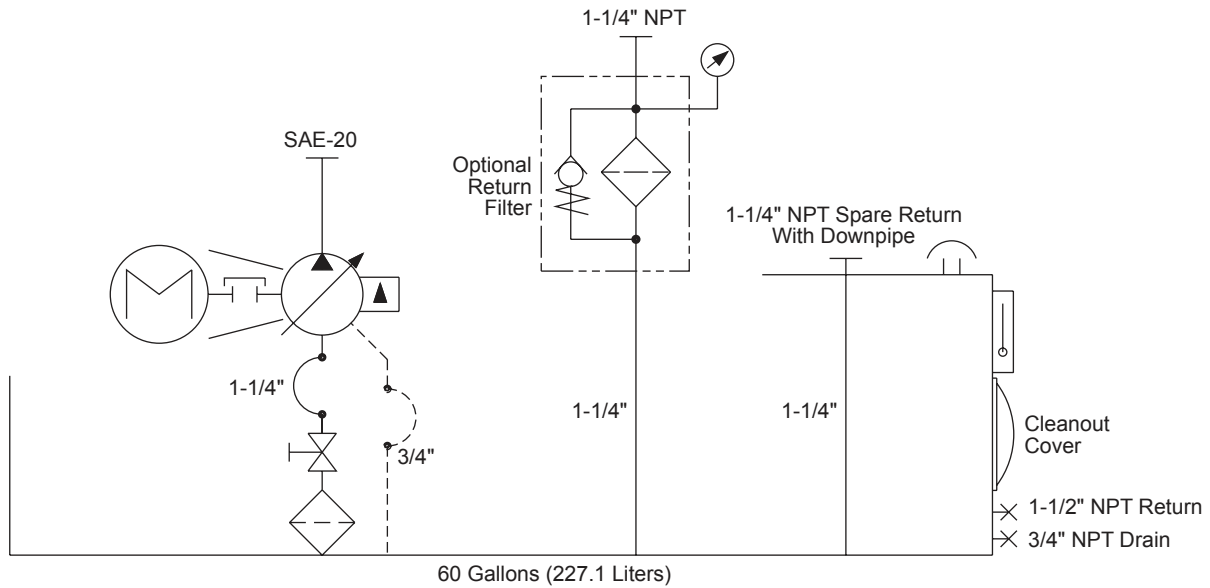
Motor Frame	A	B
182TC	29.00 (736.6)	5.75 (146.0)
184TC	30.38 (771.7)	5.75 (146.0)
213TC	32.88 (835.2)	6.50 (165.1)
215TC	34.38 (873.3)	6.50 (165.1)
254TC	38.75 (984.2)	7.00 (177.8)
256TC	40.44 (941.3)	7.00 (177.8)
284TC	42.25 (1073.1)	7.75 (196.8)
286TC	43.75 (1111.2)	7.75 (196.8)



L-Shaped Style Power Units

60 GALLON CAPACITY

Schematic and Specifications - With HPV15 Piston Pump



GENERAL SPECIFICATIONS	LR60
Reservoir Capacity	60 Gal. (227.1 liters)
Surface Area For Heat Transfer	24.38 sq. ft. (2.26 m ²)
Heat Dissipation	Sq. Ft. of Vertical Steel x ΔT / 1000
Basic Weight (Less Oil, Pump, and Motor)	465 lbs. (210.9 kg)
Usable Gallons	9.69 Gal. (36.7 liters)
Gallons Per Inch Rise	2.87 Gal. (10.9 liters)
Capacity, Full to Top Plate	71.41 Gal. (270.3 liters)
Capacity, High on Sight Gauge	60.11 Gal. (227.5 liters)
Capacity, Low on Sight Gauge	50.42 Gal. (190.8 liters)
Pump Data*	
Flow Range	Up to 15 gpm (56.8 lpm)
Pressure Range	Up to 3500 psi (241 bar)
Power Range	Up to 30 HP (22.4 kW)

* See Continental Hydraulics Vane Pump or Piston Pump Catalogs for complete codes and specifications.

L-Shaped Power Units

60 GALLON CAPACITY

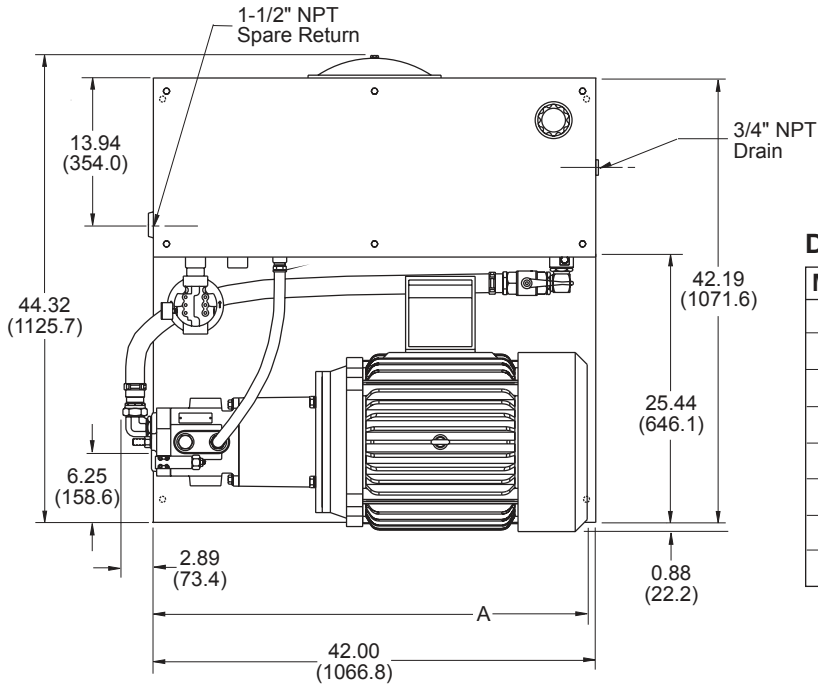
Dimension Drawing - With HPV20 Piston Pump

CONTINENTAL



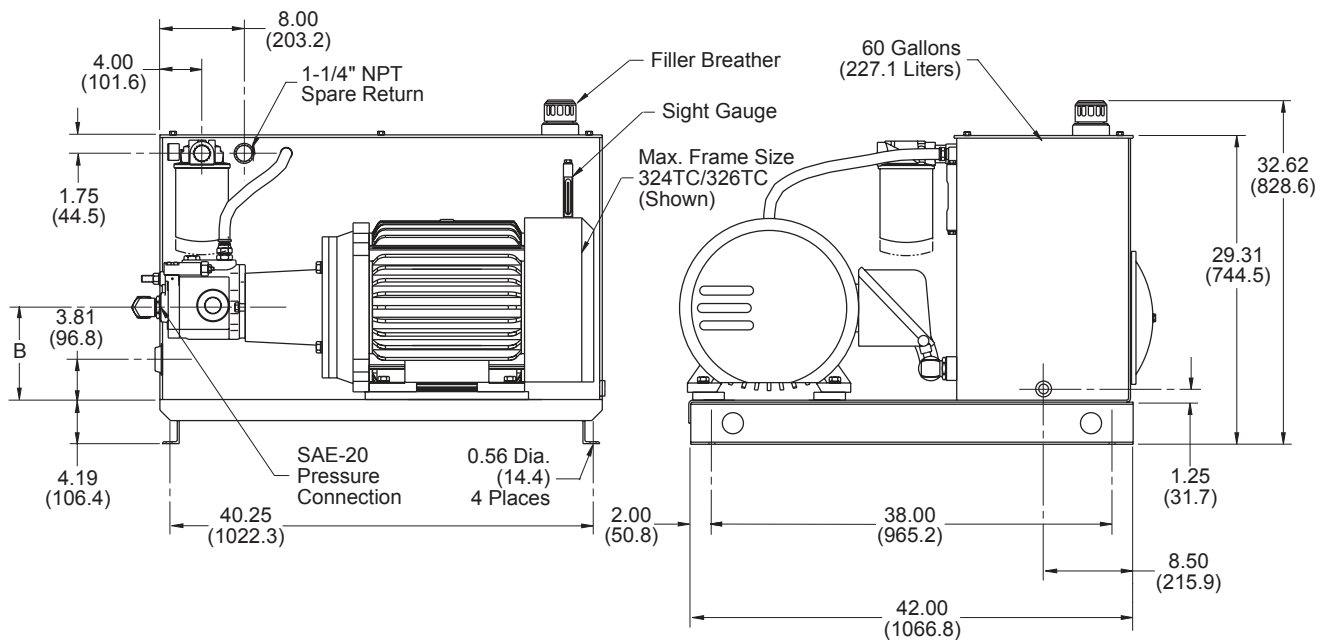
HYDRAULICS

Dimensions shown in: Inches (± .125)
(millimeters (± 1 mm))



Dimensions

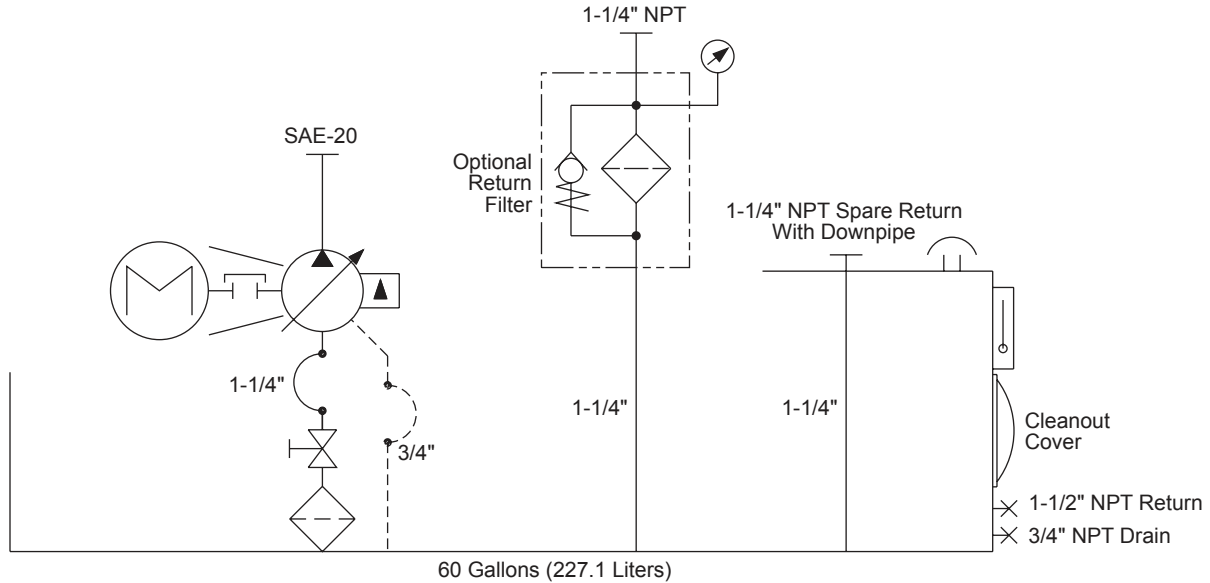
Motor Frame	A	B
213TC	30.25 (768.3)	6.50 (165.1)
215TC	31.75 (806.4)	6.50 (165.1)
254TC	36.00 (914.4)	7.00 (177.8)
256TC	37.75 (958.8)	7.00 (177.8)
284TC	39.56 (1004.8)	7.75 (196.8)
286TC	41.06 (1042.9)	7.75 (196.8)
324TC	42.63 (1082.8)	8.75 (222.2)
326TC	42.63 (1082.8)	8.75 (222.2)



L-Shaped Style Power Units

60 GALLON CAPACITY

Schematic and Specifications - With HPV20 Piston Pump



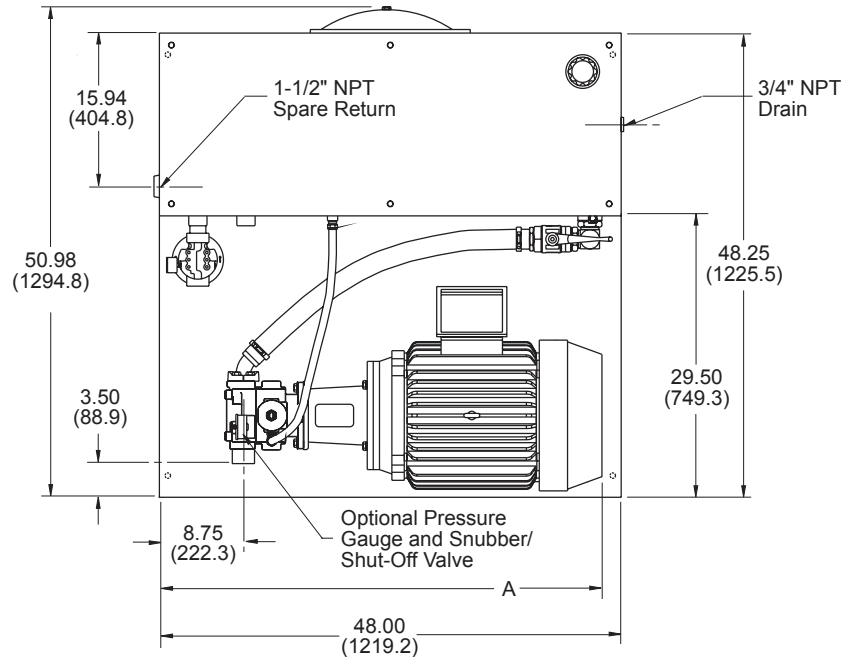
GENERAL SPECIFICATIONS	LR60
Reservoir Capacity	60 Gal. (227.1 liters)
Surface Area For Heat Transfer	24.38 sq. ft. (2.26 m ²)
Heat Dissipation	Sq. Ft. of Vertical Steel x ΔT / 1000
Basic Weight (Less Oil, Pump, and Motor)	472 lbs. (214.1 kg)
Usable Gallons	9.69 Gal. (36.7 liters)
Gallons Per Inch Rise	2.87 Gal. (10.9 liters)
Capacity, Full to Top Plate	71.41 Gal. (270.3 liters)
Capacity, High on Sight Gauge	60.11 Gal. (227.5 liters)
Capacity, Low on Sight Gauge	50.42 Gal. (190.8 liters)
Pump Data*	
Flow Range	Up to 20 gpm (75.7 lpm)
Pressure Range	Up to 3500 psi (241 bar)
Power Range	Up to 50 HP (37.3 kW)

* See Continental Hydraulics Vane Pump or Piston Pump Catalogs for complete codes and specifications.

L-Shaped Power Units

80 GALLON CAPACITY

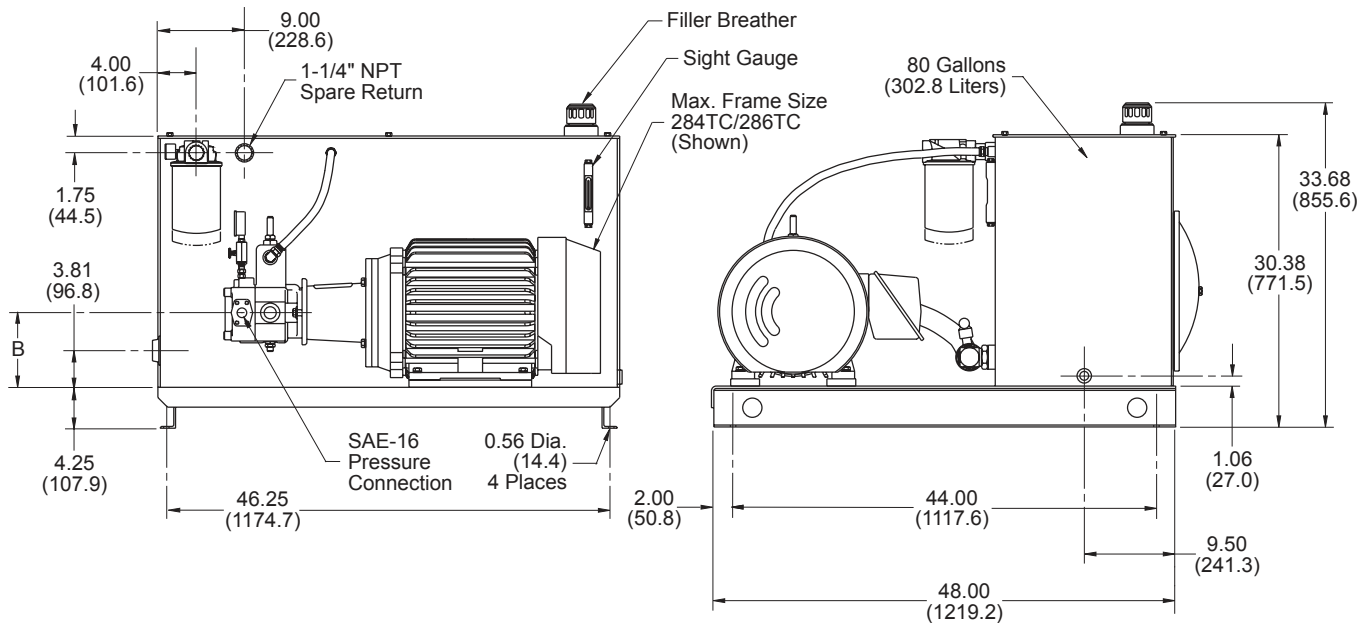
Dimension Drawing - With PVR15 Vane Pump



Dimensions shown in: Inches (± .125)
 (millimeters (± 1 mm))

Dimensions

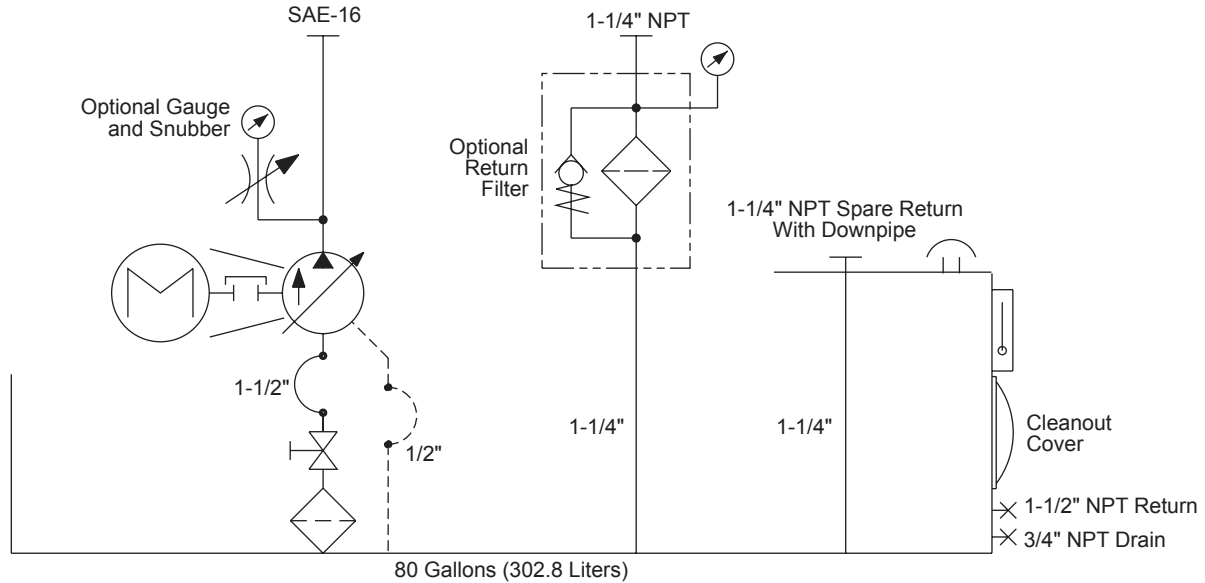
Motor Frame	A	B
182TC	31.94 (811.3)	5.75 (146.0)
184TC	32.94 (836.7)	5.75 (146.0)
213TC	35.38 (898.7)	6.50 (165.1)
215TC	35.94 (912.9)	6.50 (165.1)
254TC	41.31 (1049.3)	7.00 (177.8)
256TC	43.00 (1092.2)	7.00 (177.8)
284TC	44.81 (1138.2)	7.75 (196.8)
286TC	46.31 (1162.4)	7.75 (196.8)



L-Shaped Style Power Units

80 GALLON CAPACITY

Schematic and Specifications - With PVR15 Vane Pump



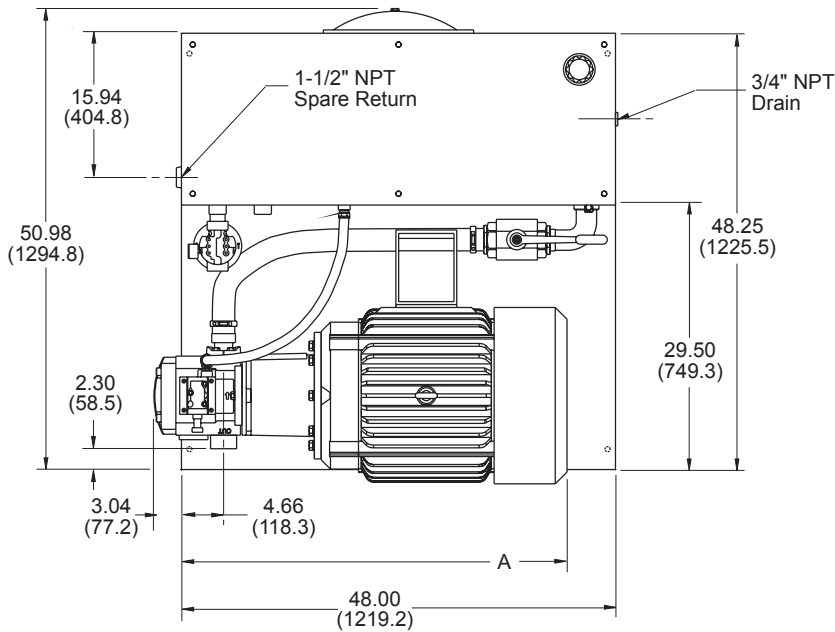
GENERAL SPECIFICATIONS	LR80
Reservoir Capacity	80 Gal. (302.8 liters)
Surface Area For Heat Transfer	29.38 sq. ft. (2.73 m ²)
Heat Dissipation	Sq. Ft. of Vertical Steel x ΔT / 1000
Basic Weight (Less Oil, Pump, and Motor)	557 lbs. (252.7 kg)
Usable Gallons	12.49 Gal. (47.3 liters)
Gallons Per Inch Rise	3.70 Gal. (14.0 liters)
Capacity, Full to Top Plate	95.67 Gal. (362.1 liters)
Capacity, High on Sight Gauge	80.65 Gal. (305.3 liters)
Capacity, Low on Sight Gauge	68.16 Gal. (258.0 liters)
Pump Data*	
Flow Range	Up to 30 gpm (113.5 lpm)
Pressure Range	Up to 2000 psi (138 bar)
Power Range	Up to 30 HP (22.4 kW)

* See Continental Hydraulics Vane Pump or Piston Pump Catalogs for complete codes and specifications.

L-Shaped Power Units

80 GALLON CAPACITY

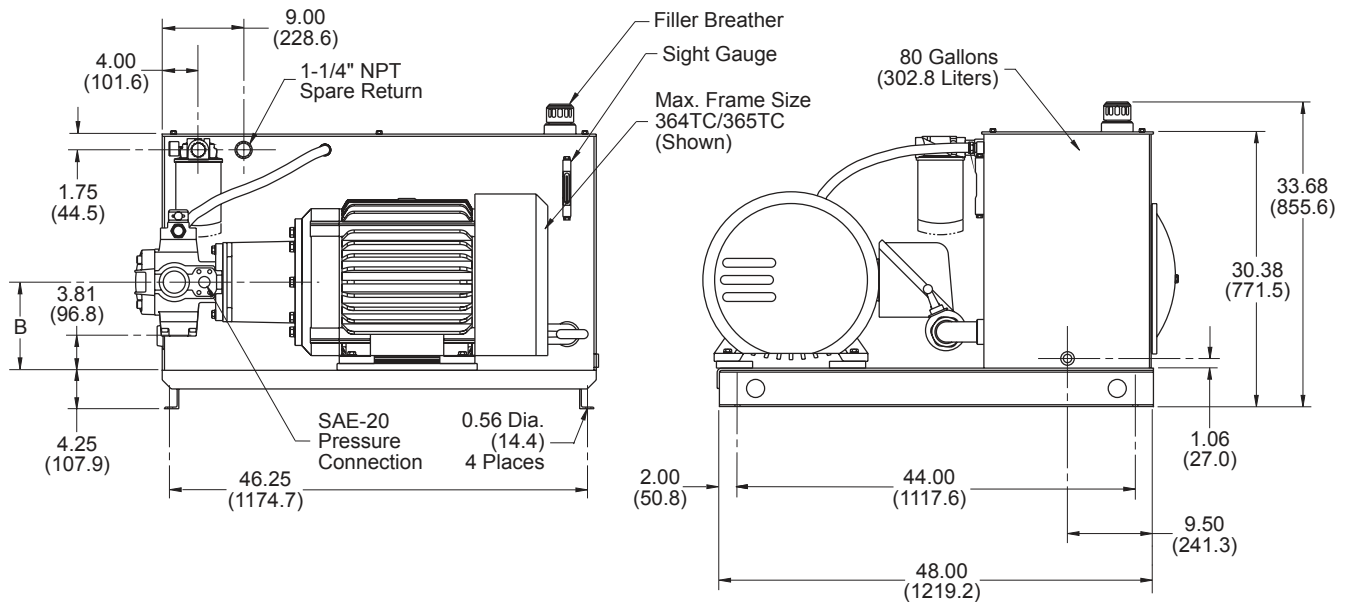
Dimension Drawing - With PVX20/29/36 Vane Pump



Dimensions shown in: Inches ($\pm .125$)
 (millimeters (± 1 mm))

Dimensions

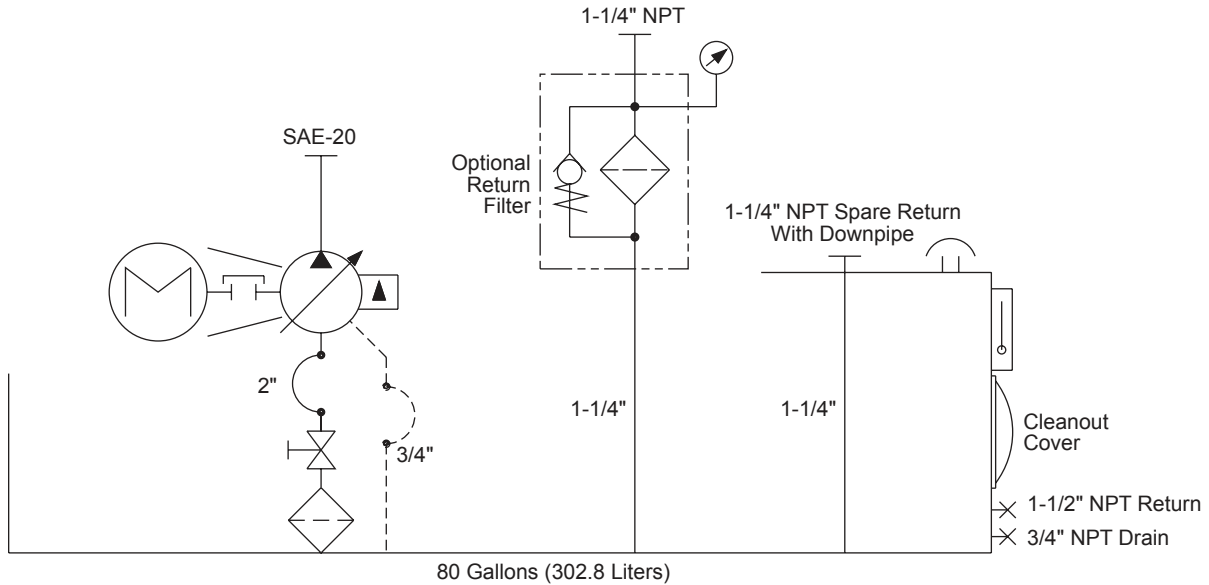
Motor Frame	A	B
213TC	30.19 (766.8)	6.50 (165.1)
215TC	31.69 (804.9)	6.50 (165.1)
254TC	36.03 (915.2)	7.00 (177.8)
256TC	37.13 (943.1)	7.00 (177.8)
284TC	39.56 (1004.8)	7.75 (196.8)
286TC	41.03 (1042.2)	7.75 (196.8)
324TC	42.56 (1081.0)	8.75 (222.2)
326TC	42.56 (1081.0)	8.75 (222.2)
364TC	46.06 (1169.9)	9.75 (247.6)
365TC	46.06 (1169.9)	9.75 (247.6)



L-Shaped Style Power Units

80 GALLON CAPACITY

Schematic and Specifications - With PVX20/29/36 Vane Pump



GENERAL SPECIFICATIONS	LR80
Reservoir Capacity	80 Gal. (302.8 liters)
Surface Area For Heat Transfer	29.38 sq. ft. (2.73 m ²)
Heat Dissipation	Sq. Ft. of Vertical Steel x ΔT / 1000
Basic Weight (Less Oil, Pump, and Motor)	557 lbs. (252.7 kg)
Usable Gallons	12.49 Gal. (47.3 liters)
Gallons Per Inch Rise	3.70 Gal. (14.0 liters)
Capacity, Full to Top Plate	95.67 Gal. (362.1 liters)
Capacity, High on Sight Gauge	80.65 Gal. (305.3 liters)
Capacity, Low on Sight Gauge	68.16 Gal. (258.0 liters)
Pump Data*	
Flow Range	Up to 36 gpm (136.3 lpm)
Pressure Range	Up to 3000 psi (207 bar)
Power Range	Up to 75 HP (55.9 kW)

* See Continental Hydraulics Vane Pump or Piston Pump Catalogs for complete codes and specifications.

L-Shaped Power Units

80 GALLON CAPACITY

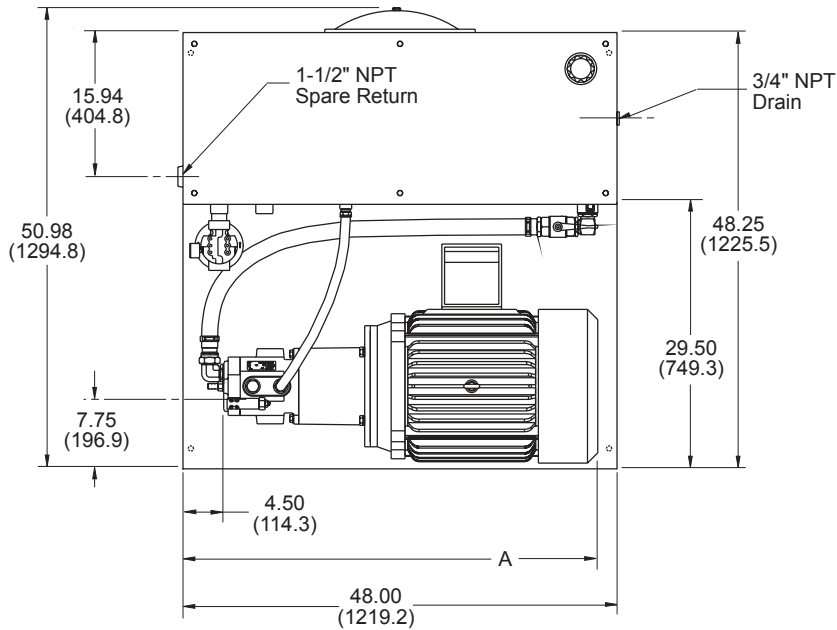
Dimension Drawing - With HPV20 Piston Pump

CONTINENTAL



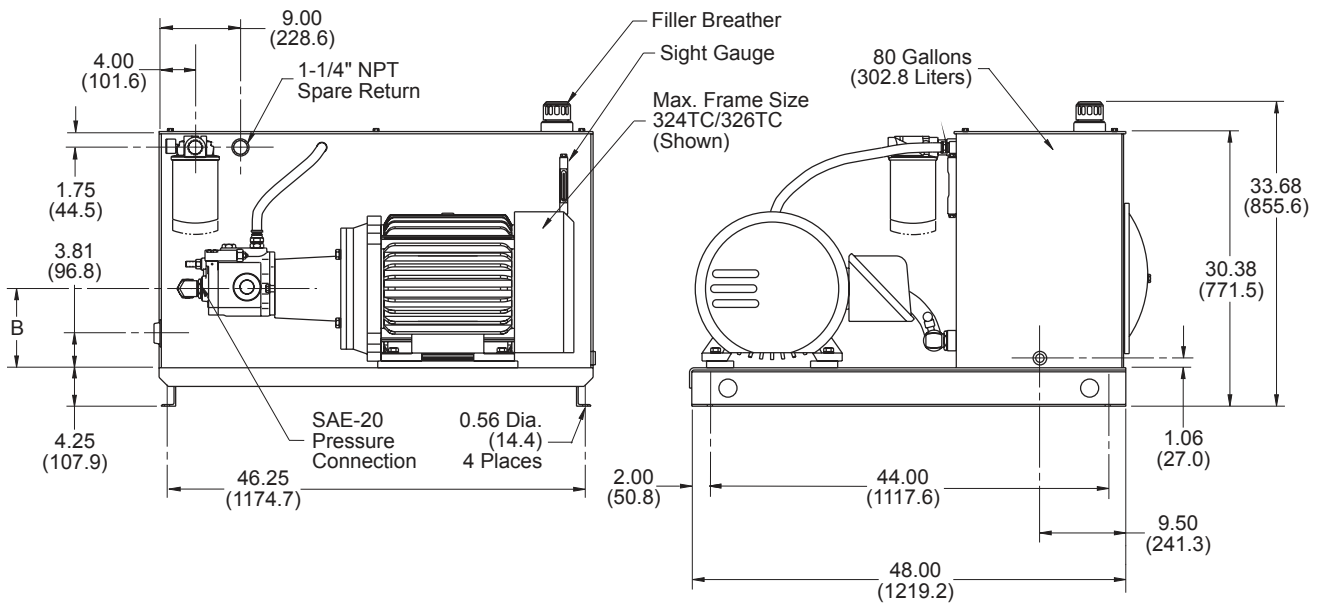
HYDRAULICS

Dimensions shown in: Inches (± .125)
(millimeters (± 1 mm))



Dimensions

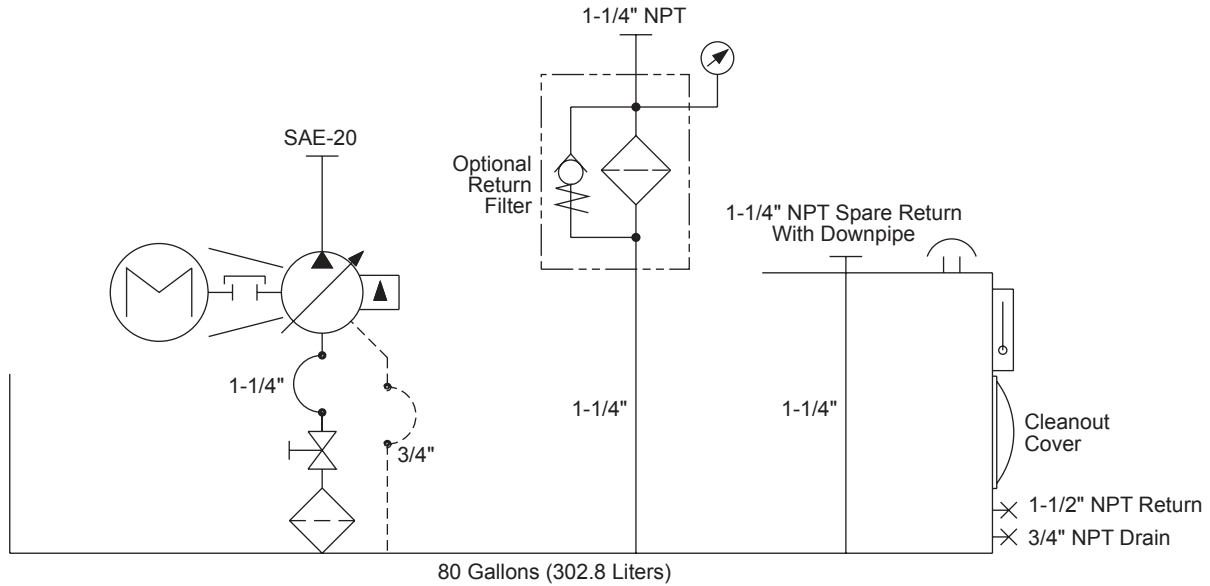
Motor Frame	A	B
213TC	34.75 (882.6)	6.50 (165.1)
215TC	36.75 (933.4)	6.50 (165.1)
254TC	40.56 (1030.2)	7.00 (177.8)
256TC	42.25 (1073.1)	7.00 (177.8)
284TC	44.06 (1119.1)	7.75 (196.8)
286TC	45.56 (1157.2)	7.75 (196.8)
324TC	47.13 (1197.1)	8.75 (222.2)
326TC	47.13 (1197.1)	8.75 (222.2)



L-Shaped Style Power Units

80 GALLON CAPACITY

Schematic and Specifications - With HPV20 Piston Pump



GENERAL SPECIFICATIONS	LR80
Reservoir Capacity	80 Gal. (302.8 liters)
Surface Area For Heat Transfer	29.38 sq. ft. (2.73 m ²)
Heat Dissipation	Sq. Ft. of Vertical Steel x ΔT / 1000
Basic Weight (Less Oil, Pump, and Motor)	558 lbs. (253.1 kg)
Usable Gallons	12.49 Gal. (47.3 liters)
Gallons Per Inch Rise	3.70 Gal. (14.0 liters)
Capacity, Full to Top Plate	95.67 Gal. (362.1 liters)
Capacity, High on Sight Gauge	80.65 Gal. (305.3 liters)
Capacity, Low on Sight Gauge	68.16 Gal. (258.0 liters)
Pump Data*	
Flow Range	Up to 20 gpm (75.7 lpm)
Pressure Range	Up to 3500 psi (241 bar)
Power Range	Up to 50 HP (37.3 kW)

* See Continental Hydraulics Vane Pump or Piston Pump Catalogs for complete codes and specifications.

L-Shaped Power Units

100 GALLON CAPACITY

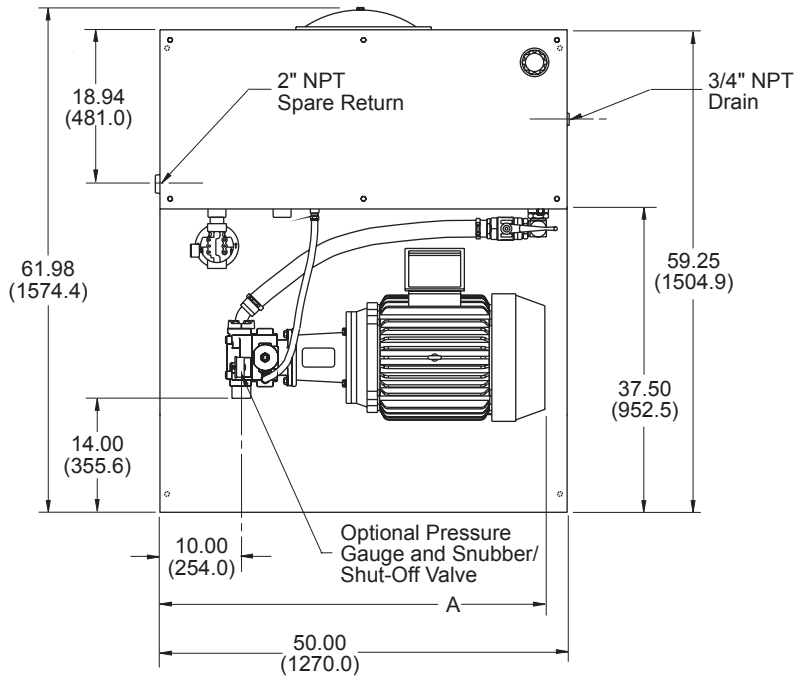
Dimension Drawing - With PVR15 Vane Pump

CONTINENTAL



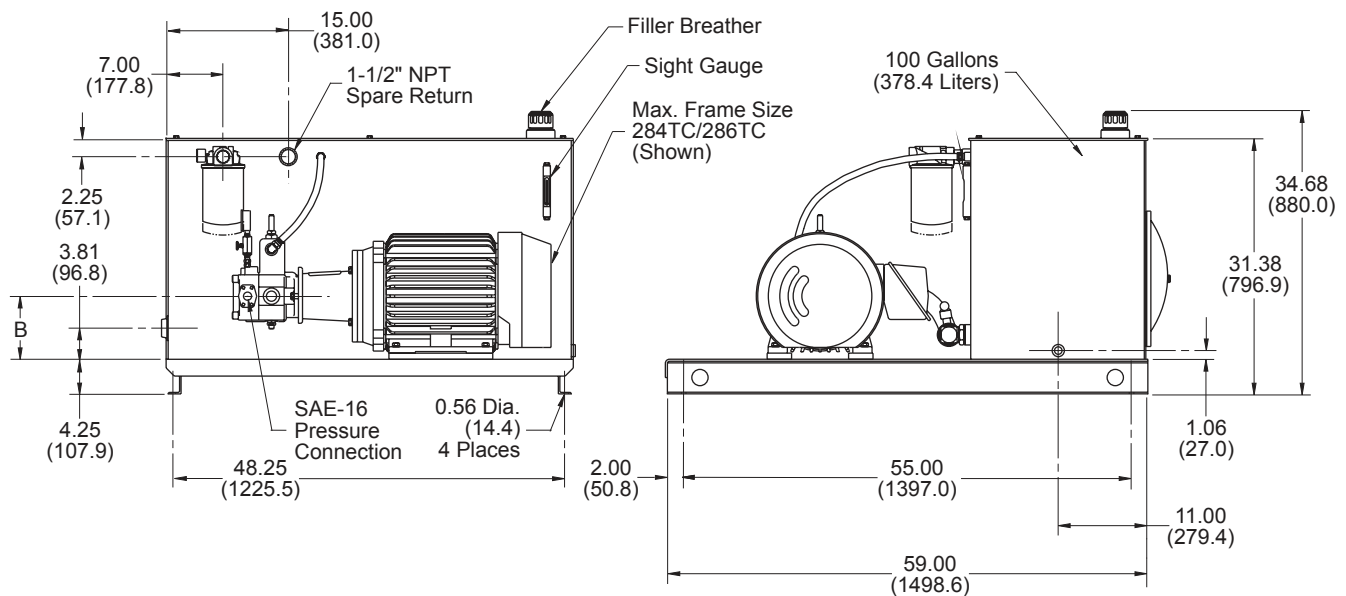
HYDRAULICS

Dimensions shown in: Inches (± .125)
millimeters (± 1 mm)



Dimensions

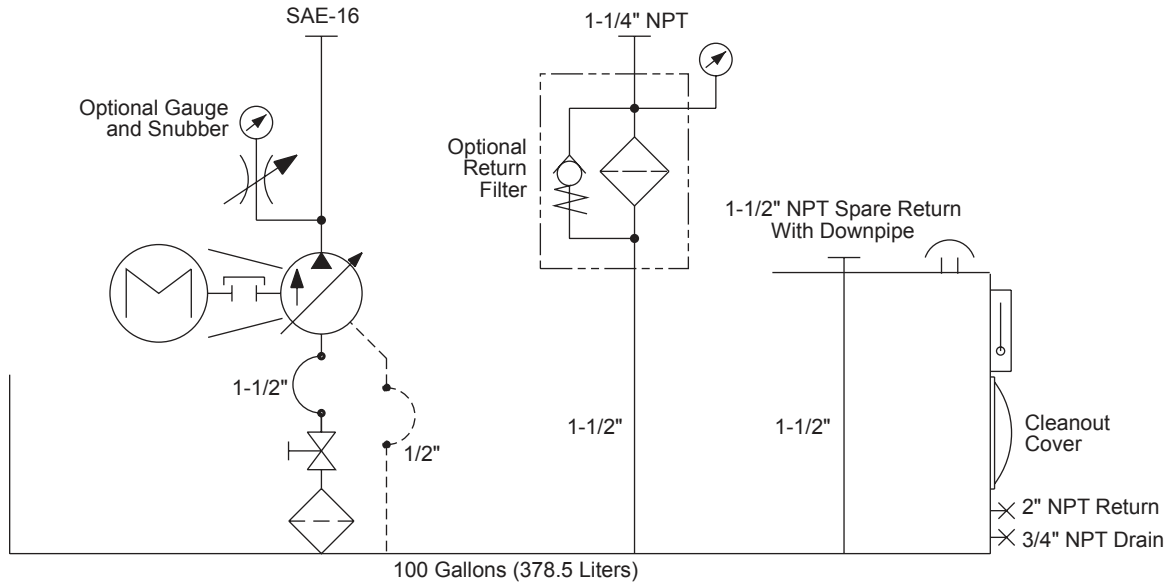
Motor Frame	A	B
182TC	33.19 (843.0)	5.75 (146.0)
184TC	34.19 (868.4)	5.75 (146.0)
213TC	36.63 (930.4)	6.50 (165.1)
215TC	37.19 (944.6)	6.50 (165.1)
254TC	42.56 (1081.0)	7.00 (177.8)
256TC	44.25 (1123.9)	7.00 (177.8)
284TC	46.06 (1169.9)	7.75 (196.8)
286TC	47.56 (1208.0)	7.75 (196.8)



L-Shaped Style Power Units

100 GALLON CAPACITY

Schematic and Specifications - With PVR15 Vane Pump



GENERAL SPECIFICATIONS	LR100
Reservoir Capacity	100 Gal. (378.5 liters)
Surface Area For Heat Transfer	33.43 sq. ft. (3.11 m ²)
Heat Dissipation	Sq. Ft. of Vertical Steel x ΔT / 1000
Basic Weight (Less Oil, Pump, and Motor)	630 lbs. (285.8 kg)
Usable Gallons	15.16 Gal. (47.3 liters)
Gallons Per Inch Rise	4.49 Gal. (14.0 liters)
Capacity, Full to Top Plate	120.74 Gal. (362.1 liters)
Capacity, High on Sight Gauge	100.24 Gal. (305.3 liters)
Capacity, Low on Sight Gauge	85.08 Gal. (258.0 liters)
Pump Data*	
Flow Range	Up to 30 gpm (113.5 lpm)
Pressure Range	Up to 2000 psi (138 bar)
Power Range	Up to 30 HP (22.4 kW)

* See Continental Hydraulics Vane Pump or Piston Pump Catalogs for complete codes and specifications.

L-Shaped Power Units

100 GALLON CAPACITY

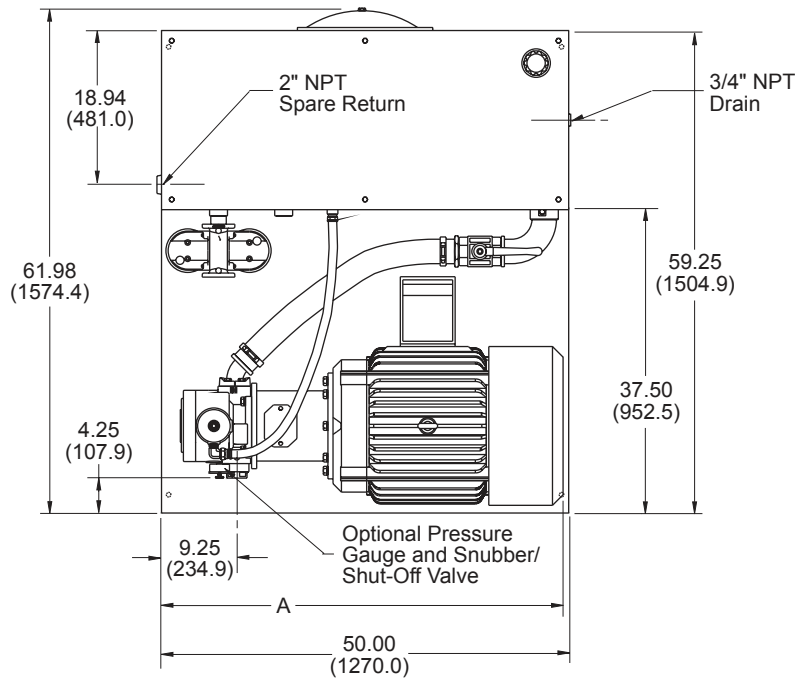
Dimension Drawing - With PVR50 Vane Pump

CONTINENTAL



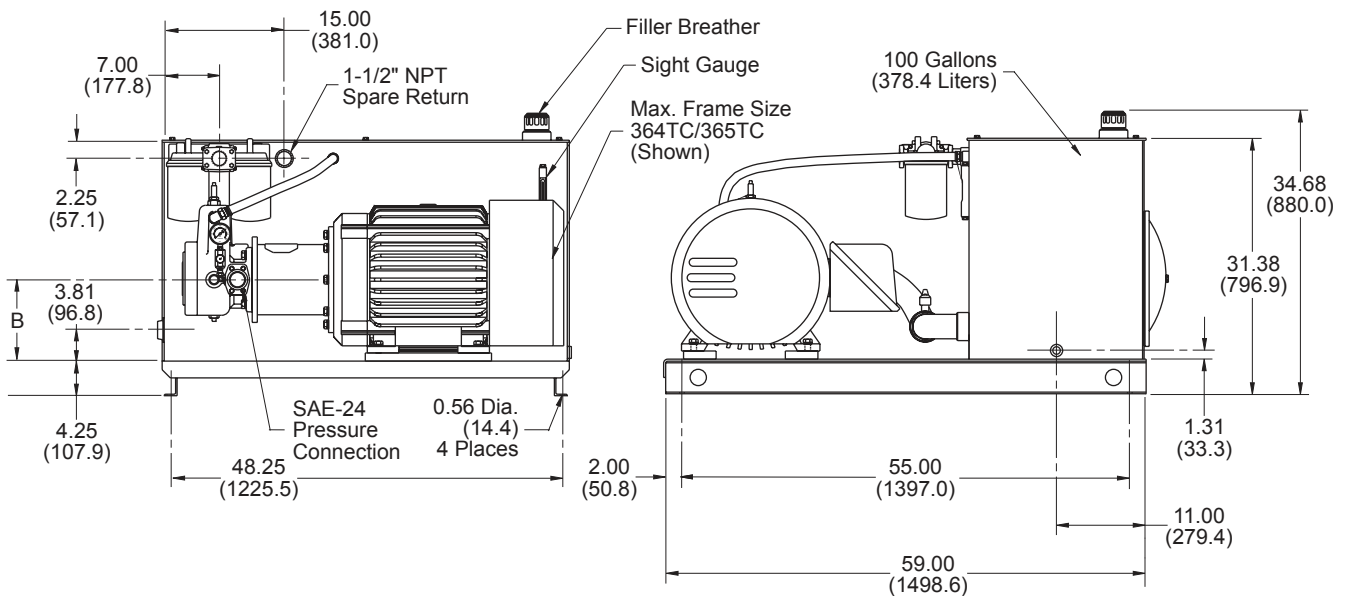
HYDRAULICS

Dimensions shown in: Inches (± .125)
 (millimeters (± 1 mm))



Dimensions

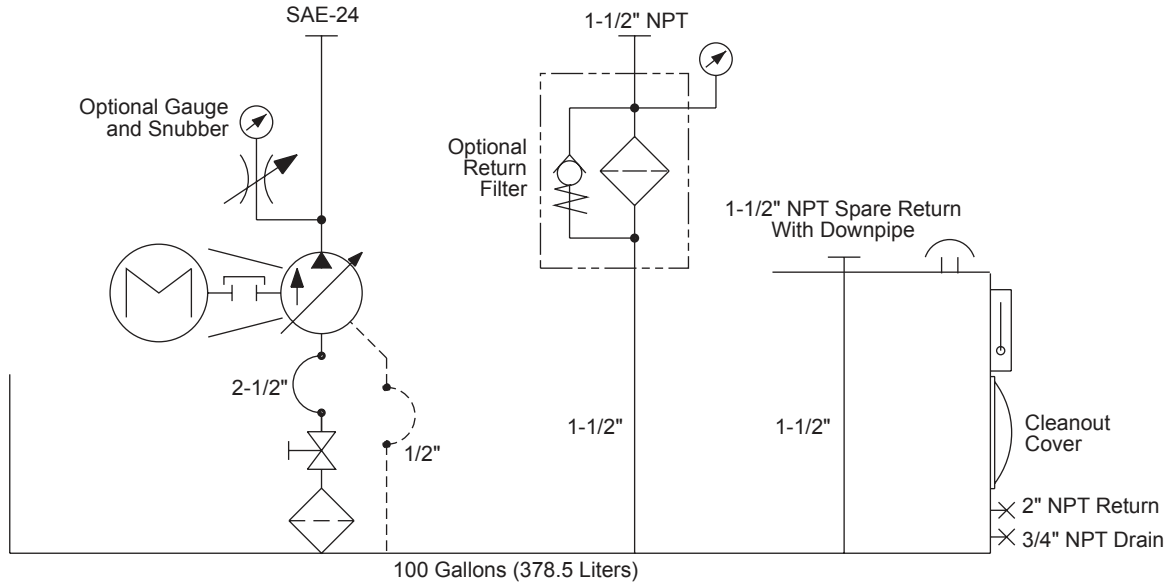
Motor Frame	A	B
213TC	32.13 (816.1)	6.50 (165.1)
215TC	33.63 (854.2)	6.50 (165.1)
254TC	38.00 (965.2)	7.00 (177.8)
256TC	39.69 (1008.1)	7.00 (177.8)
284TC	41.63 (1057.4)	7.75 (196.8)
286TC	43.13 (1095.5)	7.75 (196.8)
324TC	45.00 (1143.0)	8.75 (222.2)
326TC	45.00 (1143.0)	8.75 (222.2)
364TC	48.63 (1235.2)	9.75 (247.6)
365TC	48.63 (1235.2)	9.75 (247.6)



L-Shaped Style Power Units

100 GALLON CAPACITY

Schematic and Specifications - With PVR50 Vane Pump



GENERAL SPECIFICATIONS	LR100
Reservoir Capacity	100 Gal. (378.5 liters)
Surface Area For Heat Transfer	33.43 sq. ft. (3.11 m ²)
Heat Dissipation	Sq. Ft. of Vertical Steel x ΔT / 1000
Basic Weight (Less Oil, Pump, and Motor)	642 lbs. (291.2 kg)
Usable Gallons	15.16 Gal. (47.3 liters)
Gallons Per Inch Rise	4.49 Gal. (14.0 liters)
Capacity, Full to Top Plate	120.74 Gal. (362.1 liters)
Capacity, High on Sight Gauge	100.24 Gal. (305.3 liters)
Capacity, Low on Sight Gauge	85.08 Gal. (258.0 liters)
Pump Data*	
Flow Range	Up to 70 gpm (264.9 lpm)
Pressure Range	Up to 2000 psi (138 bar)
Power Range	Up to 75 HP (55.9 kW)

* See Continental Hydraulics Vane Pump or Piston Pump Catalogs for complete codes and specifications.

L-Shaped Power Units

100 GALLON CAPACITY

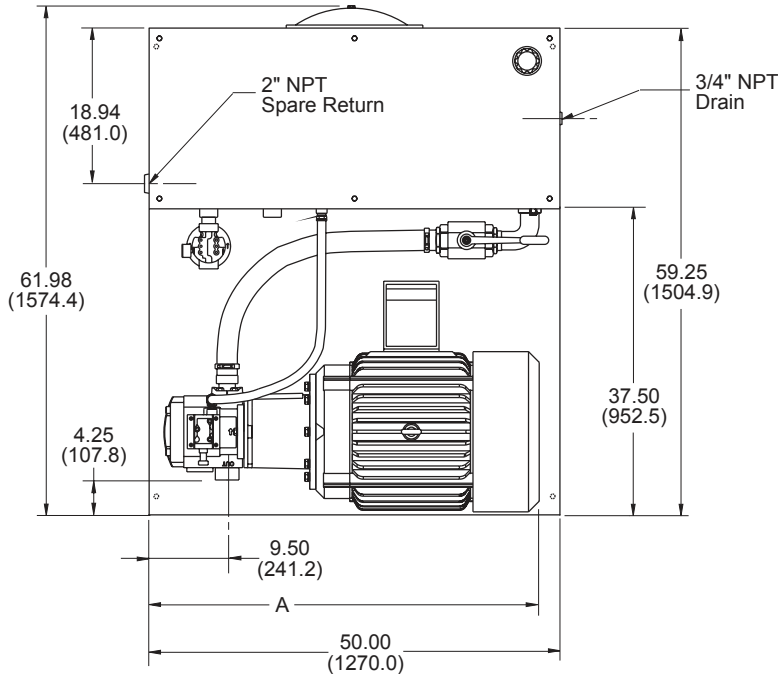
Dimension Drawing - With PVX20/29/36 Vane Pump

CONTINENTAL



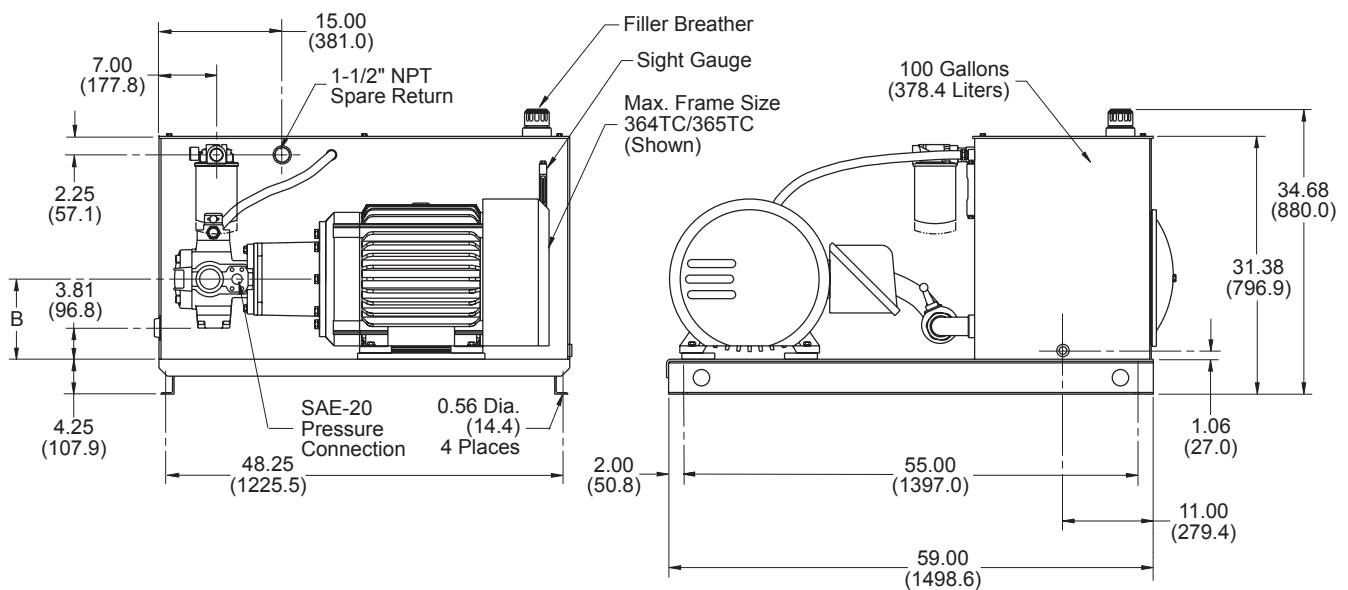
HYDRAULICS

Dimensions shown in: Inches (± .125)
 (millimeters (± 1 mm))



Dimensions

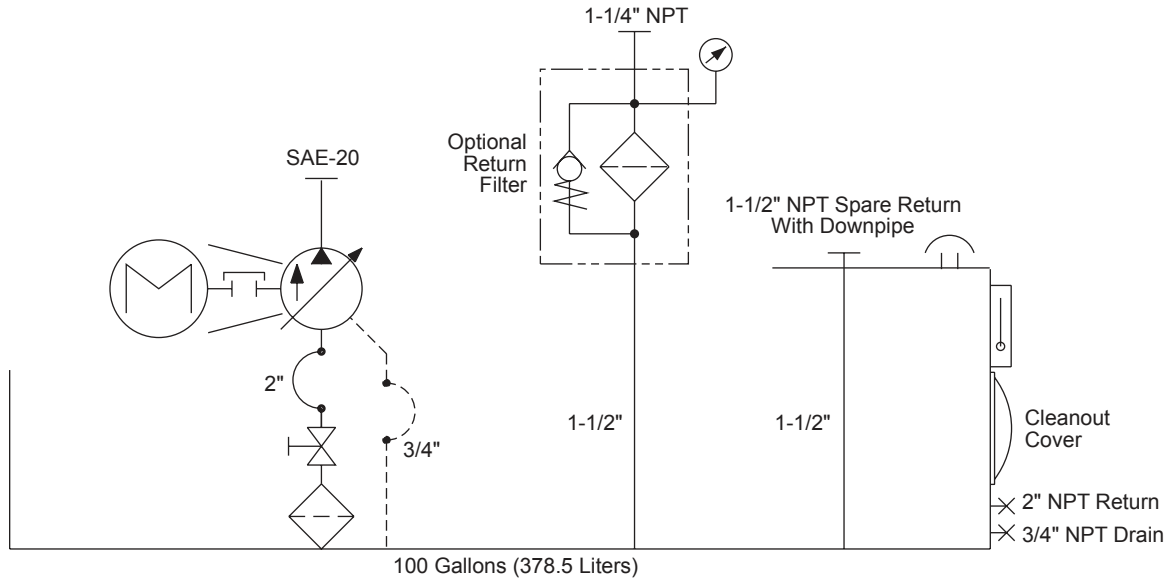
Motor Frame	A	B
213TC	32.00 (812.8)	6.50 (165.1)
215TC	33.50 (850.9)	6.50 (165.1)
254TC	37.81 (960.4)	7.00 (177.8)
256TC	39.56 (1004.8)	7.00 (177.8)
284TC	41.32 (1049.5)	7.75 (196.8)
286TC	43.81 (1099.6)	7.75 (196.8)
324TC	44.38 (1127.3)	8.75 (222.2)
326TC	44.38 (1127.3)	8.75 (222.2)
364TC	47.88 (1216.2)	9.75 (247.6)
365TC	47.88 (1216.2)	9.75 (247.6)



L-Shaped Style Power Units

100 GALLON CAPACITY

Schematic and Specifications - With PVX20/29/36 Vane Pump



GENERAL SPECIFICATIONS	LR100
Reservoir Capacity	100 Gal. (378.5 liters)
Surface Area For Heat Transfer	33.43 sq. ft. (3.11 m ²)
Heat Dissipation	Sq. Ft. of Vertical Steel x ΔT / 1000
Basic Weight (Less Oil, Pump, and Motor)	638 lbs. (289.4 kg)
Usable Gallons	15.16 Gal. (47.3 liters)
Gallons Per Inch Rise	4.49 Gal. (14.0 liters)
Capacity, Full to Top Plate	120.74 Gal. (362.1 liters)
Capacity, High on Sight Gauge	100.24 Gal. (305.3 liters)
Capacity, Low on Sight Gauge	85.08 Gal. (258.0 liters)
Pump Data*	
Flow Range	Up to 36 gpm (136.3 lpm)
Pressure Range	Up to 3000 psi (207 bar)
Power Range	Up to 75 HP (55.9 kW)

* See Continental Hydraulics Vane Pump or Piston Pump Catalogs for complete codes and specifications.

L-Shaped Power Units

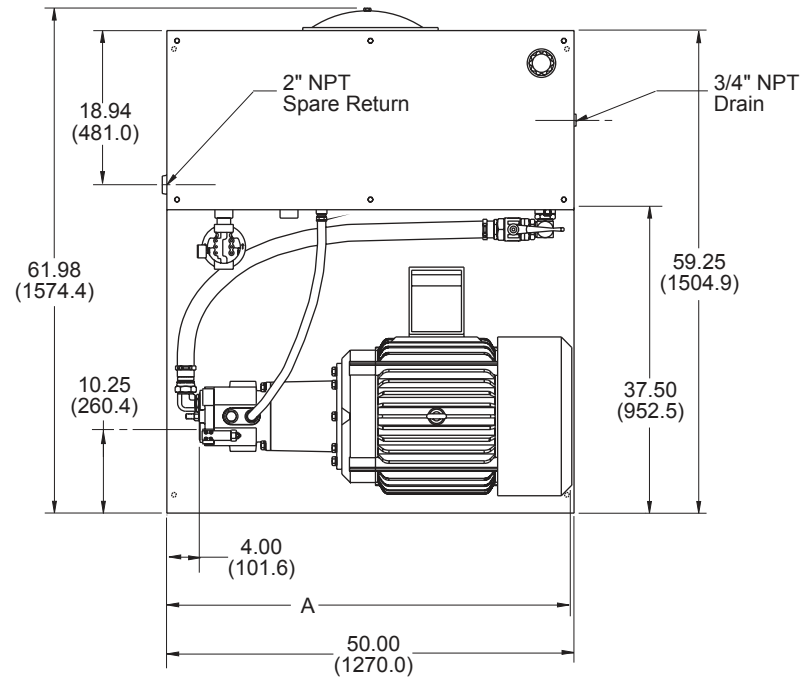
100 GALLON CAPACITY

Dimension Drawing - With HPV29 Piston Pump

CONTINENTAL



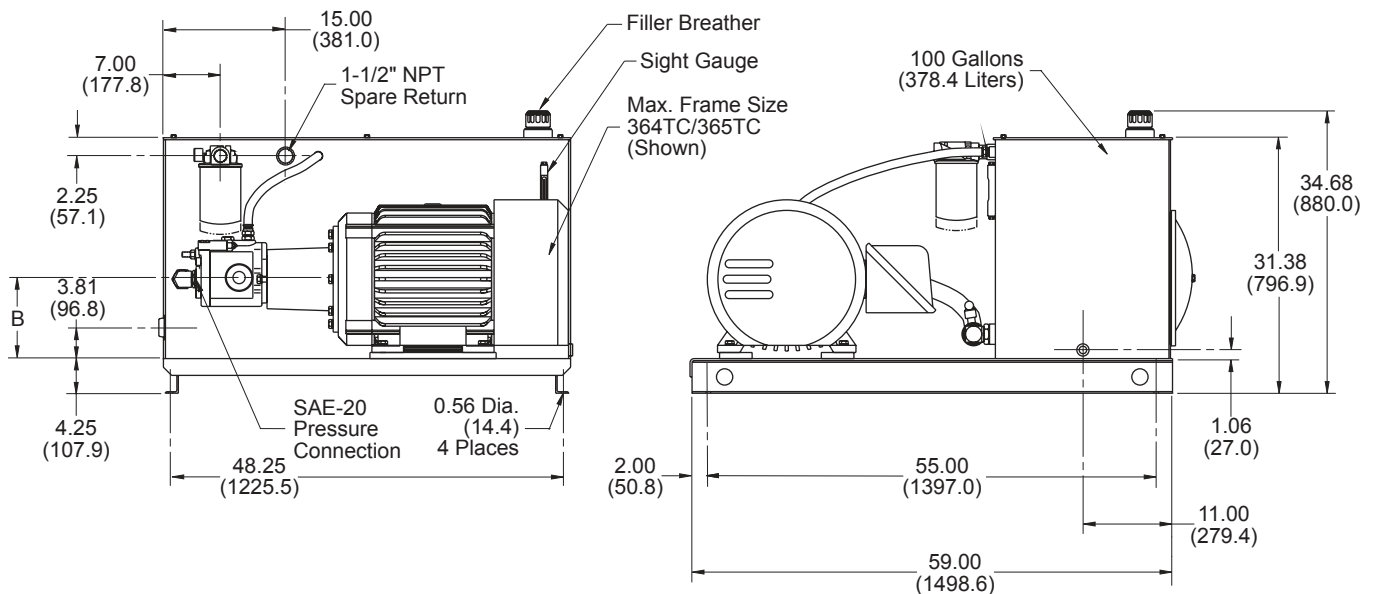
HYDRAULICS



Dimensions shown in: Inches (± .125)
 (millimeters (± 1 mm))

Dimensions

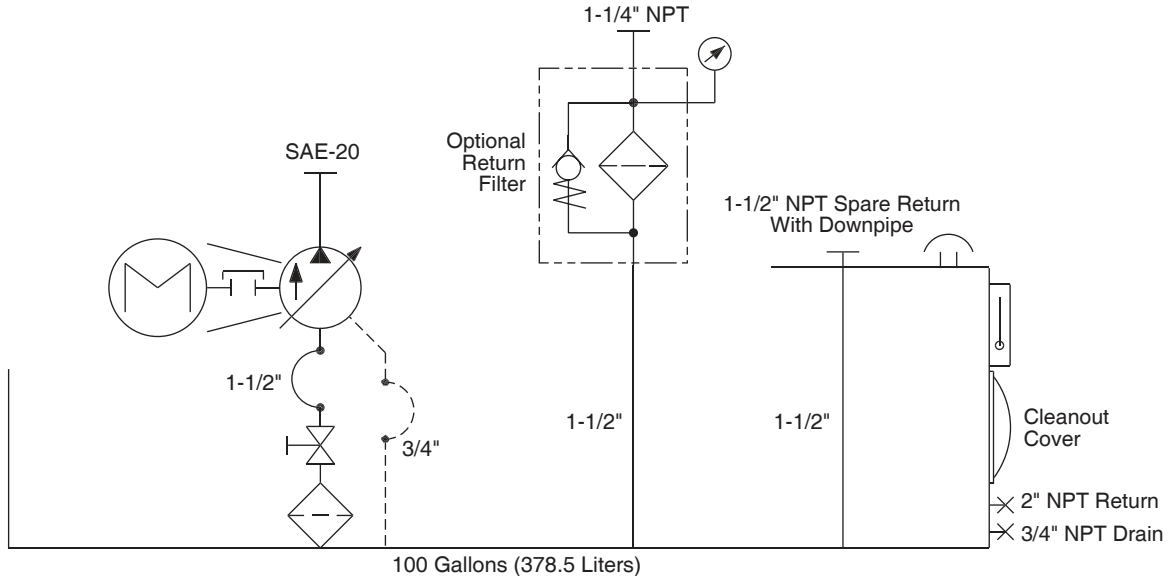
Motor Frame	A	B
254TC	39.75 (1009.6)	7.00 (177.8)
256TC	41.44 (1052.6)	7.00 (177.8)
284TC	43.25 (1098.5)	7.75 (196.8)
286TC	44.75 (1136.6)	7.75 (196.8)
324TC	46.25 (1174.7)	8.75 (222.2)
326TC	46.25 (1174.7)	8.75 (222.2)
364TC	49.75 (1263.6)	9.75 (247.6)
365TC	49.75 (1263.6)	9.75 (222.2)



L-Shaped Style Power Units

100 GALLON CAPACITY

Schematic and Specifications - With HPV29 Piston Pump



GENERAL SPECIFICATIONS	LR100
Reservoir Capacity	100 Gal. (378.5 liters)
Surface Area For Heat Transfer	33.43 sq. ft. (3.11 m ²)
Heat Dissipation	Sq. Ft. of Vertical Steel x ΔT / 1000
Basic Weight (Less Oil, Pump, and Motor)	638 lbs. (289.4 kg)
Usable Gallons	15.16 Gal. (47.3 liters)
Gallons Per Inch Rise	4.49 Gal. (14.0 liters)
Capacity, Full to Top Plate	120.74 Gal. (362.1 liters)
Capacity, High on Sight Gauge	100.24 Gal. (305.3 liters)
Capacity, Low on Sight Gauge	85.08 Gal. (258.0 liters)
Pump Data*	
Flow Range	Up to 29 gpm (109.8 lpm)
Pressure Range	Up to 3000 psi (207 bar)
Power Range	Up to 75 HP (55.9 kW)

* See Continental Hydraulics Vane Pump or Piston Pump Catalogs for complete codes and specifications.

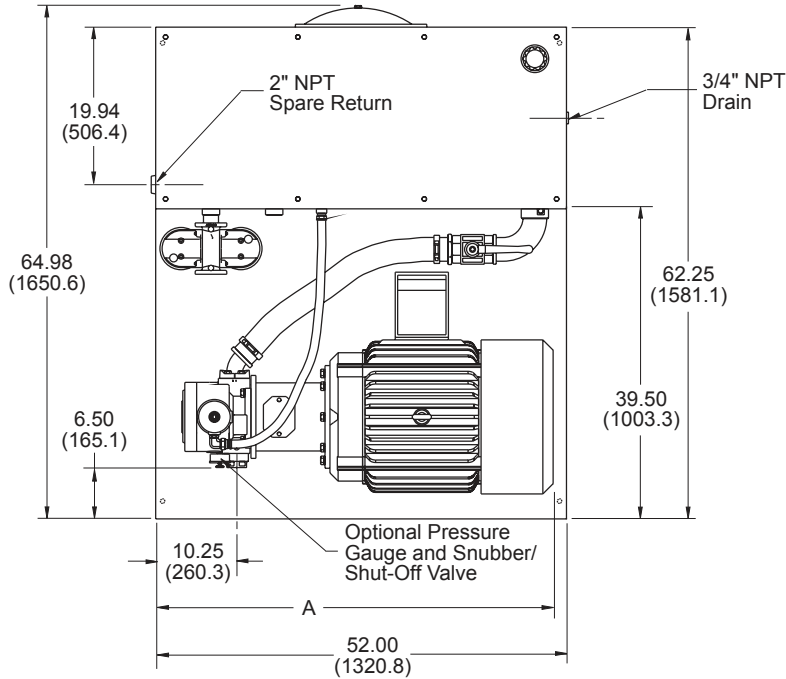
L-Shaped Power Units

120 GALLON CAPACITY

Dimension Drawing - With PVR50 Vane Pump

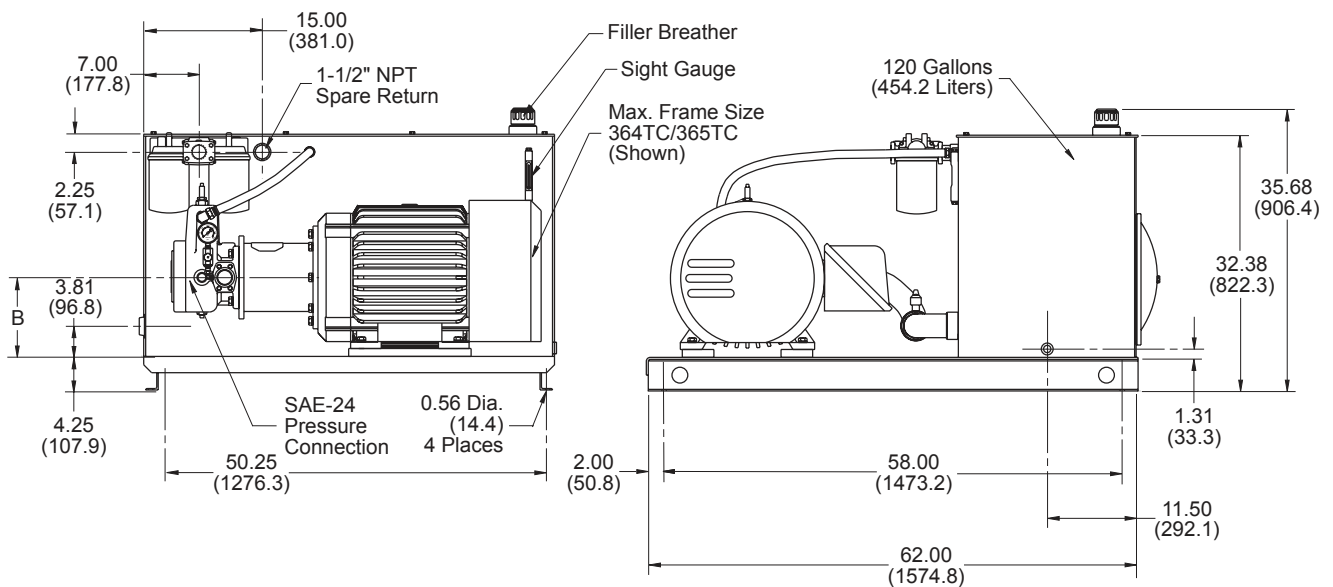


Dimensions shown in: Inches (± .125)
 (millimeters (± 1 mm))



Dimensions

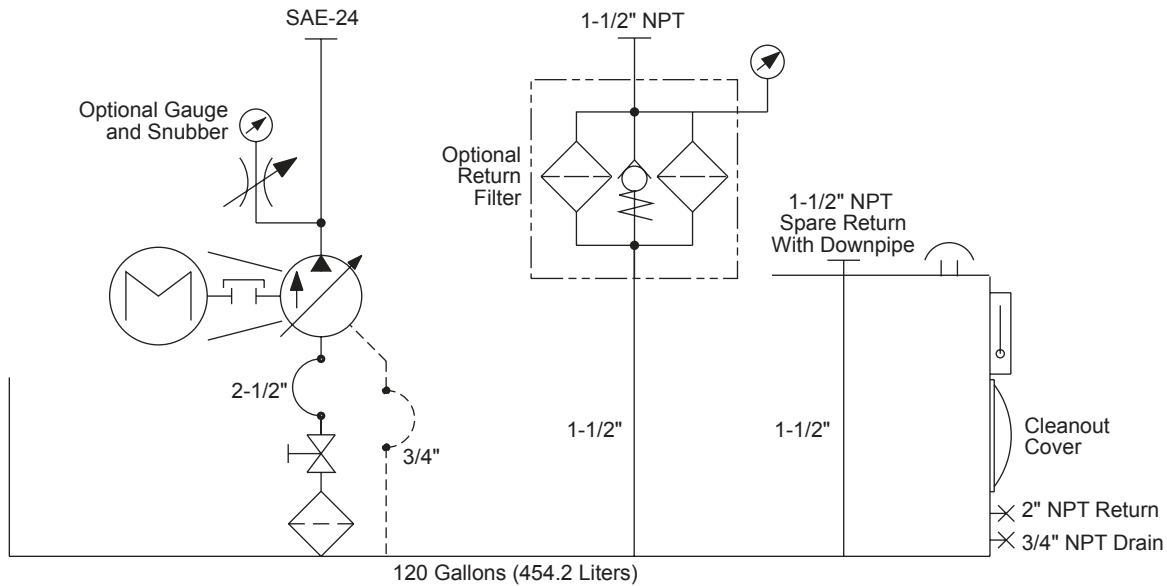
Motor Frame	A	B
213TC	33.13 (841.5)	6.50 (165.1)
215TC	34.63 (879.6)	6.50 (165.1)
254TC	39.00 (990.6)	7.00 (177.8)
256TC	40.66 (1017.5)	7.00 (177.8)
284TC	42.63 (1082.8)	7.75 (196.8)
286TC	44.13 (1120.9)	7.75 (196.8)
324TC	46.00 (1168.4)	8.75 (222.2)
326TC	46.00 (1168.4)	8.75 (222.2)
364TC	49.63 (1160.6)	9.75 (247.6)
365TC	49.63 (1160.6)	9.75 (247.6)



L-Shaped Style Power Units

120 GALLON CAPACITY

Schematic and Specifications - With PVR50 Vane Pump



GENERAL SPECIFICATIONS	LR120
Reservoir Capacity	120 Gal. (454.2 liters)
Surface Area For Heat Transfer	36.21 sq. ft. (3.36 m ²)
Heat Dissipation	Sq. Ft. of Vertical Steel x ΔT / 1000
Basic Weight (Less Oil, Pump, and Motor)	687 lbs. (311.6 kg)
Usable Gallons	16.53 Gal. (62.6 liters)
Gallons Per Inch Rise	4.90 Gal. (18.5 liters)
Capacity, Full to Top Plate	136.50 Gal. (516.7 liters)
Capacity, High on Sight Gauge	120.28 Gal. (455.3 liters)
Capacity, Low on Sight Gauge	103.75 Gal. (392.7 liters)
Pump Data*	
Flow Range	Up to 70 gpm (264.9 lpm)
Pressure Range	Up to 2000 psi (138 bar)
Power Range	Up to 75 HP (55.9 kW)

* See Continental Hydraulics Vane Pump or Piston Pump Catalogs for complete codes and specifications.

L-Shaped Power Units

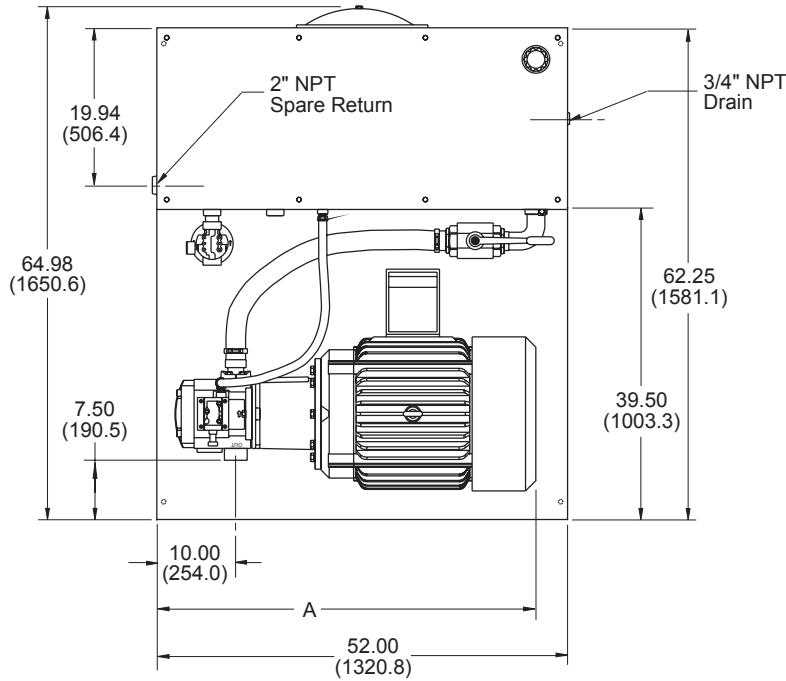
120 GALLON CAPACITY

Dimension Drawing - With PVX20/29/36 Vane Pump

CONTINENTAL



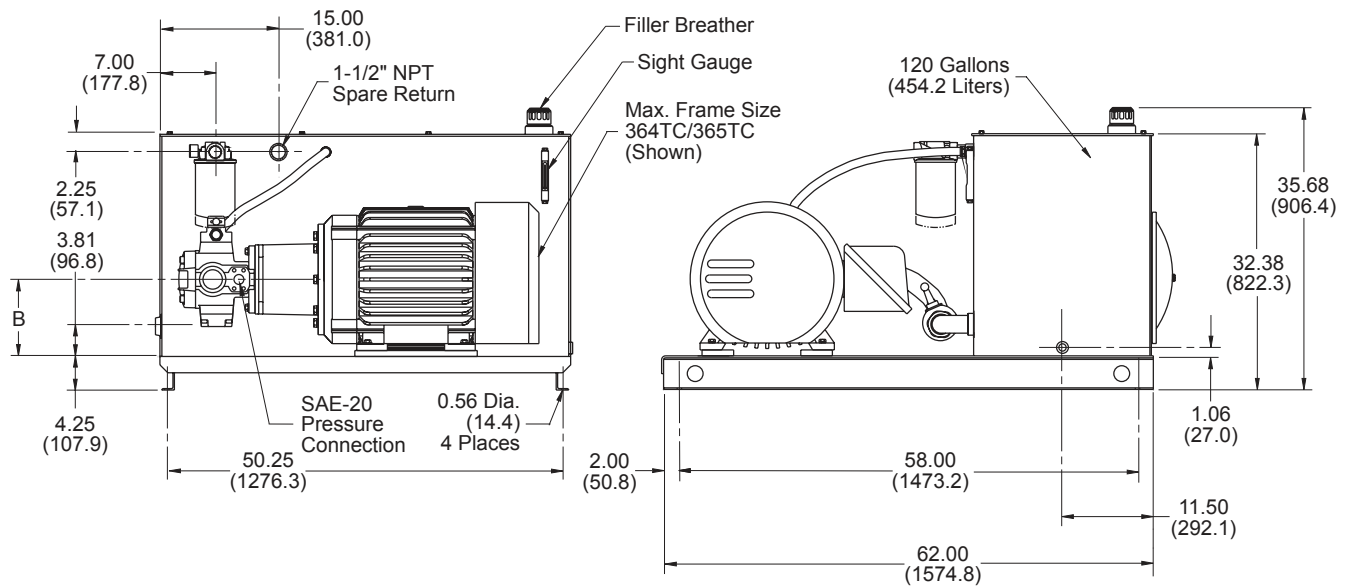
HYDRAULICS



Dimensions shown in: Inches ($\pm .125$)
 (millimeters (± 1 mm))

Dimensions

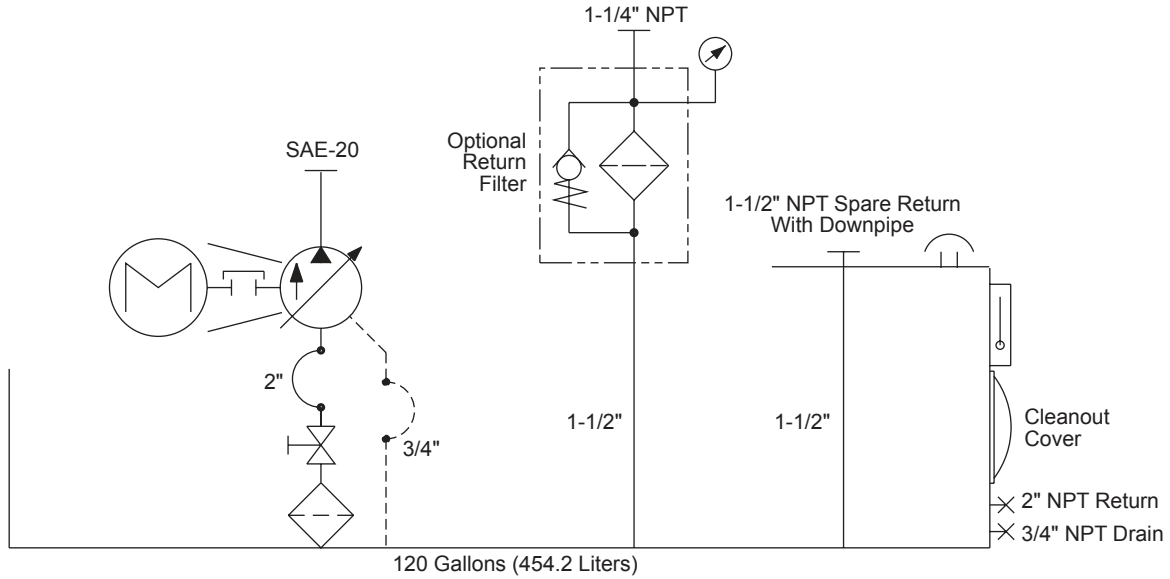
Motor Frame	A	B
213TC	32.50 (825.5)	6.50 (165.1)
215TC	34.00 (863.6)	6.50 (165.1)
254TC	38.38 (974.9)	7.00 (177.8)
256TC	40.03 (1016.8)	7.00 (177.8)
284TC	41.82 (1062.2)	7.75 (196.8)
286TC	43.32 (1100.3)	7.75 (196.8)
324TC	44.88 (1140.0)	8.75 (222.2)
326TC	44.88 (1140.0)	8.75 (222.2)
364TC	48.38 (1228.9)	9.75 (247.6)
365TC	48.38 (1228.9)	9.75 (247.6)



L-Shaped Style Power Units

120 GALLON CAPACITY

Schematic and Specifications - With PVX20/29/36 Vane Pump



GENERAL SPECIFICATIONS	LR120
Reservoir Capacity	120 Gal. (454.2 liters)
Surface Area For Heat Transfer	36.21 sq. ft. (3.36 m ²)
Heat Dissipation	Sq. Ft. of Vertical Steel x ΔT / 1000
Basic Weight (Less Oil, Pump, and Motor)	677 lbs. (307.1 kg)
Usable Gallons	16.53 Gal. (62.6 liters)
Gallons Per Inch Rise	4.90 Gal. (18.5 liters)
Capacity, Full to Top Plate	136.50 Gal. (516.7 liters)
Capacity, High on Sight Gauge	120.28 Gal. (455.3 liters)
Capacity, Low on Sight Gauge	103.75 Gal. (392.7 liters)
Pump Data*	
Flow Range	Up to 36 gpm (136.3 lpm)
Pressure Range	Up to 3000 psi (207 bar)
Power Range	Up to 75 HP (55.9 kW)

* See Continental Hydraulics Vane Pump or Piston Pump Catalogs for complete codes and specifications.

L-Shaped Power Units

120 GALLON CAPACITY

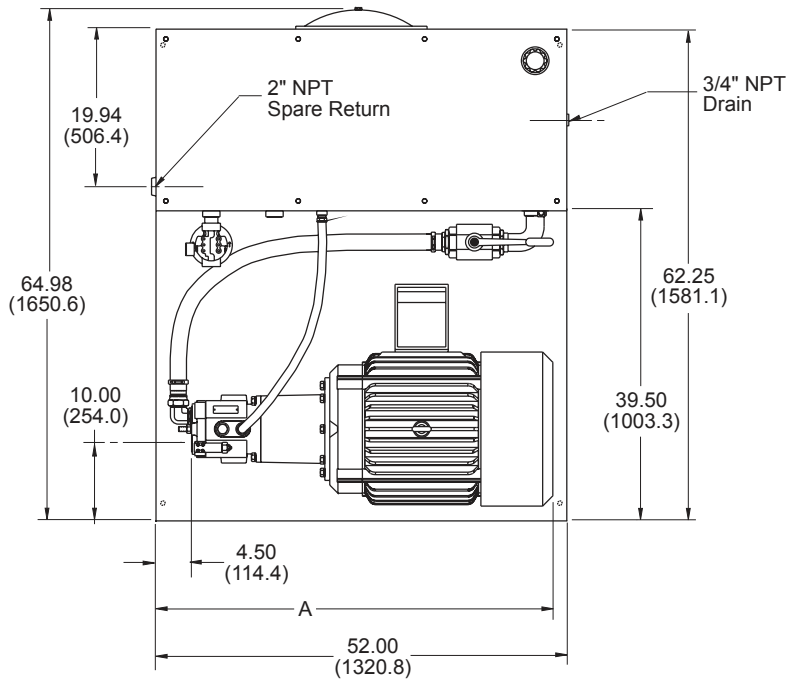
Dimension Drawing - With HPV29 Piston Pump

CONTINENTAL



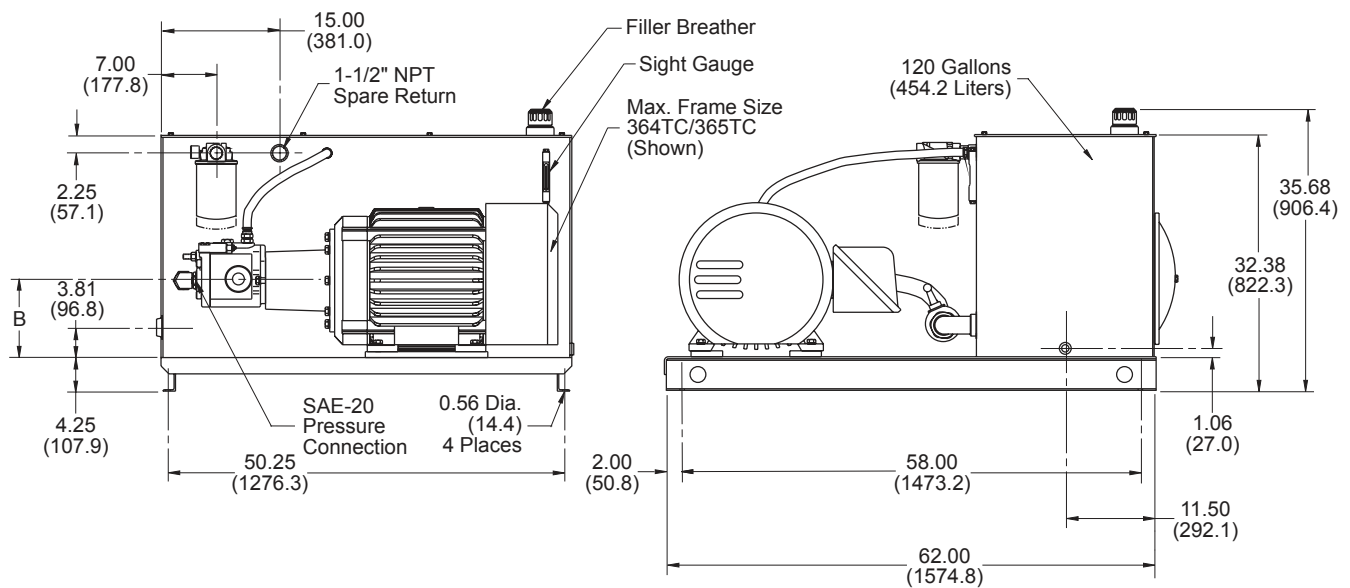
HYDRAULICS

Dimensions shown in: Inches (± .125)
(millimeters (± 1 mm))



Dimensions

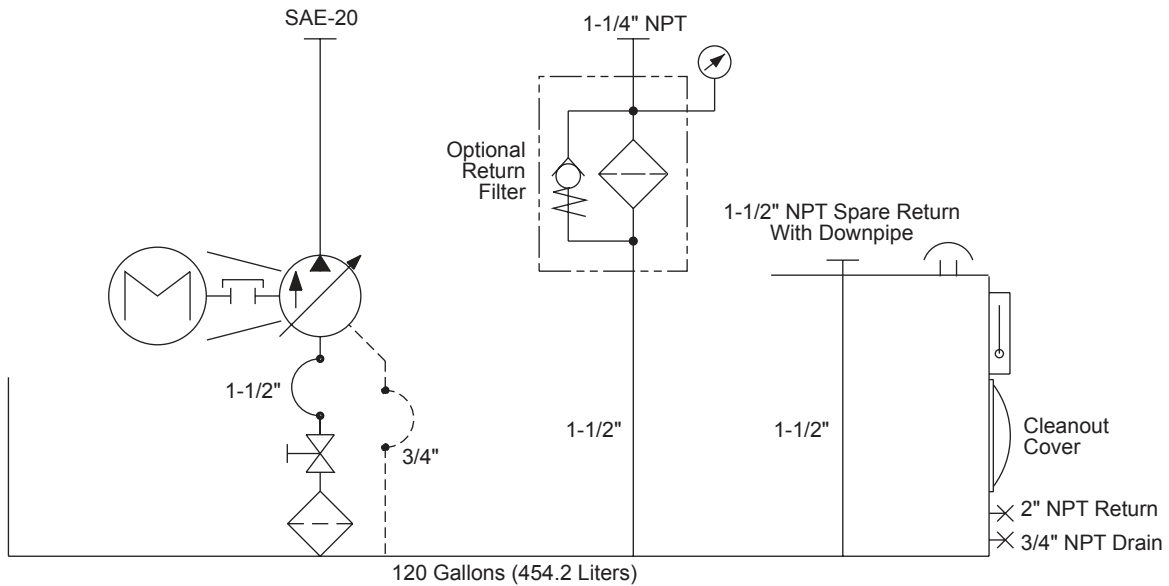
Motor Frame	A	B
254TC	40.25 (1022.3)	7.00 (177.8)
256TC	41.94 (1065.3)	7.00 (177.8)
284TC	43.75 (1111.2)	7.75 (196.8)
286TC	45.25 (1149.3)	7.75 (196.8)
324TC	46.75 (1187.4)	8.75 (222.2)
326TC	46.75 (1187.4)	8.75 (222.2)
364TC	50.25 (1276.3)	9.75 (247.6)
365TC	50.25 (1276.3)	9.75 (222.2)



L-Shaped Style Power Units

120 GALLON CAPACITY

Schematic and Specifications - With HPV29 Piston Pump



GENERAL SPECIFICATIONS	LR120
Reservoir Capacity	120 Gal. (454.2 liters)
Surface Area For Heat Transfer	36.21 sq. ft. (3.36 m ²)
Heat Dissipation	Sq. Ft. of Vertical Steel x ΔT / 1000
Basic Weight (Less Oil, Pump, and Motor)	677 lbs. (307.1 kg)
Usable Gallons	16.53 Gal. (62.6 liters)
Gallons Per Inch Rise	4.90 Gal. (18.5 liters)
Capacity, Full to Top Plate	136.50 Gal. (516.7 liters)
Capacity, High on Sight Gauge	120.28 Gal. (455.3 liters)
Capacity, Low on Sight Gauge	103.75 Gal. (392.7 liters)
Pump Data*	
Flow Range	Up to 29 gpm (109.8 lpm)
Pressure Range	Up to 3000 psi (207 bar)
Power Range	Up to 75 HP (55.9 kW)

* See Continental Hydraulics Vane Pump or Piston Pump Catalogs for complete codes and specifications.

L-Shaped Power Units

150 GALLON CAPACITY

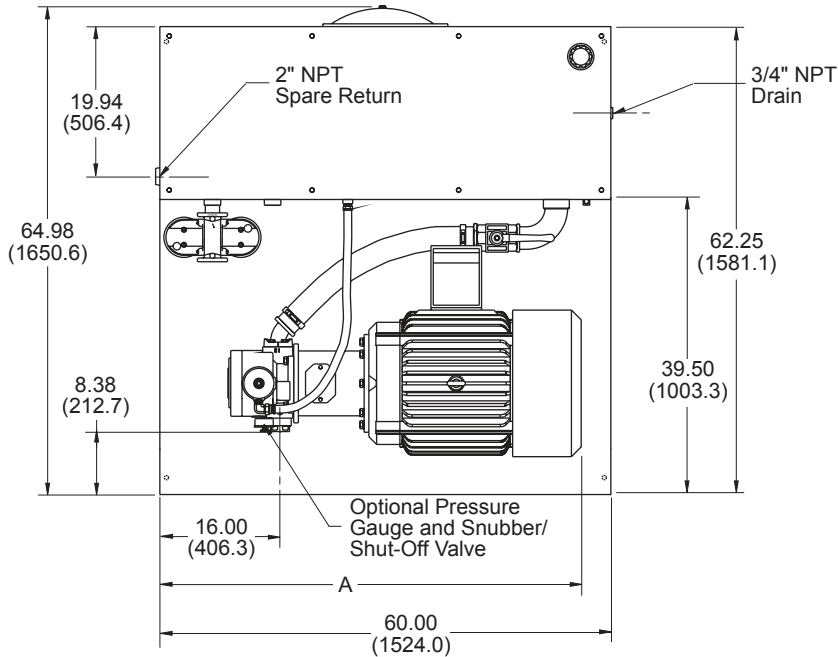
Dimension Drawing - With PVR50 Vane Pump

CONTINENTAL



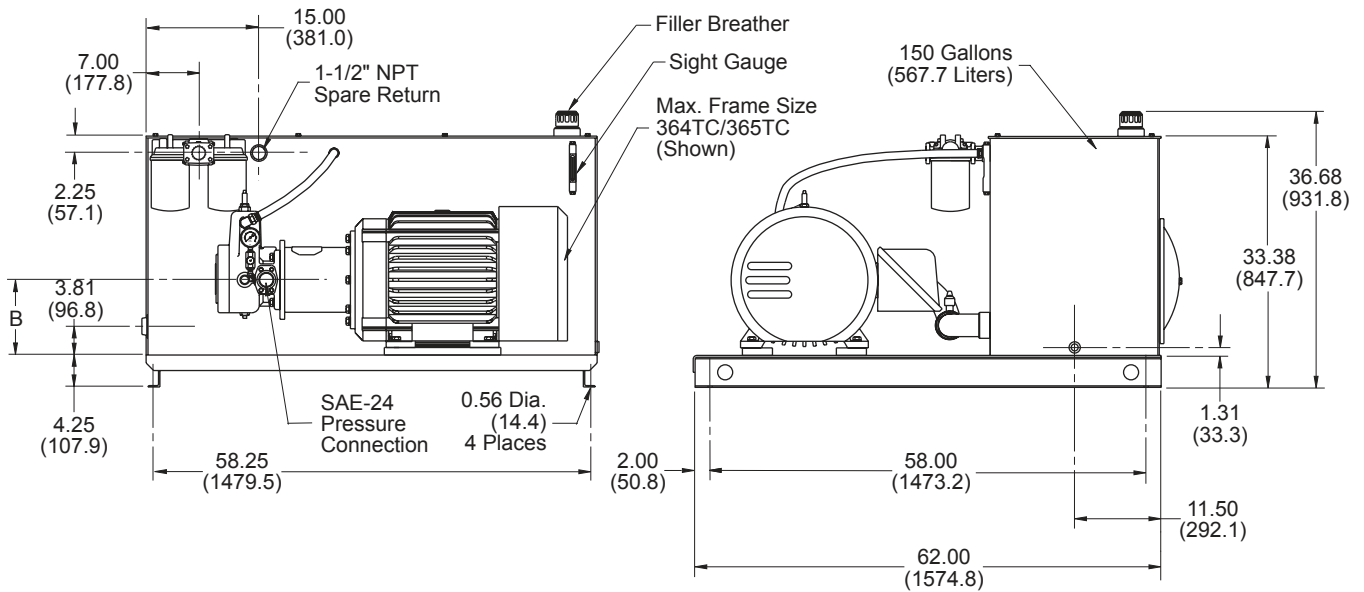
HYDRAULICS

Dimensions shown in: Inches (± .125)
 (millimeters (± 1 mm))



Dimensions

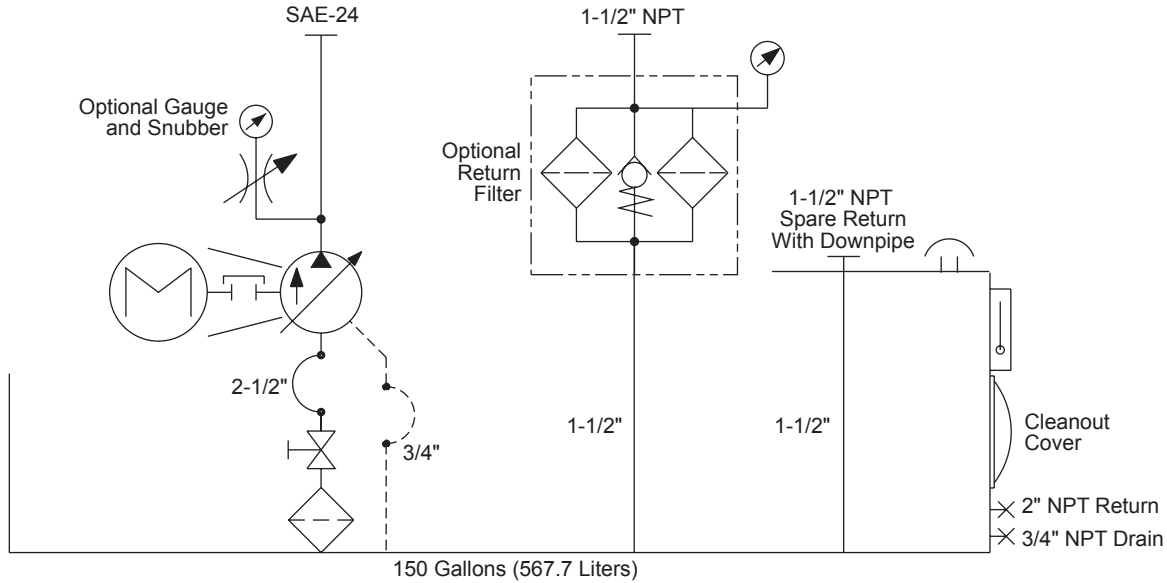
Motor Frame	A	B
213TC	38.88 (987.6)	6.50 (165.1)
215TC	40.38 (1025.7)	6.50 (165.1)
254TC	44.75 (1136.6)	7.00 (177.8)
256TC	46.44 (1179.6)	7.00 (177.8)
284TC	48.38 (1228.9)	7.75 (196.8)
286TC	49.88 (1267.0)	7.75 (196.8)
324TC	51.75 (1314.4)	8.75 (222.2)
326TC	51.75 (1314.4)	8.75 (222.2)
364TC	55.38 (1406.7)	9.75 (247.6)
365TC	55.38 (1406.7)	9.75 (247.6)



L-Shaped Style Power Units

150 GALLON CAPACITY

Schematic and Specifications - With PVR50 Vane Pump



GENERAL SPECIFICATIONS	LR150
Reservoir Capacity	150 Gal. (567.7 liters)
Surface Area For Heat Transfer	41.67 sq. ft. (3.87 m ²)
Heat Dissipation	Sq. Ft. of Vertical Steel x ΔT / 1000
Basic Weight (Less Oil, Pump, and Motor)	787 lbs. (357.0 kg)
Usable Gallons	19.11 Gal. (72.3 liters)
Gallons Per Inch Rise	5.66 Gal. (21.4 liters)
Capacity, Full to Top Plate	163.52 Gal. (618.9 liters)
Capacity, High on Sight Gauge	150.42 Gal. (569.3 liters)
Capacity, Low on Sight Gauge	131.31 Gal. (497.0 liters)
Pump Data*	
Flow Range	Up to 70 gpm (264.9 lpm)
Pressure Range	Up to 2000 psi (138 bar)
Power Range	Up to 75 HP (55.9 kW)

* See Continental Hydraulics Vane Pump or Piston Pump Catalogs for complete codes and specifications.

L-Shaped Power Units

150 GALLON CAPACITY

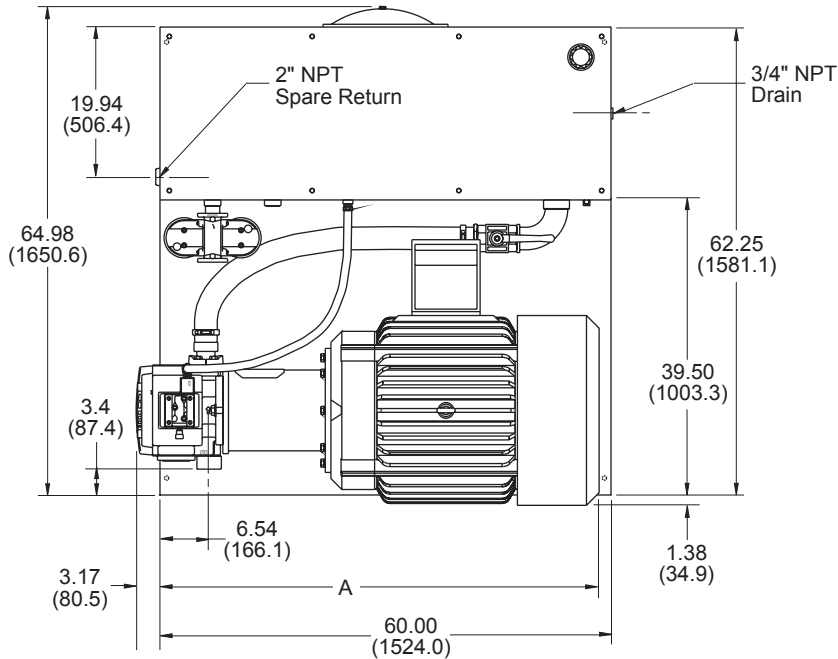
Dimension Drawing - With PVX46/60/75 Vane Pump

CONTINENTAL



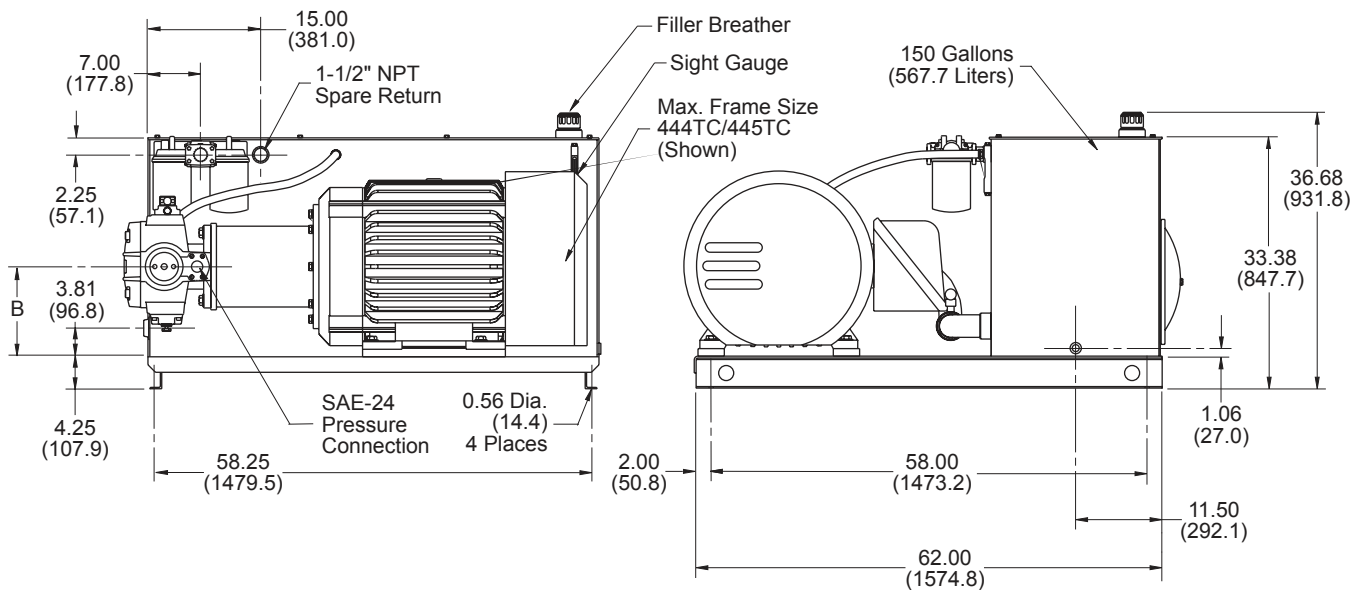
HYDRAULICS

Dimensions shown in: Inches (± .125)
(millimeters (± 1 mm))



Dimensions

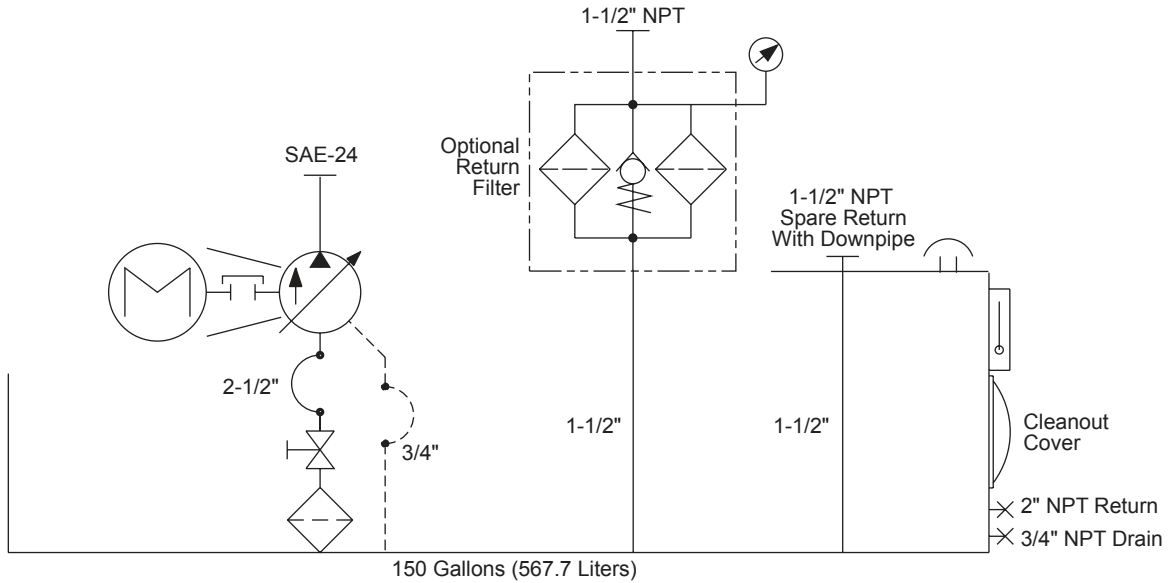
Motor Frame	A	B
324TC	42.56 (1081.0)	8.75 (222.2)
326TC	42.56 (1081.0)	8.75 (222.2)
364TC	45.56 (1157.2)	9.75 (247.6)
365TC	45.56 (1157.2)	9.75 (247.6)
404TC	51.94 (1319.3)	11.00 (279.4)
405TC	51.94 (1319.3)	11.00 (279.4)
444TC	58.88 (1495.6)	12.00 (304.8)



L-Shaped Style Power Units

150 GALLON CAPACITY

Schematic and Specifications - With PVX46/60/75 Vane Pump



GENERAL SPECIFICATIONS	LR150
Reservoir Capacity	150 Gal. (567.7 liters)
Surface Area For Heat Transfer	41.67 sq. ft. (3.87 m ²)
Heat Dissipation	Sq. Ft. of Vertical Steel x ΔT / 1000
Basic Weight (Less Oil, Pump, and Motor)	802 lbs. (363.8 kg)
Usable Gallons	19.11 Gal. (72.3 liters)
Gallons Per Inch Rise	5.66 Gal. (21.4 liters)
Capacity, Full to Top Plate	163.52 Gal. (618.9 liters)
Capacity, High on Sight Gauge	150.42 Gal. (569.3 liters)
Capacity, Low on Sight Gauge	131.31 Gal. (497.0 liters)
Pump Data*	
Flow Range	Up to 75 gpm (283.9 lpm)
Pressure Range	Up to 2500 psi (172 bar)
Power Range	Up to 125 HP (93.2 kW)

* See Continental Hydraulics Vane Pump or Piston Pump Catalogs for complete codes and specifications.

L-Shaped Power Units

200 GALLON CAPACITY

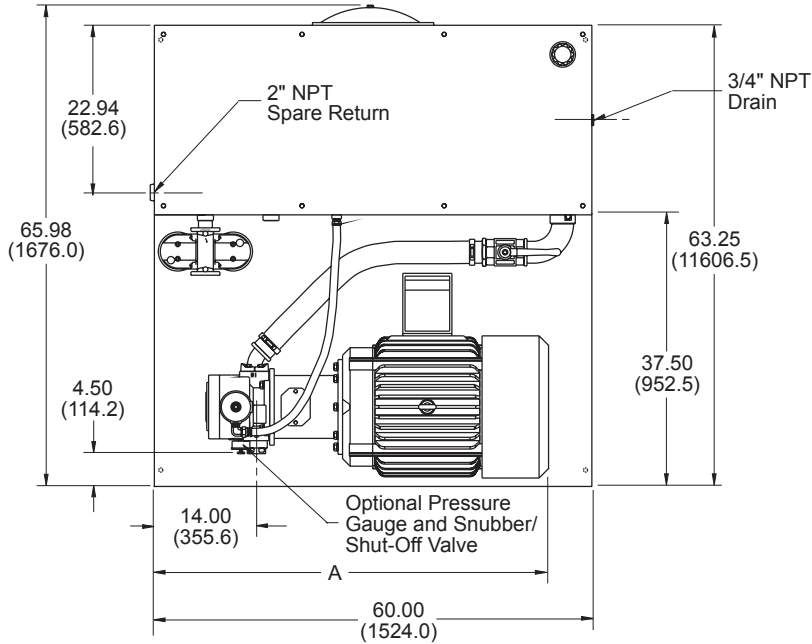
Dimension Drawing - With PVR50 Vane Pump

CONTINENTAL



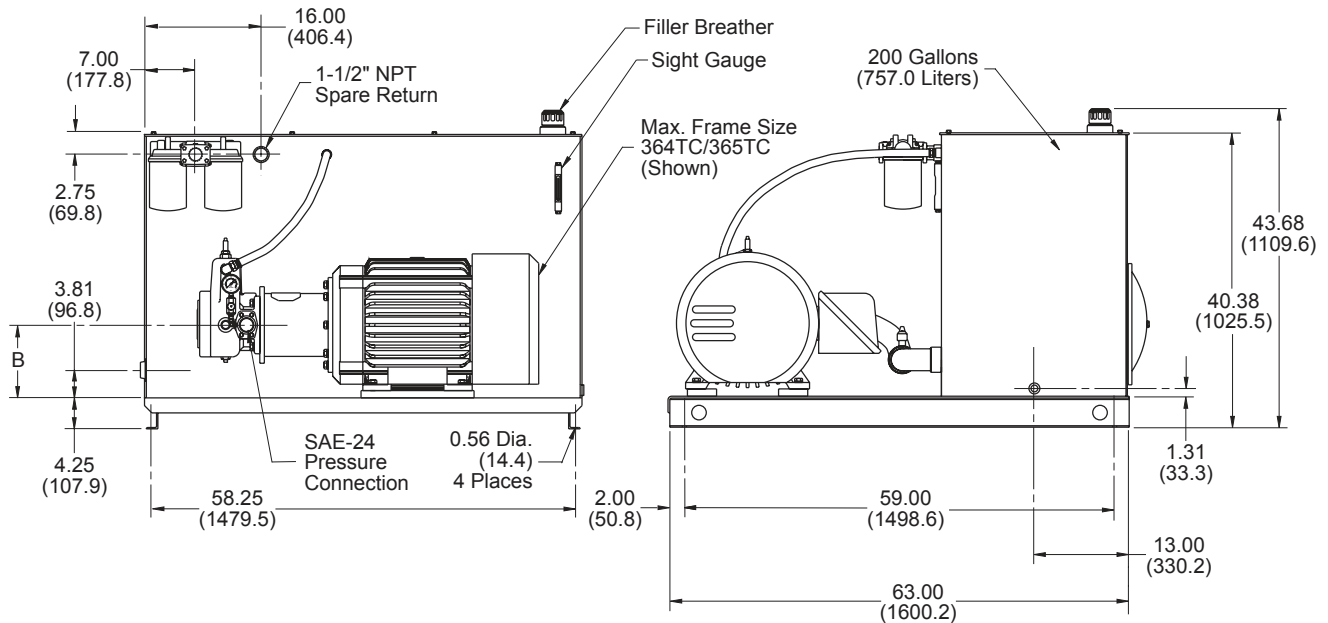
HYDRAULICS

Dimensions shown in: Inches (± .125)
(millimeters (± 1 mm))



Dimensions

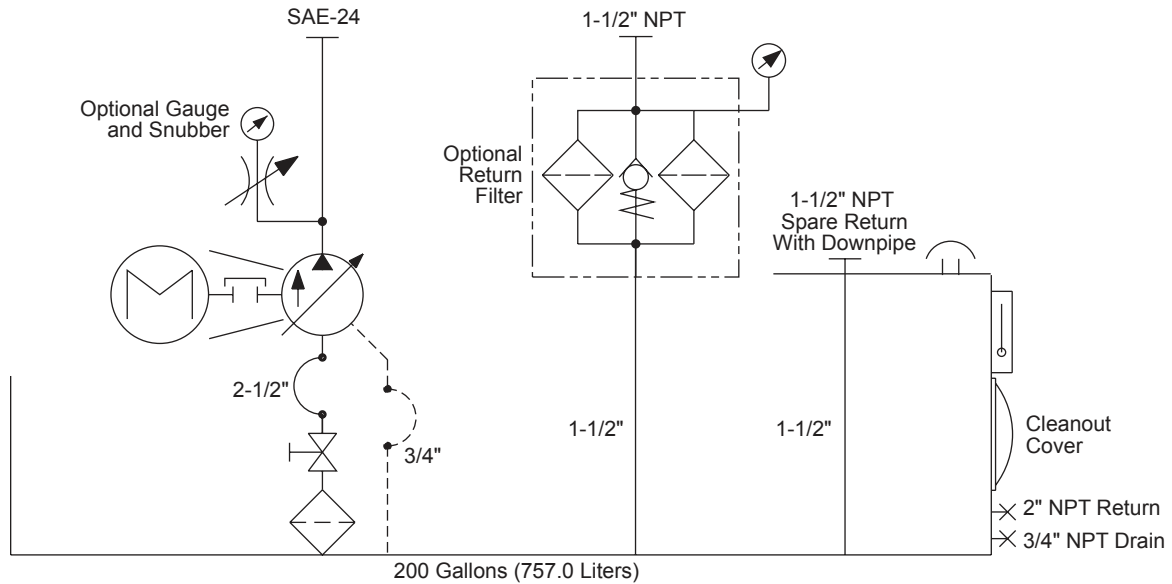
Motor Frame	A	B
213TC	36.88 (936.8)	6.50 (165.1)
215TC	38.38 (974.9)	6.50 (165.1)
254TC	42.75 (1085.8)	7.00 (177.8)
256TC	44.44 (1128.8)	7.00 (177.8)
284TC	46.38 (1178.1)	7.75 (196.8)
286TC	47.88 (1216.2)	7.75 (196.8)
324TC	49.75 (1263.6)	8.75 (222.2)
326TC	49.75 (1263.6)	8.75 (222.2)
364TC	53.38 (1355.9)	9.75 (247.6)
365TC	53.38 (1355.9)	9.75 (247.6)



L-Shaped Style Power Units

200 GALLON CAPACITY

Schematic and Specifications - With PVR50 Vane Pump



GENERAL SPECIFICATIONS	LR200
Reservoir Capacity	200 Gal. (757.0 liters)
Surface Area For Heat Transfer	52.29 sq. ft. (4.86 m ²)
Heat Dissipation	Sq. Ft. of Vertical Steel x ΔT / 1000
Basic Weight (Less Oil, Pump, and Motor)	1005 lbs. (455.9 kg)
Usable Gallons	21.71 Gal. (82.2 liters)
Gallons Per Inch Rise	6.43 Gal. (24.3 liters)
Capacity, Full to Top Plate	230.71 Gal. (873.2 liters)
Capacity, High on Sight Gauge	195.74 Gal. (740.9 liters)
Capacity, Low on Sight Gauge	174.03 Gal. (658.7 liters)
Pump Data*	
Flow Range	Up to 70 gpm (264.9 lpm)
Pressure Range	Up to 2000 psi (138 bar)
Power Range	Up to 75 HP (55.9 kW)

* See Continental Hydraulics Vane Pump or Piston Pump Catalogs for complete codes and specifications.

L-Shaped Power Units

200 GALLON CAPACITY

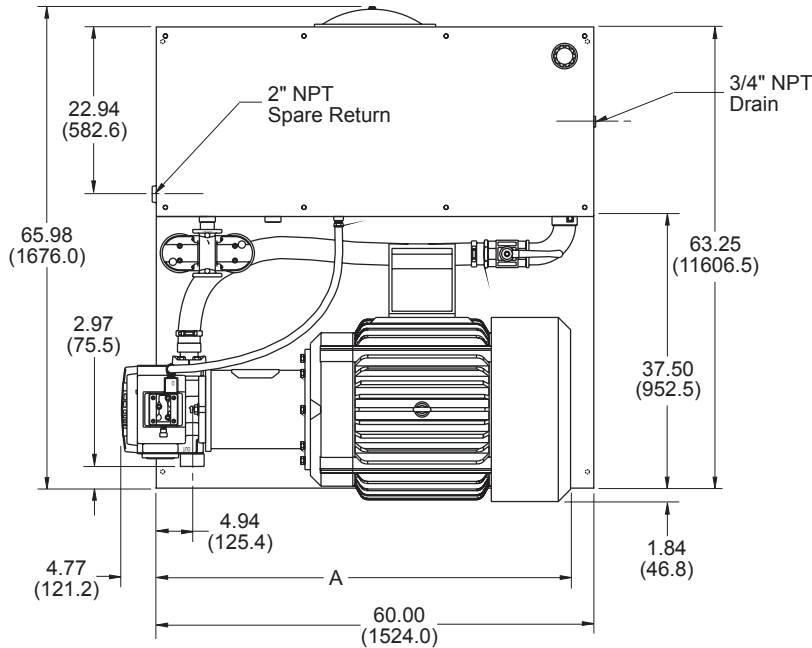
Dimension Drawing - With PVX46/60/75 Vane Pump

CONTINENTAL



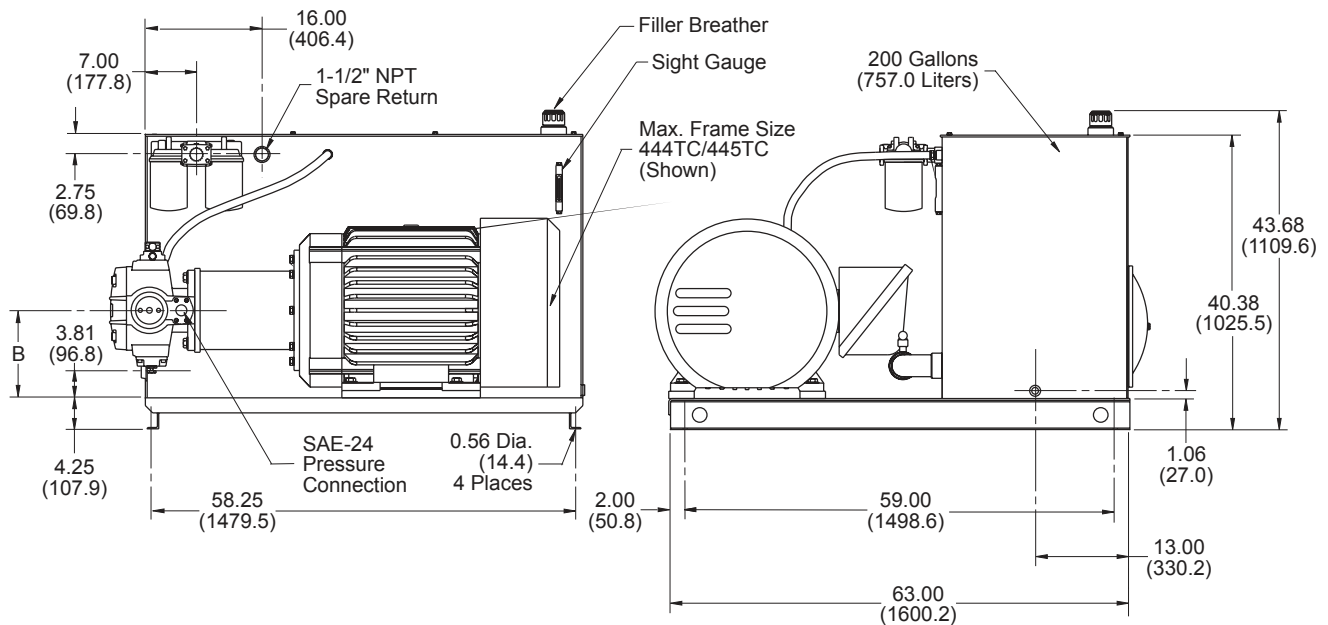
HYDRAULICS

Dimensions shown in: Inches (± .125)
millimeters (± 1 mm)



Dimensions

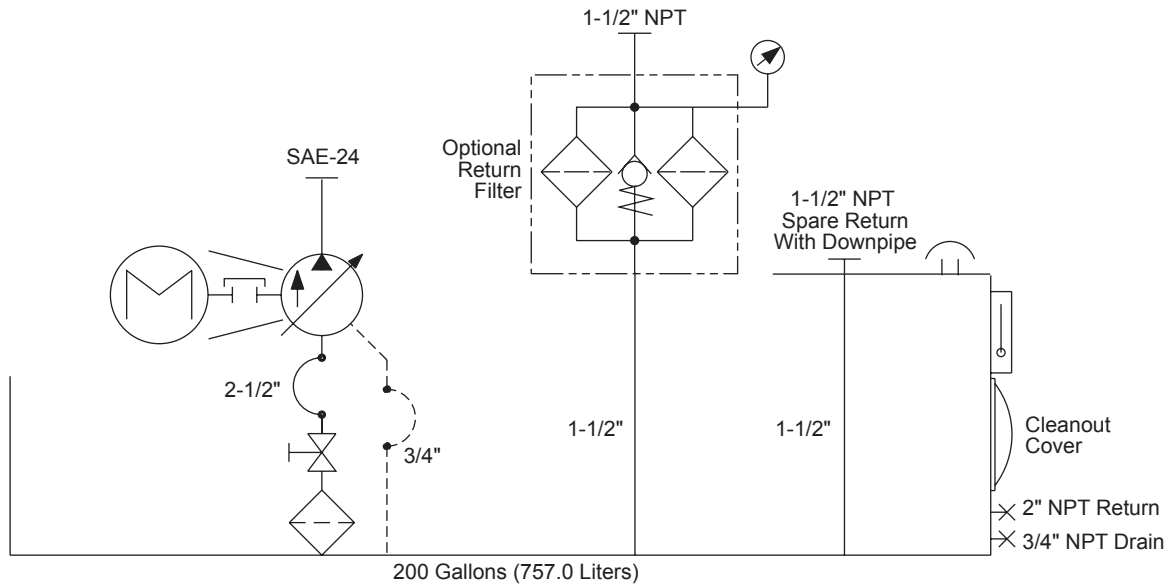
Motor Frame	A	B
324TC	40.94 (1039.9)	8.75 (222.2)
326TC	40.94 (1039.9)	8.75 (222.2)
364TC	44.00 (1117.6)	9.75 (247.6)
365TC	44.00 (1117.6)	9.75 (247.6)
404TC	50.32 (1278.1)	11.00 (279.4)
405TC	50.32 (1278.1)	11.00 (279.4)
444TC	57.25 (1454.1)	12.00 (304.8)



L-Shaped Style Power Units

200 GALLON CAPACITY

Schematic and Specifications - With PVX46/60/75 Vane Pump



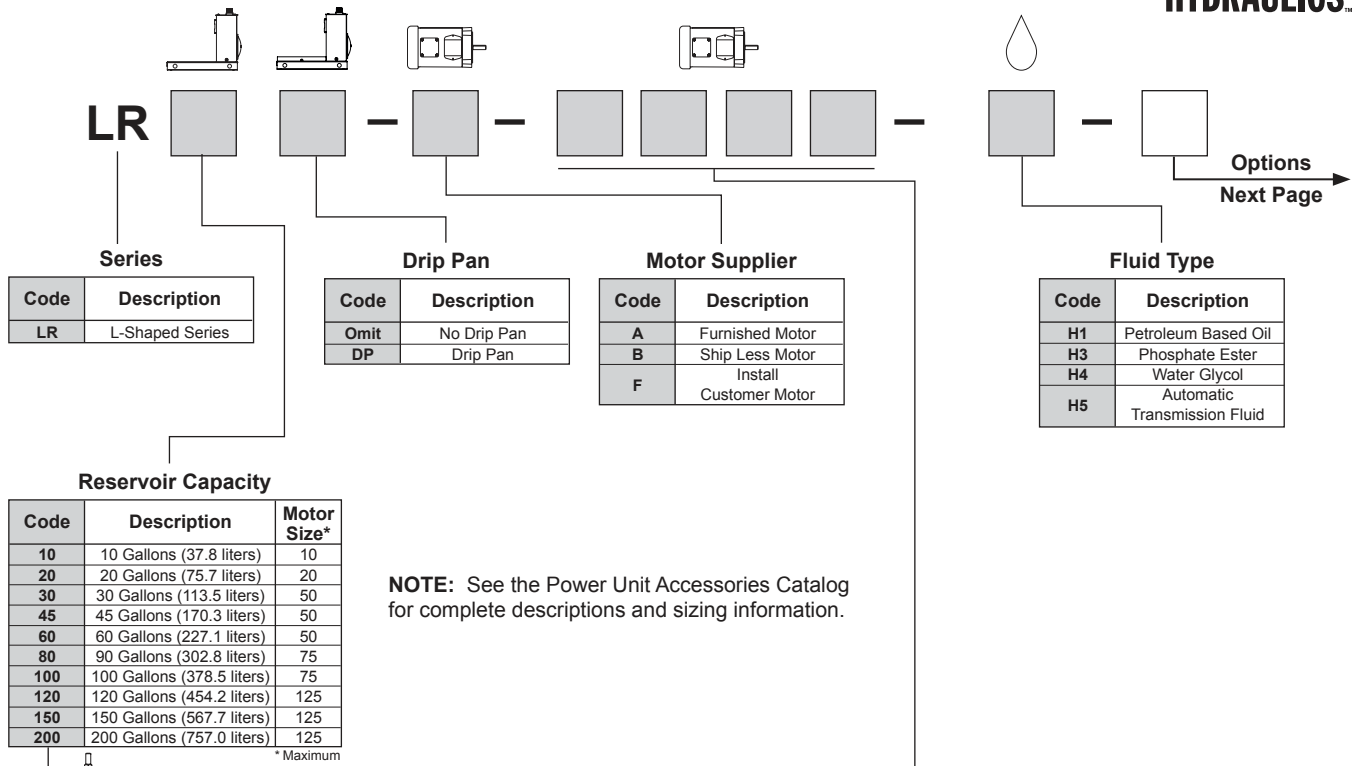
GENERAL SPECIFICATIONS	LR200
Reservoir Capacity	200 Gal. (757.0 liters)
Surface Area For Heat Transfer	52.29 sq. ft. (4.86 m ²)
Heat Dissipation	Sq. Ft. of Vertical Steel x $\Delta T / 1000$
Basic Weight (Less Oil, Pump, and Motor)	1025 lbs. (464.9 kg)
Usable Gallons	21.71 Gal. (82.2 liters)
Gallons Per Inch Rise	6.43 Gal. (24.3 liters)
Capacity, Full to Top Plate	230.71 Gal. (873.2 liters)
Capacity, High on Sight Gauge	195.74 Gal. (740.9 liters)
Capacity, Low on Sight Gauge	174.03 Gal. (658.7 liters)
Pump Data*	
Flow Range	Up to 75 gpm (283.9 lpm)
Pressure Range	Up to 2500 psi (172 bar)
Power Range	Up to 125 HP (93.2 kW)

* See Continental Hydraulics Vane Pump or Piston Pump Catalogs for complete codes and specifications.

L-Shaped Power Units

10 TO 200 GALLON CAPACITY

Ordering Code Information - Standard Unit



Code	Description
LR	L-Shaped Series

Code	Description
Omit	No Drip Pan
DP	Drip Pan

Code	Description
A	Furnished Motor
B	Ship Less Motor
F	Install Customer Motor

Code	Description
H1	Petroleum Based Oil
H3	Phosphate Ester
H4	Water Glycol
H5	Automatic Transmission Fluid

Code	Description	Motor Size*
10	10 Gallons (37.8 liters)	10
20	20 Gallons (75.7 liters)	20
30	30 Gallons (113.5 liters)	50
45	45 Gallons (170.3 liters)	50
60	60 Gallons (227.1 liters)	50
80	90 Gallons (302.8 liters)	75
100	100 Gallons (378.5 liters)	75
120	120 Gallons (454.2 liters)	125
150	150 Gallons (567.7 liters)	125
200	200 Gallons (757.0 liters)	125

NOTE: See the Power Unit Accessories Catalog for complete descriptions and sizing information.

Select vane or piston pump from the appropriate Continental Hydraulics Pump Catalogs.

NOTE: Pump and motor ranges listed for each reservoir size are standard combinations. For special combinations, please discuss your application with your Continental Hydraulics distributor or the factory.

Code	Description
1	1 H.P. / 143TC
1.5	1.5 H.P. / 145TC
2	2 H.P. / 145TC
3	3 H.P. / 182TC
5	5 H.P. / 184TC
7.5	7.5 H.P. / 213TC
10	10 H.P. / 215TC
15	15 H.P. / 254TC
20	20 H.P. / 256TC
25	25 H.P. / 284TC
30	30 H.P. / 286TC
40	40 H.P. / 324TC
50	50 H.P. / 326TC
60	60 H.P. / 364TC
75	75 H.P. / 365TC
100	100 H.P. / 405TC
125	125 H.P. / 444TC

NOTE: Pump and motor ranges listed for each reservoir size are standard combinations. For special combinations, please discuss your application with your Continental Hydraulics distributor or the factory.

Code	Description
B	1800 RPM

Code	Description
MTC	"C" Faced - T.E.F.C. Totally Enclosed Fan Cooled

Code	Description
E	208-230/460/60/3 1 - 10 H.P.
F	230/460/60/3 15 - 75 H.P.

Typical Ordering Code

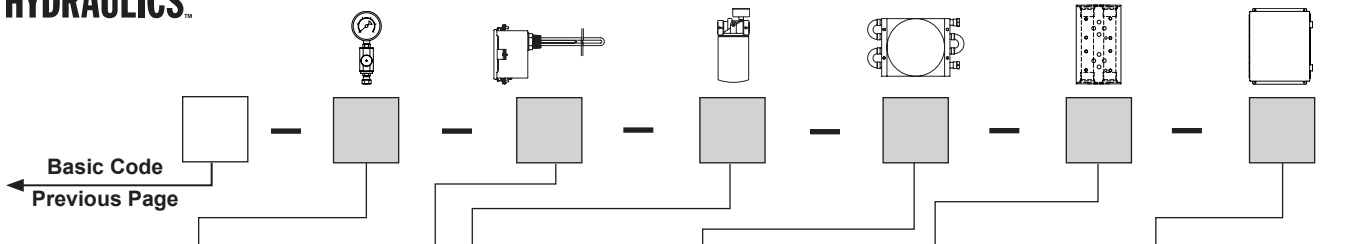
- LR80-A-20BMTCF-H1-G2N-FRC40-V5M2S-MS (Power Unit)
- PVR15-20B15-RF-0-5 (Vane Pump)
- VSD05M-3A-GB-33L (Directional Control Valve - Qty. 1)
- F05MSV-NDC-AA (Flow Control Valve - Qty. 1)
- BD05-400 (Bolt Kit - Qty. 1)
- VSD05M-3F-G-33L (Directional Control Valve - Qty. 1)
- BD05-175 (Bolt Kit - Qty. 1)
- MS-20-460-3-4 (Motor Starter - Qty. 1)



L-Shaped Style Power Units

10 TO 200 GALLON CAPACITY

Ordering Code Information - Options



Pressure

Code	Description
Omit	No Gauge
G1	Pressure Gauge 0 - 1000 psi, SAE-4
G1.5	Pressure Gauge 0 - 1500 psi, SAE-4
G2	Pressure Gauge 0 - 2000 psi, SAE-4
G3	Pressure Gauge 0 - 3000 psi, SAE-4
G5	Pressure Gauge 0 - 5000 psi, SAE-4
N	Needle Valve SAE-4
IV	Gauge Isolator, 14 NPT Push to Read/Detent
RV1	Relief Valve, SAE-8 150 - 4500 psi (10 - 310 bar)
RV2	Relief Valve, SAE-12 150 - 4500 psi (10 - 310 bar)
RV6	Relief Valve, SAE-16 150 - 4500 psi (10 - 310 bar)
AB	Air Bleed Valve, SAE-6 8 gpm (30.3 liters)

Heat Exchanger

Code	Description
Omit	No Heat Exchanger
HEW11C	Water-to-Oil Cooler HEW-11 For Case Drain
HEW11R	Water-to-Oil Cooler System Return
HEW21R	Water-to-Oil Cooler HEW-21 For System Return With Bypass
HEW31R	Water-to-Oil Cooler HEW-31 For System Return With Bypass
HEW33R	Water-to-Oil Cooler HEW-33 For System Return With Bypass
MHE2	Water Modulating Valve 1/2 NPT 25 gpm (94.6 liters)
MHE3	Water Modulating Valve 3/4 NPT 40 gpm (151.4 liters)
MHE4	Water Modulating Valve 1 NPT 55 gpm (208.2 liters)
Y2	Water "Y" Strainer 1/2 NPT
Y3	Water "Y" Strainer 3/4 NPT
Y4	Water "Y" Strainer 1 NPT
HEA41C	Air-to-Oil Cooler HEA-41 For Case Drain
HEA42C	Air-to-Oil Cooler HEA-42 For Case Drain
HEA44C	Air-to-Oil Cooler HEA-44 For Case Drain
HEA19C	Air-to-Oil Cooler SAE-12, 10 psi (.7 bar) Bypass For Case Drain
HEA41R	Air-to-Oil Cooler HEA-41 For System Return
HEA42R	Air-to-Oil Cooler HEA-42 For System Return
HEA19R	Air-to-Oil Cooler SAE-12, 30 psi (2 bar) Bypass For System Return
HEA22R	Air-to-Oil Cooler SAE-12, 30 psi (2 bar) Bypass For System Return
HEA24R	Air-to-Oil Cooler SAE-12, 30 psi (2 bar) Bypass For System Return
HEA33R	Air-to-Oil Cooler SAE-16, 30 psi (2 bar) Bypass For System Return
HEA37R	Air-to-Oil Cooler SAE-20, 30 psi (2 bar) Bypass For System Return
HEA50R	Air-to-Oil Cooler SAE-20, 30 psi (2 bar) Bypass For System Return
HEA54R	Air-to-Oil Cooler SAE-24, 30 psi (2 bar) Bypass For System Return
HEA57R	Air-to-Oil Cooler SAE-32, 30 psi (2 bar) Bypass For System Return
HEA70R	Air-to-Oil Cooler SAE-32, 30 psi (2 bar) Bypass For System Return

Motor Starter

Code	Description
Omit	No Motor Starter
MS	Motor Starter (See Power Unit Accessories Catalog For Selection and Sizing - Add Model Code as Required)

Valve Mounting

Code	Description
Omit	No Manifold
S3S	Valve Subplate D03 - SAE-8 Ports
S5S	Valve Subplate D05 - SAE-8 Ports
S8S	Valve Subplate D08 - SAE-20 Ports
V3M1S	D03 Valve Manifold 1 Station SAE-8 Ports
V3M2S	D03 Valve Manifold 2 Station SAE-8 Ports
V3M3S	D03 Valve Manifold 3 Station SAE-8 Ports
V3M4S	D03 Valve Manifold 4 Station SAE-8 Ports
V3M5S	D03 Valve Manifold 5 Station SAE-8 Ports
V3M6S	D03 Valve Manifold 6 Station SAE-8 Ports
V5M1S	D05 Valve Manifold 1 Station SAE-8 Ports
V5M2S	D05 Valve Manifold 2 Station SAE-8 Ports
V5M3S	D05 Valve Manifold 3 Station SAE-8 Ports
V5M4S	D05 Valve Manifold 4 Station SAE-8 Ports
V5M5S	D05 Valve Manifold 5 Station SAE-8 Ports
V5M6S	D05 Valve Manifold 6 Station SAE-8 Ports
V8M1S	D08 Valve Manifold 1 Station SAE-16 Ports
V8M2S	D08 Valve Manifold 2 Station SAE-16 Ports
V8M3S	D08 Valve Manifold 3 Station SAE-16 Ports

Mechanical or Electrical

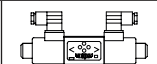
Code	Description
Omit	No Mechanic or Electrical Options
D	Tank Drain 3/4 NPT
M	Magnet Separator
CV06	Check Valve SAE-6 3000 psi (207 Bar) 7 psi (.5 bar) Crack
CV08	Check Valve SAE-8 3000 psi (207 Bar) 7 psi (.5 bar) Crack
CV12	Check Valve SAE-12 3000 psi (207 Bar) 7 psi (.5 bar) Crack
CV16	Check Valve SAE-16 3000 psi (207 Bar) 7 psi (.5 bar) Crack
CV20	Check Valve SAE-20 3000 psi (207 Bar) 7 psi (.5 bar) Crack
CV24	Check Valve SAE-24 3000 psi (207 Bar) 7 psi (.5 bar) Crack
BV08	Ball Valve SAE-8, 6000 psi (414 Bar)*
BV12	Ball Valve SAE-12, 6000 psi (414 Bar)*
BV16	Ball Valve SAE-16, 6000 psi (414 Bar)*
BV20	Ball Valve SAE-20, 6000 psi (414 Bar)*
BV24	Ball Valve SAE-24, 6000 psi (414 Bar)*
BV32	Ball Valve SAE-32, 6000 psi (414 Bar)*
FM1	Flow Meter 0 - 10 gpm (0 - 37.8 liters)
FM2	Flow Meter 2 - 30 gpm (7.8 - 113.5 liters)
FM3	Flow Meter 10-75 gpm (37.8-283.9 liters)
LT	Level/Temperature Switch
PS1	Pressure Switch
TS1	Temperature Switch
TH	Tank Heater

Filter

Code	Description
Omit	No Filters
FR*10	Return Filter 10 gpm (37.8 liters)
FR*40	Return Filter 40 gpm (151.4 liters)
FR*80	Return Filter 80 gpm (302.8 liters)
FP*10	Pressure Filter 10 gpm (37.8 liters)
FP*20	Pressure Filter 20 gpm (75.7 liters)
FP*50	Pressure Filter 50 gpm (189.2 liters)
FP*70	Pressure Filter 70 gpm (264.9 liters)

NOTE: All have 10 Micron element with indicator.

*	
C	Visual Indicator
E	Electrical indicator



Select valves as required from the appropriate Continental Hydraulics Catalogs.

For subplate/manifold dimensions and specifications, see the Continental Hydraulics Subplate and Manifold Catalog.

NOTE: See the Power Unit Accessories Catalog for complete descriptions and sizing information.
Add model code as required.

L-Shaped Power Units

10 TO 200 GALLON CAPACITY

Notes





L-Shaped Style Power Units

10 TO 200 GALLON CAPACITY

Notes



Continental Hydraulics Division

5505 West 123rd Street
Savage, MN 55378 U.S.A.

Phone: (952) 895-6400 Fax: (952) 895-6444

www.continentalhydraulics.com

Because Continental Hydraulics is continually improving its products,
specifications and appearance are subject to change without notice.